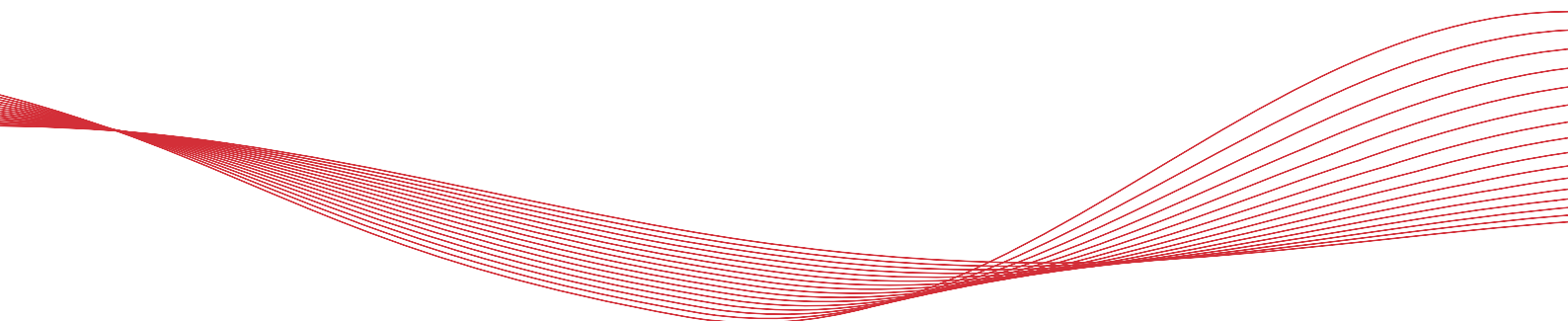


**UPDATE
YOUR HERU**

To ensure optimal function and performance of your Heru Air Handling Unit, please download and install the latest software version
ostberg.com/updates



Other languages in digital format can be downloaded at www.ostberg.com



Installation EN.....	5
Installation SE	46
Installasjon NO	90
Commissioning protocol HERU S and T	130
Driftsättningsprotokoll HERU S och T	131
Igangsettingsprotokoll HERU S og T	132
Note / Anteckningar / Anteckningar	133

The manufacturer cannot be held liable for injury and damage to people or property that are caused by incorrect installation, start up and/or incorrect use of the unit and/or failure to follow the processes and instructions that are set out in the user manual "Operation & maintenance". For safety reasons it is essential to follow the instructions in the user manual.

The warranty will be immediately invalidated in the event of injury that is caused by failure to follow the instructions. Installation and commissioning must be performed by an authorized personnel according to local regulations in order for the warranty to apply.



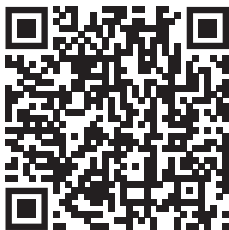
CAUTION!

The commissioning protocols must be completed for the warranty to apply.
Available at the end of the manual.

Shortcuts:

- **Log in Installation menu:** Enter code 1991.
- **Log in Service menu:** Enter code 1199.
- **Download the latest firmware version:** [Firmware](#).
- **Download complete Modbus register:** [Modbus](#).
- **Download the app:** [HERU IQ App](#)

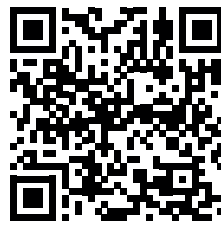
FIRMWARE



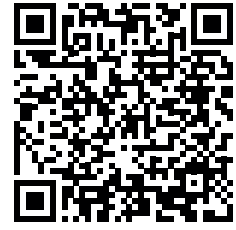
MODBUS



APPLE

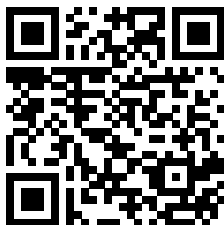


GOOGLE



- Download wiring diagrams via the links below.
- Links to product information www.ostberg.com

HERU S



HERU T

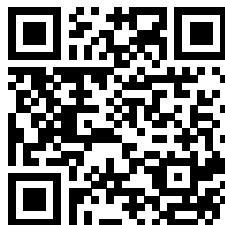


Table of Content

1 Safety	6
1.1 Warnings.....	6
1.2 General safety.....	6
1.3 Product label.....	7
Declaration of conformity.....	8
2 Transport and storage	9
2.1 General.....	9
2.2 Checking the delivery.....	9
3 Installation	10
3.1 System overview	11
3.2 Preparation and placement	12
3.3 Charging the wireless display	14
3.4 HERU S.....	14
3.4.1 Dismounting the unit to reduce the weight when installing HERU S.....	14
3.4.2 Installation HERU S.....	16
3.4.3 For the opposite flow direction, the electric heater must be moved and switched	19
3.4.4 Mounting the parts after installing HERU S.....	20
3.5 HERU T.....	21
3.5.1 Dismounting the unit to reduce the weight when installing HERU T.....	21
3.5.2 Installation HERU T.....	23
3.5.3 Mounting the parts after installing HERU T.....	27
3.6 Connecting the unit to the power source	29
3.7 Connecting Modbus to external control equipment	30
3.8 Final routines	31
4 Commissioning	30
4.1 Starting the HERU unit for the first time.....	32
4.2 Configuring the unit.....	33
4.3 Adapting the unit for airflow in the opposite direction	34
4.4 Configuring the unit for Modbus.....	34
5 Technical data	35
6 Select Menu overview	37
7 Control diagram	43
8 Connections main board	44

1 Safety

1.1 Warnings



WARNING!

A warning states a risk of personal injury.



CAUTION!

A caution states a risk of damage to equipment.

1.2 General safety



WARNING!

All electrical installations must be performed by a qualified electrician.



WARNING!

Power must be cut to the unit for two minutes before work can be started.



WARNING!

Ensure that the power cable is not damaged during mounting and installation.



WARNING!

The unit may not be started until the installation is completely finished and the ducts have been connected.



WARNING!

The safety switch must not be used for normal starting and stopping of the unit. Use the accompanying wireless display.



WARNING!

The safety switch must be switched off when the cover of the electrical distribution box or the doors/cover of the unit are opened/removed from the unit.



WARNING!

The unit must always be equipped with a type A or B, 30 mA residual current device (RCD). Units without plugs must be installed with a safety switch, which must be mounted close by.



WARNING!

Units with plugs must be fused with a C10 A-fuse.



WARNING!

Units without plugs must be fused with a 2xC10 A-fuse together with 2.5 mm² conductor.



WARNING!

All operations on the unit and its peripheral equipment must be performed in accordance with local laws and regulations.



WARNING!

Watch out for sharp edges and corners on the unit.

**WARNING!**

Pay attention to the weight of the unit and its parts during mounting and maintenance.

**WARNING!**

Rotating, hot and electrical components can cause serious injuries.

**WARNING!**

Ducts must be connected and doors/cover must be closed be locked before starting up the unit. Risk of personal injury from rotating parts.

**CAUTION!**

We recommend always installing a spring-return damper in the ducts for fresh air and exhaust air.

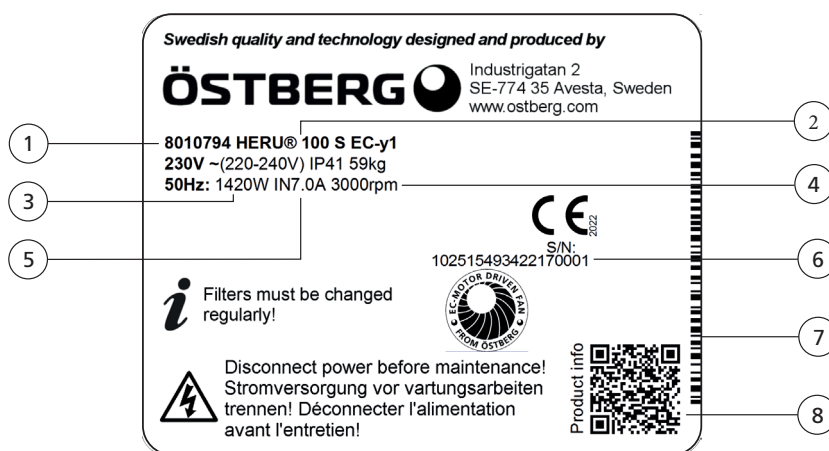
**CAUTION!**

Do not connect an exhaust air type tumble dryer or drying cabinet to the system due to the high air humidity.

**CAUTION!**

If the unit is installed when it is cold outside/in the winter and it will not immediately be put into use, the ducts must be plugged again otherwise there is a risk of condensation and the unit freezing.

1.3 Product label



Example of product label

- ① Item number
- ② Product name
- ③ Maximum power including heater
- ④ RPM at maximum power
- ⑤ Current at maximum power including heater
- ⑥ Serial number
- ⑦ Serial number as bar code
- ⑧ QR-code for product web page



EU DECLARATION OF CONFORMITY

We hereby confirm that our products comply with the requirements in the following EU-directives and harmonised standards and regulations.

Manufacturer: H. ÖSTBERG AB
Industrigatan 2
SE-774 35 Avesta, Sweden
Tel No +46 226 860 00
Fax No +46 226 860 05
<http://www.ostberg.com>
info@ostberg.com
VAT No SE556301220101



Products: Bidirectional ventilation unit RVU: HERU® 95 T EC, HERU® 100 T EC, HERU® 160 T EC, HERU® 200 T EC, HERU® 300 T EC, HERU® 100 S EC, HERU® 160 S EC, HERU® 200 S EC, HERU® 300 S EC, HERU® 70 K EC, HERU® 50 LP EC, HERU® 90 LP EC, HERU® 180 S EC 2, HERU® 250 T EC, HERU® 130 S EC, HERU® 250 S EC
Bidirectional ventilation unit NRVU: HERU® 400 T EC, HERU® 600 T EC, HERU® 800 T EC, HERU®, 1200 T EC, HERU® 400 S EC, HERU® 600 S EC, HERU® 800 S EC, HERU® 1200 S EC, HERU® Select

This EU declaration is applicable for products including our accessories for mounting and installation only if the installation is made in accordance with the enclosed installation instructions and that the product has not been modified.

Radio Equipment Directive (RED) 2014/53/EU

Harmonised standards:

- EN 300 220-2:2018 V3.1.1
- EN 303 446-1:2019 (EN 55014-1:2017, A11, EN 55014-2:2015, EN IEC 61000-3-2:2019, EN 61000-3-3:2013, A1)
- EN 301 489-3:2019

Machinery Directive (MD) 2006/42/EC

Harmonised standards:

- EN ISO 12100:2010
- EN ISO 13857:2019
- EN 60204-1:2018
- EN 60335-1:2012, AC 1, A 13 R1, A 11, A 12, A 13, A 1, A 14, A2, A15
- EN 60335-2-40:2003, A13, A2, A12, A1, A11, C1, C2
- EN 60335-2-30:2010, A11, A1, A12

Ecodesign Directive 2009/125/EC

Harmonised regulation:

- 1253/2014 Ecodesign requirements for ventilation units
- 1254/2014 Energy labeling of residential ventilation units

Standards:

- RVU: SS-EN 13141-7:2021 or NRVU: SS-EN 13053:2019

RoHS Directive 2011/65/EU

Harmonised standards:

- EN IEC 63000:2018

Avesta 2022-04-25

Mikael Östberg
Product Manager

2 Transport and storage

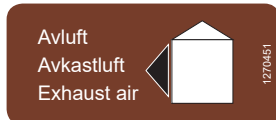
2.1 General

The HERU unit must be stored in a protected and dry space before installation.

2.2 Checking the delivery

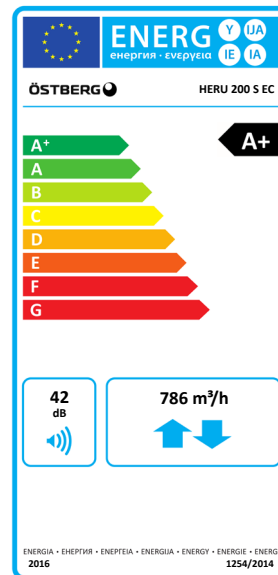
1. Inspect the unit carefully upon delivery to check for any damage that may have occurred during transport. Immediately inform the manufacturer in the event of severe damage.
NOTE! The manufacturer cannot be held liable for damage to the unit during transport, even if the manufacturer has appointed the shipping agent.
2. Check that the delivery contains all ordered parts.
The following parts will be included in the HERU delivery:

- Mounted HERU unit
- Labels:
 - Air direction labels



(only HERU T 100/160)

- Energy label (example)



- Cables:
 - Antenna cable
 - GT7 cable (only for HERU S)
 - Cord set with plug (excluding HERU S 200/300 and HERU T 200/300)
 - 2 filters
 - Touch display/Wireless display
 - Wall console for the unit (only for HERU T 100/160)
 - Wall console for the display
 - Charger
 - Vibration damper x2 (HERU T 100), x3 (HERU T 160)
 - Bluetooth dongle
 - Information sheet
 - Installation manual
 - Manual for operation and maintenance
3. Contact your dealer if anything is missing.

3 Installation

**WARNING!**

Power must be cut to the unit for two minutes before work can be started.

**WARNING!**

Make sure that the electricity is switched off during the entire assembly process.

**WARNING!**

The unit may not be started until the installation is completely finished and the ducts have been connected.

**WARNING!**

All electrical installations must be performed by a qualified electrician.

**WARNING!**

The safety switch must be switched off when the cover of the electrical distribution box or the doors/cover of the unit are opened/removed from the unit.

**WARNING!**

All operations on the unit and its peripheral equipment must be performed in accordance with local laws and regulations.

**WARNING!**

Rotating, hot and electrical components can cause serious injuries.

**CAUTION!**

Do not connect an exhaust air type tumble dryer or drying cabinet to the system due to the high air humidity.

**CAUTION!**

If the unit is installed when it is cold outside/in the winter and it will not immediately be put into use, the ducts must be plugged again otherwise there is a risk of condensation and the unit freezing.

**CAUTION!**

Installation and commissioning must be performed by an authorized personnel according to local regulations in order for the warranty to apply.

**CAUTION!**

The commissioning protocols must be completed for the warranty to apply.
Available at the end of the manual.

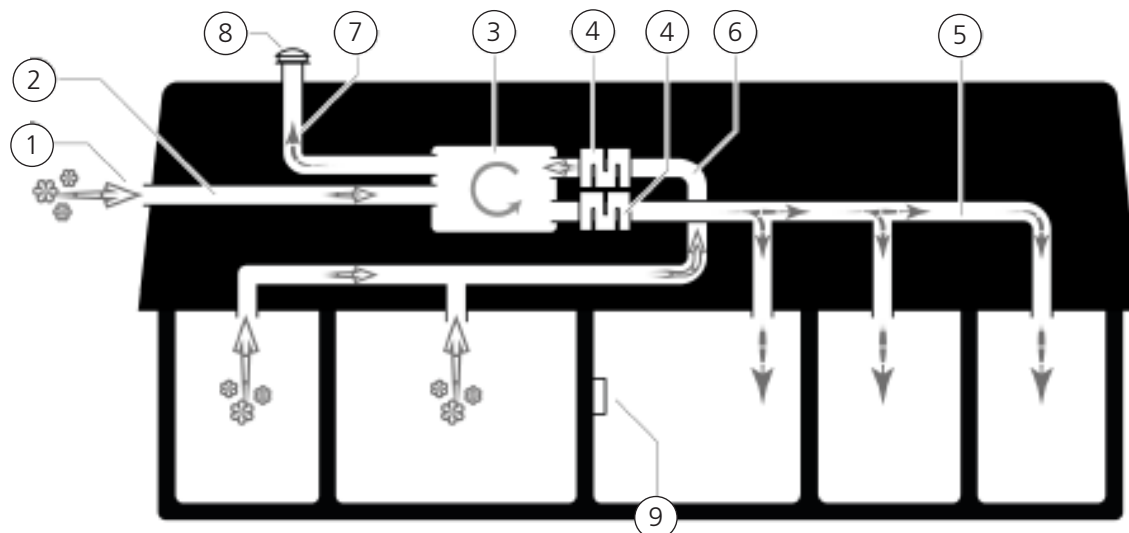
3.1 System overview



CAUTION!

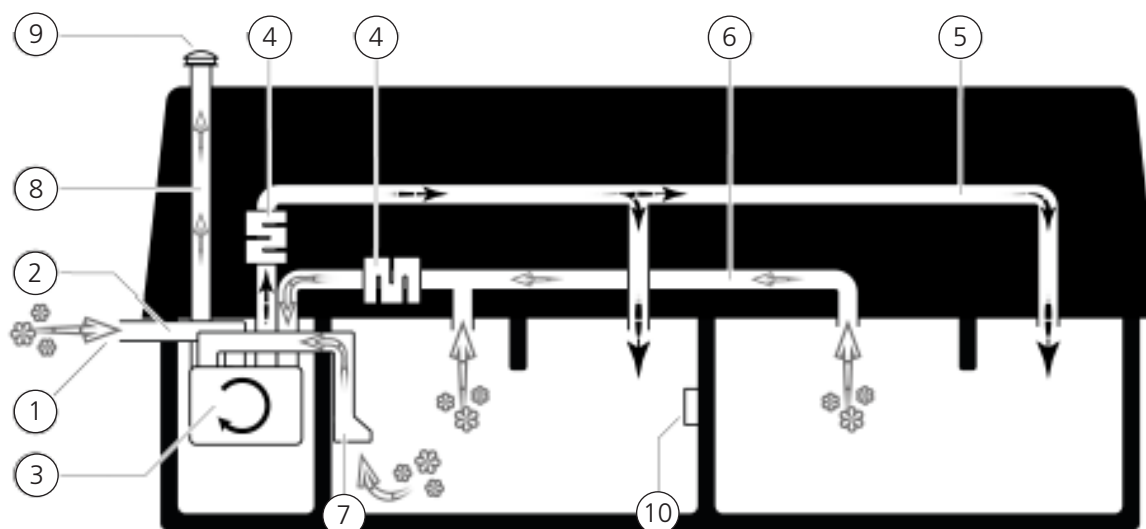
The commissioning protocols must be completed for the warranty to apply.
Available at the end of the manual.

HERU S for placement in warm or cold space, e.g. in the attic.



- | | |
|--------------------------------|--------------------------|
| 1. Intake grille for fresh air | 6. Extract air duct |
| 2. Fresh air duct | 7. Exhaust air duct |
| 3. HERU S energy recovery unit | 8. Roof hood exhaust air |
| 4. Silencers | 9. Wireless IQC display |
| 5. Supply air duct | |

HERU T for placement in warm space, e.g. in the laundry.



- | | |
|--------------------------------|----------------------------|
| 1. Intake grille for fresh air | 6. Extract air duct |
| 2. Fresh air duct | 7. Cooker hood extract air |
| 3. HERU T energy recovery unit | 8. Exhaust air duct |
| 4. Silencers | 9. Roof hood exhaust air |
| 5. Supply air duct | 10. Wireless IQC display |

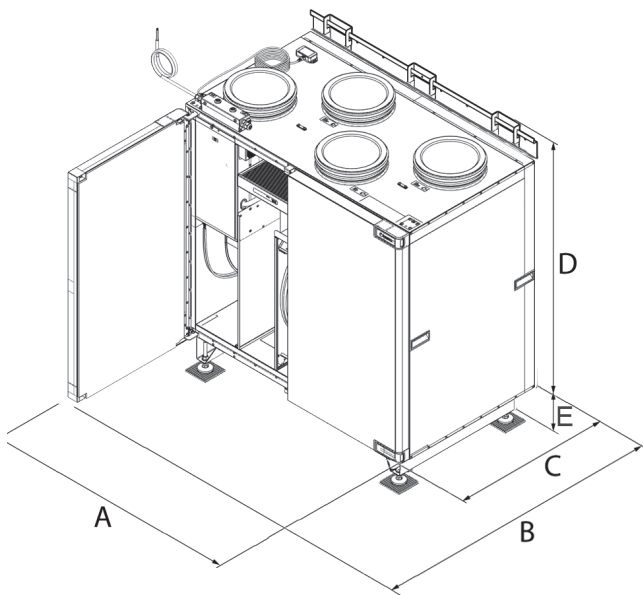
3.2 Preparation and placement

When placing the ventilation unit, make sure that there is enough space to open doors and lids, to access or replace filters, fans, rotors and connections. Observe dimension (A) especially when mounting the HERU S on attics and under pitched roofs.

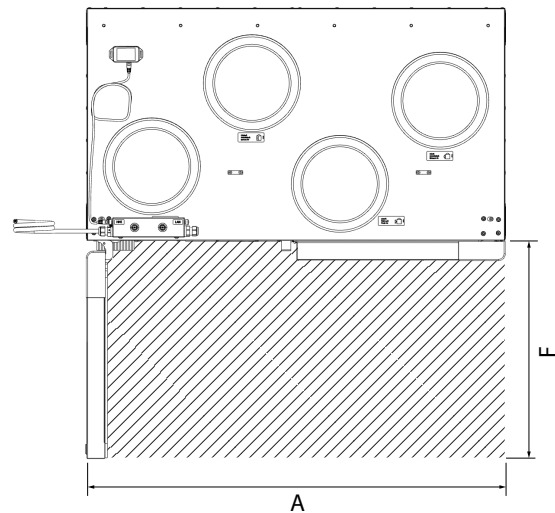
Dimensions (A) and (F) - view B for HERU T and view E for HERU S, show the zone that must be free to be able to service the unit. When mounting the HERU S, remember to mount the unit so that the junction box is facing the service aisle or such. Opposite flow direction (left) can be selected to achieve a better placement of the duct connections - see section 3.4.3. For placement of the temperature sensor in the supply air duct and placement of the antenna, see 3.4.2

See pictures and measurement instructions.

HERU T



View A – Dimensional sketch.



View B – Service area

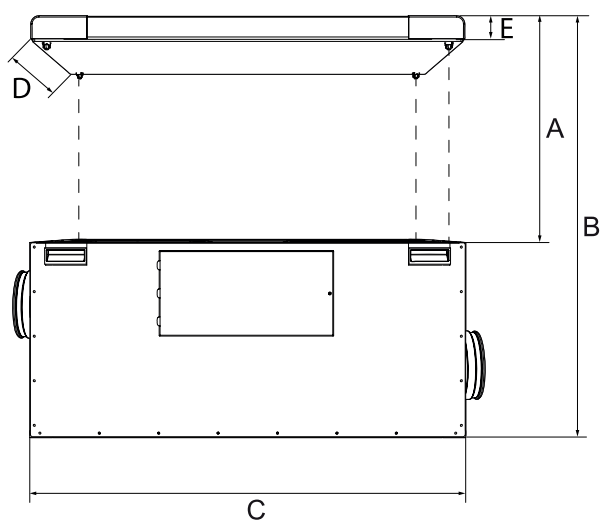
Mounting distance for HERU T

Modell	A	B	C	D	E	F
HERU 100 T EC RE/LE	796	990	492	759	–	498
HERU 160 T EC RE/LE	942	1130	559	919	–	571
HERU 200 T EC RE/LE	1124	1344	682	1135	100	662
HERU 300 T EC RE/LE	1124	1344	682	1135	100	662

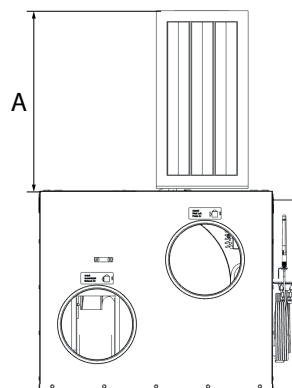


CAUTION!

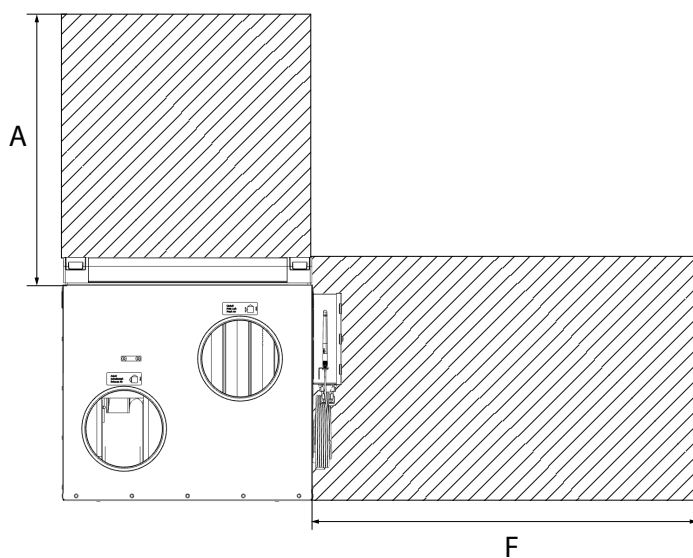
The commissioning protocols must be completed for the warranty to apply.
Available at the end of the manual.



View C – Dimensional sketch.



View D – Dimensions with removed filter.



View E – Service areas.

Mounting distance for HERU S

Model (mm)	A	B	C	D	E	F
HERU 100 S EC	415	850	969	507	51	1000
HERU 160 S EC	519	1038	1131	574	51	1000
HERU 200 S EC	728	1456	1250	680	51	1000
HERU 300 S EC	728	1456	1250	680	51	1000



CAUTION!

The commissioning protocols must be completed for the warranty to apply.
Available at the end of the manual.

3.3 Charging the wireless IQC display

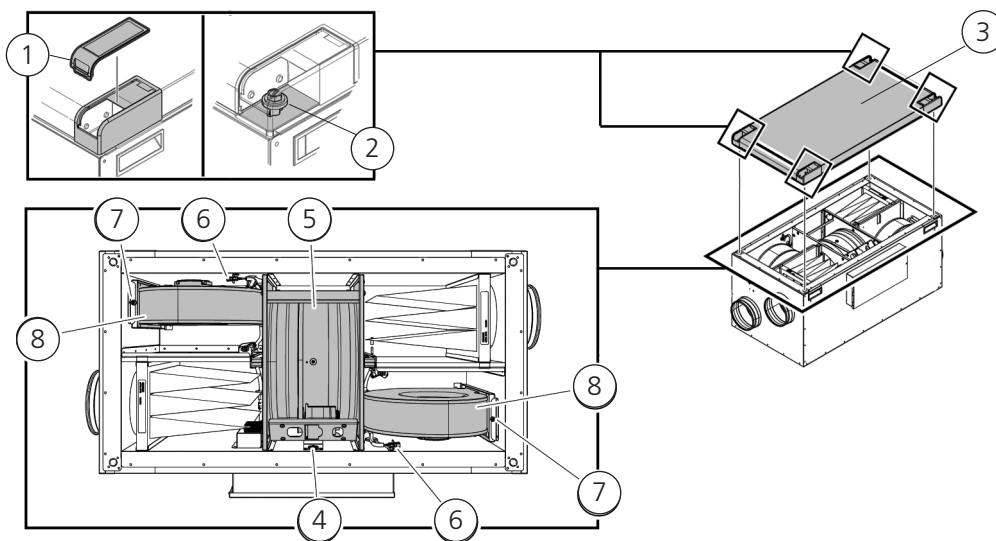
Preparations :

No preparations are required.

1. Connect the charger's mini USB connector to the wireless IQC display.
2. Connect the charger to the wall socket.

3.4 HERU S

3.4.1 Dismounting the unit to reduce the weight when installing HERU S.



Method for dismounting unit

- ① Plastic cover
- ② Screws
- ③ Unit lid
- ④ Quick connector for rotor cassette
- ⑤ Rotor cassette
- ⑥ Quick connector for fan
- ⑦ Screw Torx T25
- ⑧ Fan

Preparations:

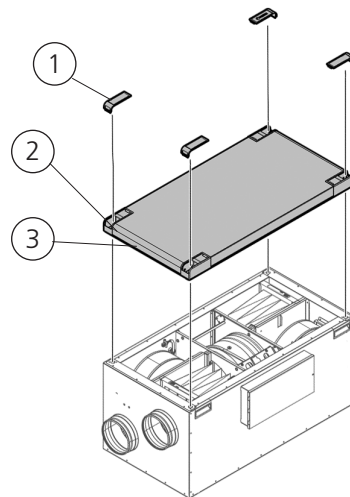
Tool

- Torx T25 screwdriver
- Flat-blade screwdriver/13 mm socket

No preparations are required.

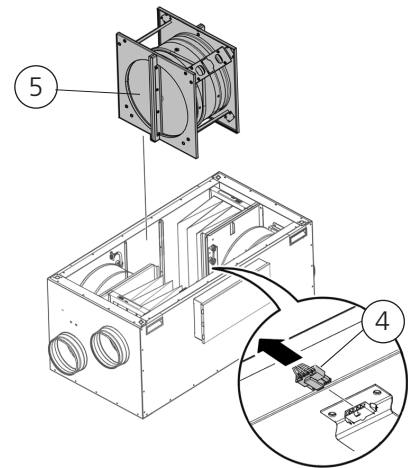
Remove the lid of the unit.

- ① Remove the plastic corner cover.
- ② Unscrew the screws holding the unit lid.
- ③ Lift off the lid.



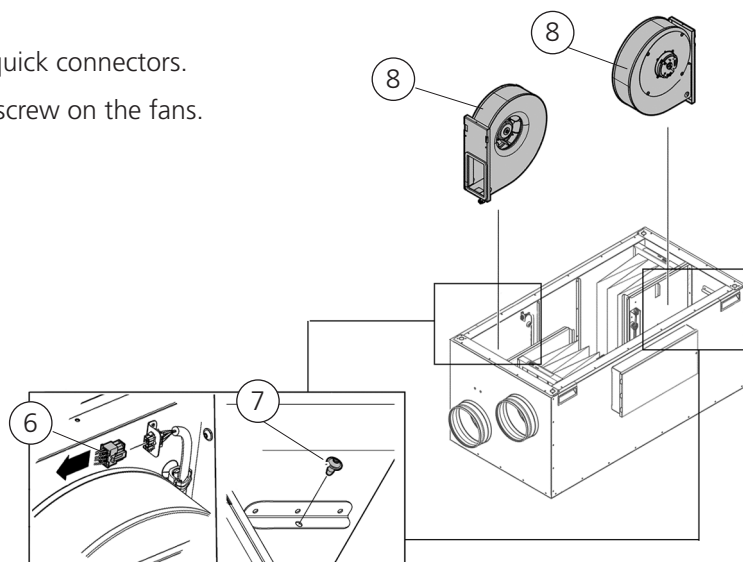
Remove the rotor cassette.

- ④ Disconnect the rotor cassette's quick connector.
- ⑤ Take out the rotor cassette.



Remove the fans.

- ⑥ Disconnect the fans' quick connectors.
- ⑦ Remove the Torx T25 screw on the fans.
- ⑧ Take out the fans.



3.4.2 Installation HERU S



CAUTION!

The cooker hood must not be connected to the unit due to the increased cleaning requirement.

Preparations:

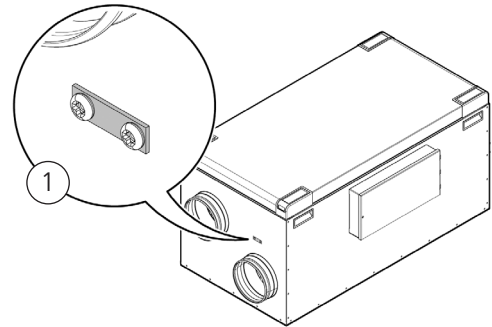
- Place insulation board on the installation surface.
- The mounting distance, see **3.2 Preparation and placement**, must be followed.
- HERU S can be mounted in a cold or warm space.
- Local regulations for siting, access and electrical connections must be followed when installing HERU S.
- The dimensioned airflow should not exceed 75% of the unit's maximum capacity.
- When installing in warm and moist places, for example a bathroom or utility room, condensation may occur on the outside of the unit at low outdoor temperatures.
- If the unit is installed in cold weather and cannot immediately be put into use, the ducts must be plugged again otherwise there is a risk of condensation.
- We recommend always installing a spring-return damper in ducts for fresh air and exhaust air.
- If there are major differences between ambient temperature and the temperature in the ducts for the supply and extract air, these must be insulated to prevent condensation.
- The ducts for fresh air and exhaust air must always be insulated against condensation.
- The ducts must be insulated all the way up to the unit.

Heating coil and damper

If a heating coil is connected, a damper with spring return must be fitted to the outdoor and exhaust ducts."

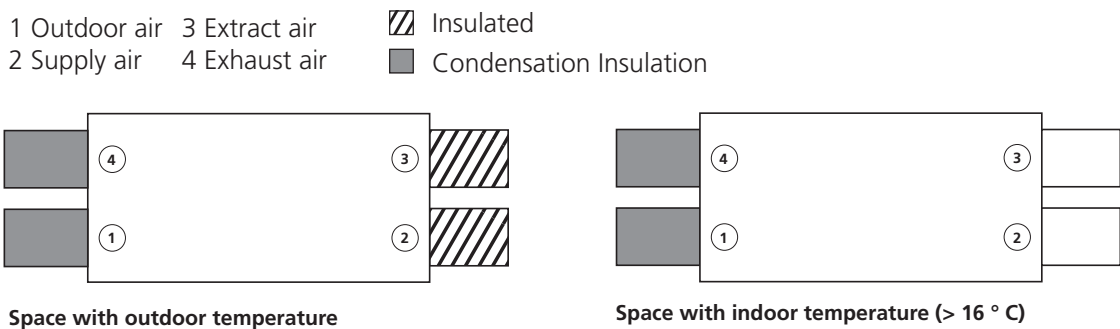
Ground points for ducts

Connect the ducts to one of the external ground points (1) on the unit.



Duct insulation

All ducts should be insulated according to industry standards. The pictures show a minimum to ensure full function on the unit.



Tool

- Ø9 mm drill bit
- Spirit level
- Torx T25 screwdriver

Material – HERU 100 S och 160 S

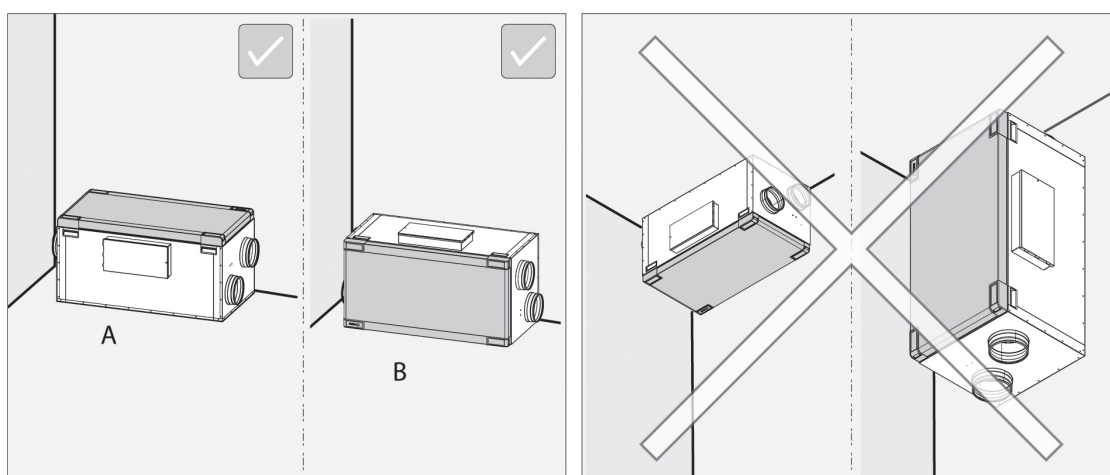
- Insulation board, minimum 50 mm.
- Cable tie
- Pipe clip or flange with surrounding insulation

Material – Floor standing HERU 200 S and 300 S

- Insulation board, minimum 50 mm. Not if Floor stand is used
- Cable tie
- Floor stand (available as accessory)
- Pipe clip or flange with surrounding insulation

Placing

Installing HERU S with the lid upwards (A) or to the side (B).



WARNING!

Do not install the unit vertically or with the cover downwards due to the risk of injury.

NOTE!

Ensure that there is space for service and maintenance around the unit.
See **3.2 Preparation and placement**

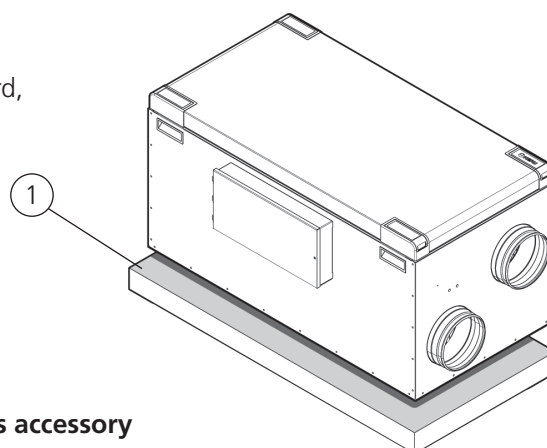
Floor standing HERU S

Place the unit on a shock-resistant insulation board, minimum 50 mm (1).

Ensure that the unit is level in both the x and y axes. Use a spirit level.

NOTE!

The base for the unit must be level and stable.



Floor standing HERU 200 S and 300 S with floor stand as accessory

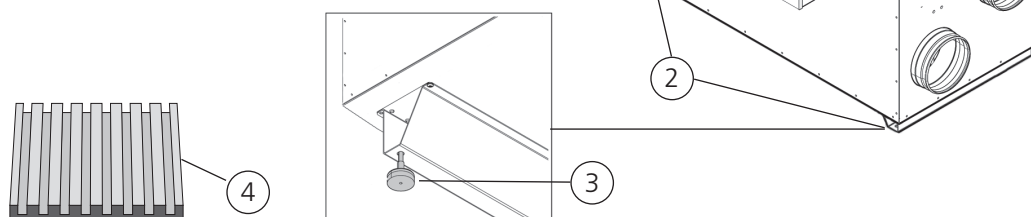
Mount the floor stand with accompanying screws (3).

Ensure that the unit is level in both the x and y axes.
Use a spirit level. Adjust the feet (pos 3) if required.

NOTE!

The underlay for the unit must be even and stable.

The vibration damping mat (Novibramatta) (4) accessory can be placed underneath feet to reduce vibration against the floorboard.



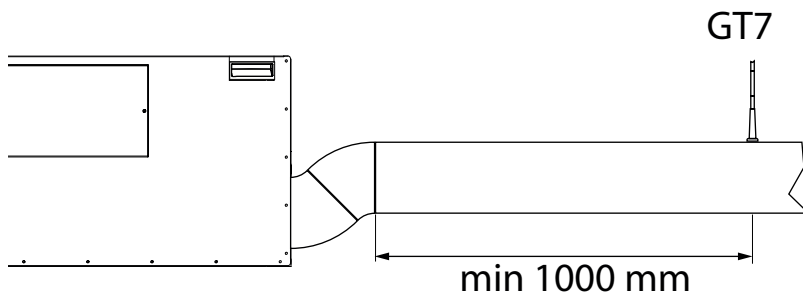
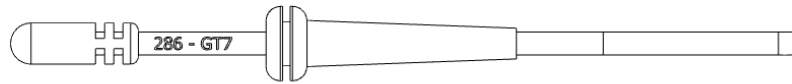
Connect the ducts to the unit.

Use a pipe clip or flange with surrounding insulation.

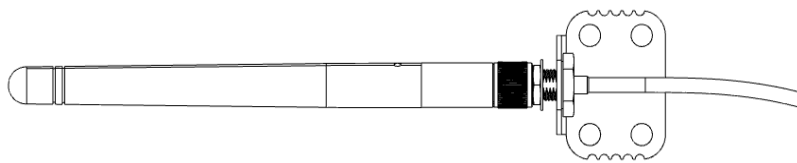
Mount the duct sensor GT7

Mount the duct sensor GT7 in the supply air duct. See **8 Control diagram**.

- Prepare the duct. Drill a $\varnothing 9$ mm hole; site it approx. 1000 mm after the unit, cooling or heating coil.
- Mount the duct sensor in the drilled hole. The duct sensor must be placed centrally in the duct.
- Attach the duct sensor. Secure with a cable tie around the cable bushing.

**Mount the antenna**

Attach the antenna in a suitable place on the side of the unit. Place the antenna as centrally as possible to maximise the signal in the building. An extension cord is available as an accessory, if required. See web; **Extension Cord – Antenna IQC**

**CAUTION!**

The antenna must not be attached against any metal surface or object, as this will block the signal.

**CAUTION!**

The antenna must not be left loose on or next to the unit.

3.4.3 For the opposite flow direction, the electric heater must be moved and switched

NOTE!

The unit is configured for airflow in the standard direction on delivery.
The electric heater must be moved if the airflow needs to be changed to the opposite direction.

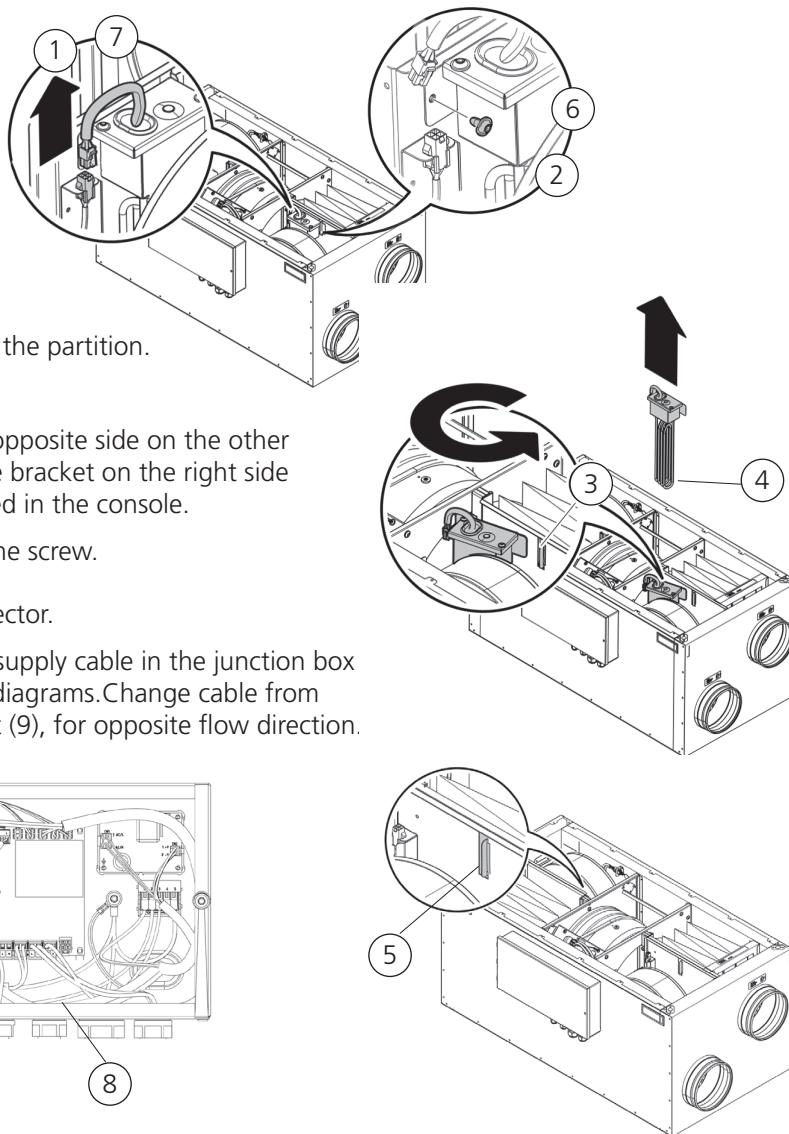
Preparations:

Tool

- Torx T25 screwdriver

No preparations are required.

1. Disconnect the quick connector.
2. Unscrew the screw.
3. Remove the heater from the partition.
4. Lift out the heater.
5. Move the heater to the opposite side on the other partition. Ensure that the bracket on the right side of the heater is positioned in the console.
6. Secure the heater with the screw.
7. Connect the quick connector.
8. Move the heater power supply cable in the junction box according to the wiring diagrams. Change cable from HR2 to HL2 in the socket (9), for opposite flow direction.

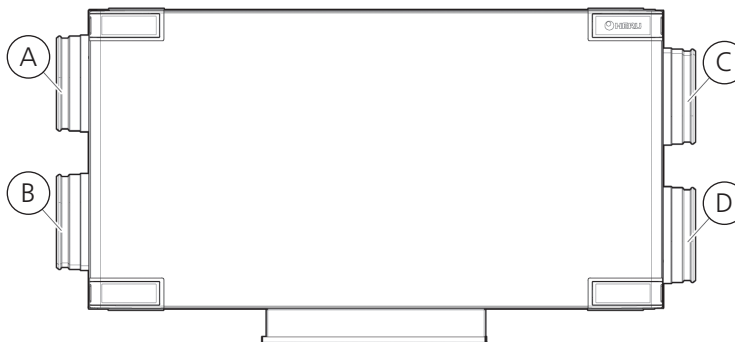


NOTE!

For more information on how to configure the unit for opposite flow direction, see **5.3 Adapting the unit for airflow in the opposite direction**.

The duct connections in opposite flow direction.

- A Supply air
- B Extract air
- C Outdoor air
- D Exhaust air



Change the labels for flow direction on the HERU S unit to four new labels from the accessory box. Place them according to the figure for opposite flow direction.

3.4.4 Mounting the parts after installing HERU S

Preparations:

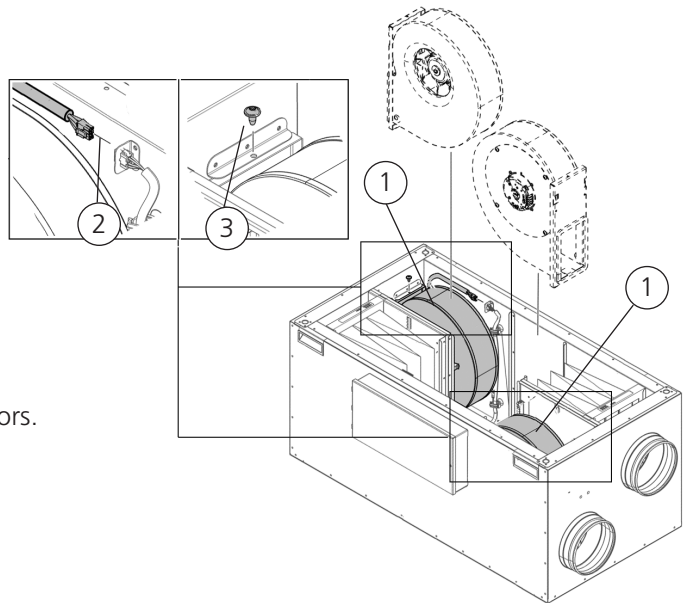
Tool

- Torx T25 screwdriver

No preparations are required.

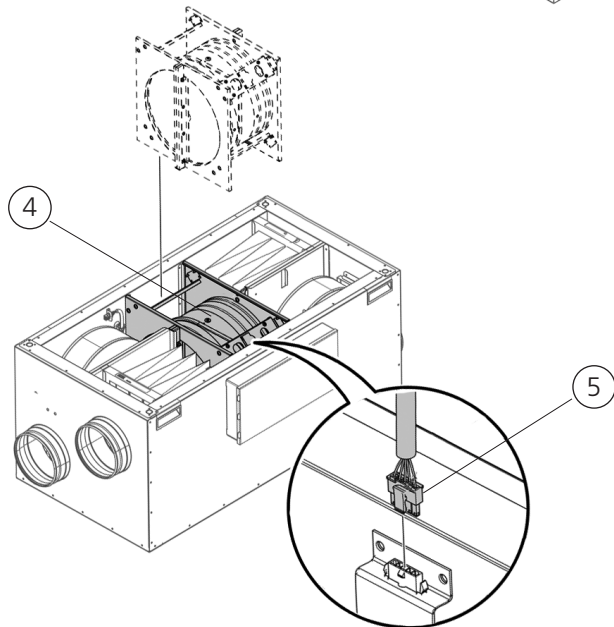
Mount the fans.

- 1 Insert the fans.
- 2 Screw in the fans with the Torx T25 screws.
- 3 Connect the fans' quick connectors.



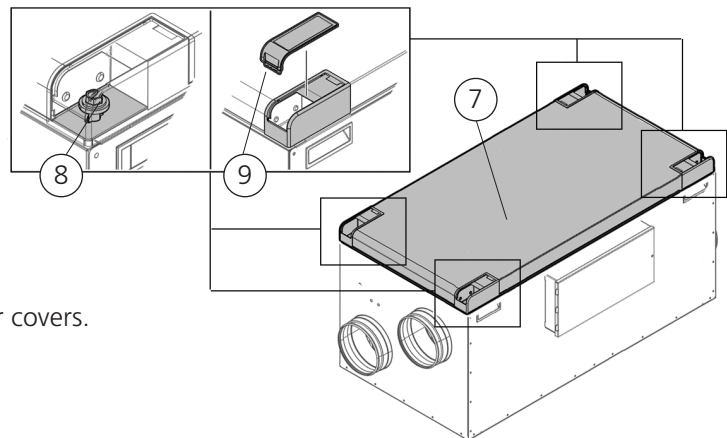
Mount the rotor cassette.

- 4 Insert the rotor cassette.
- 5 Connect the rotor cassette's quick connector.



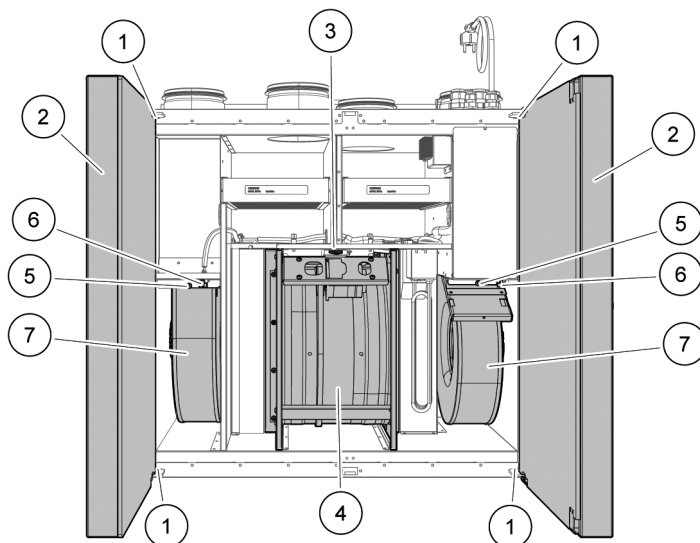
Mount the lid.

- 7 Place the lid on the unit.
- 8 Tighten the screws clockwise.
- 9 Click in the four plastic corner covers.



3.5 HERU T

3.5.1 Dismounting the unit to reduce the weight when installing HERU T



Method for dismounting unit

- ① Upper and lower door screw
- ② The unit's doors
- ③ The rotor cassette's quick connector
- ④ Rotor cassette
- ⑤ Torx T25 screw
- ⑥ Quick connector
- ⑦ Fans

Preparations:

Tool

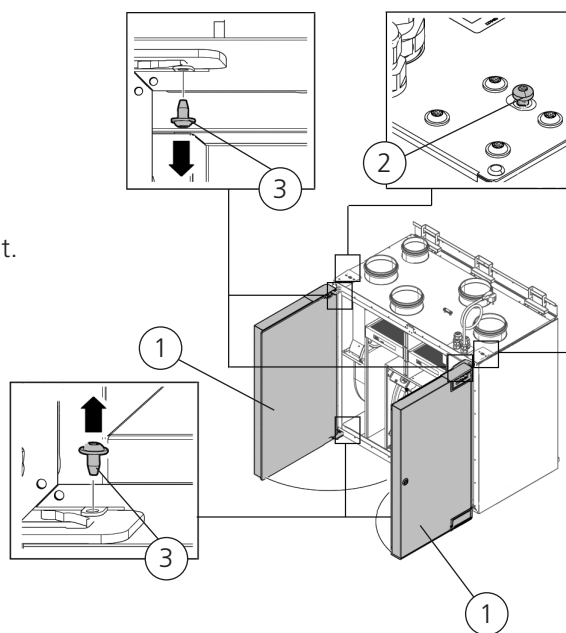
- Torx T25 screwdriver
- Flat-blade screwdriver
- Hex key 4 mm with ball end

No preparations are required.

Dismount the unit's doors

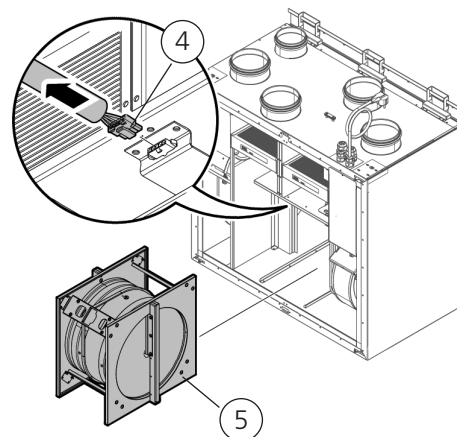
- ① Open the doors.
- ② Unscrew the screws.
- ③ Hold the door and remove the upper and lower screws.

Pull the door outwards to release it from the unit.



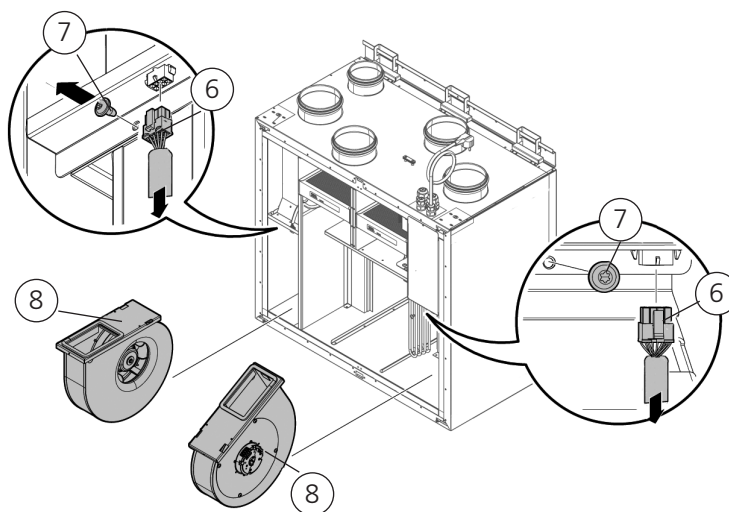
Remove the rotor cassette.

- ④ Remove the rotor cassette's quick connector.
- ⑤ Pull out the rotor cassette.



Remove the fans.

- ⑥ Remove the quick connectors for the fans.
- ⑦ Unscrew the Torx T25 screws on the fans.
- ⑧ Pull out the fans.



3.5.2 Installation HERU T

Preparations:

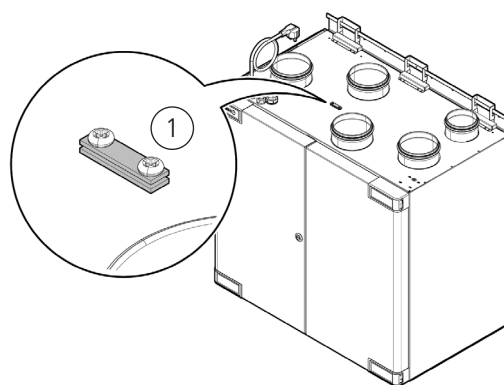
- The mounting distance, see **3.2 Preparation and placement**, must be followed.
 - HERU T must be mounted in a warm space.
 - Local regulations for siting, access and electrical connections must be followed when installing HERU T.
 - The dimensioned airflow should not exceed 75% of the unit's maximum capacity.
 - When installing in warm and moist places, for example a bathroom or utility room, condensation may occur on the outside of the unit at low outdoor temperatures. If the unit is installed in cold weather and cannot immediately be put into use, the ducts must be plugged again otherwise there is a risk of condensation.
 - If there are major differences between ambient temperature and the temperature in the ducts for the supply and extract air, these must be insulated to prevent condensation.
 - The ducts for fresh air and exhaust air must always be insulated against condensation.
 - The ducts must be insulated all the way up to the unit.
- No other preparations are required.

Tool

- Spirit level.
- Screwdriver Torx T25.

Heating coil and damper

If a heating coil is connected, a damper with spring return must be fitted to the outdoor and exhaust ducts."



Ground points for ducts

Connect the ducts to one of the external ground points (1) on the unit.

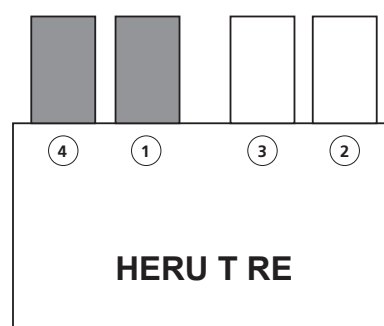
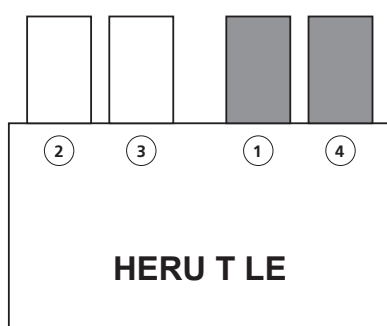
Duct insulation

All ducts should be insulated according to industry standards. The pictures show a minimum to ensure full function on the unit.

- 1 Outdoor air 3 Extract air
2 Supply air 4 Exhaust air

 Insulated

 Condensation insulated



Material - wall mounted HERU 100 and 160 T

- Fastener that is suitable for the construction and condition of the wall.
- Pipe clip or flange with surrounding insulation.

Material - floor standing HERU 160 T

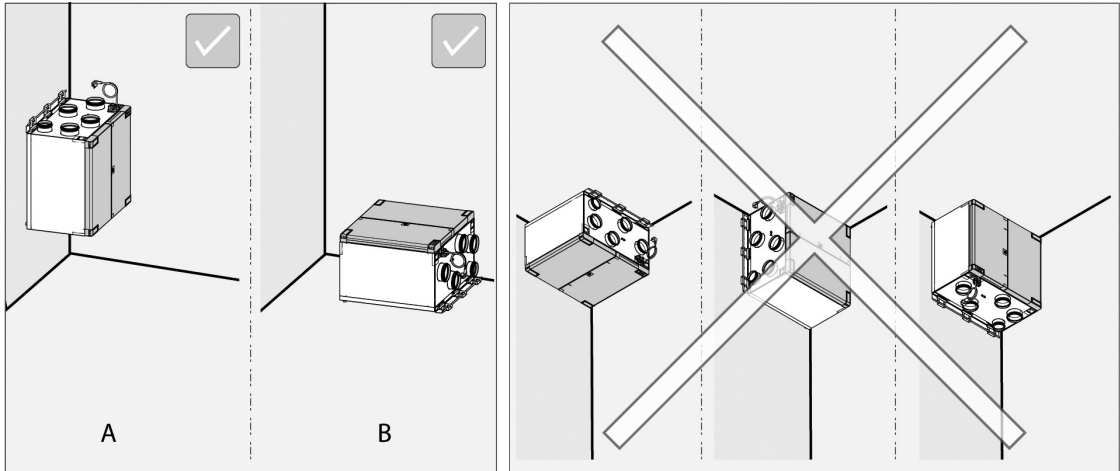
- Floor stand (available as accessory).
- Pipe clip or flange with surrounding insulation.

Material – Floor standing HERU 200 T and 300 T

- Pipe clip or flange with surrounding insulation.

Wall mounted HERU 100 and 160 T

1. Install HERU T with the duct connections upwards (A) or to the side with the doors upwards (B).



WARNING!

Do not install the unit with the duct connections or the doors down toward the ground due to the risk of injury.



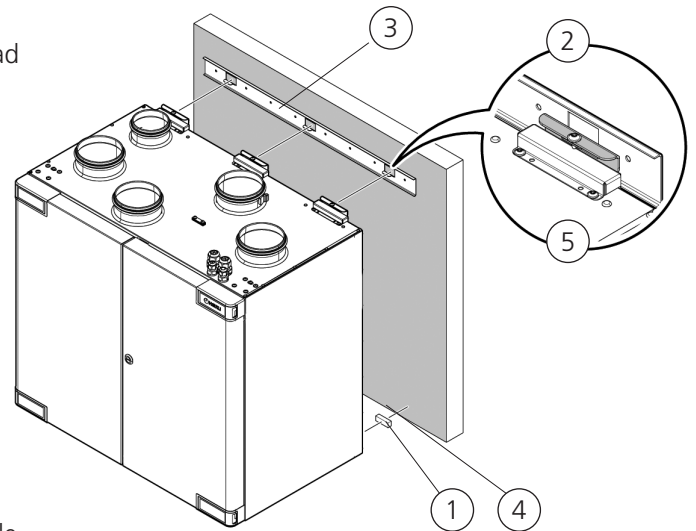
CAUTION

The unit must be mounted on an insulated wall. Avoid walls to bedrooms.

NOTE!

Ensure that there is space for service and maintenance. See **3.2 Preparation and placement**.

1. Secure the self-adhesive rubber pads in the rear lower corner with one rubber pad in each lower corner (HERU T 100, 160) and one in the middle (HERU 160 T).
2. Remove the screws (3 for HERU 100 T, 4 for HERU 160 T) and remove the wall console from the HERU unit.
3. Secure the wall console horizontally on the insulated wall with the correct number and type of fastener. The screw hole in the wall console must be positioned 27 mm above the top of the unit.



2. Angle the lower section of the unit away from the wall, suspend the unit on the console and allow the unit's lower section to fall back against the wall.
3. Adjust the unit sideways to achieve the correct position.
 4. Ensure that the self-adhesive rubber pads have good contact with the wall.
 5. Secure the unit on the wall console with the accompanying screws (3 screws for HERU 100 T and 4 screws for HERU 160 T).

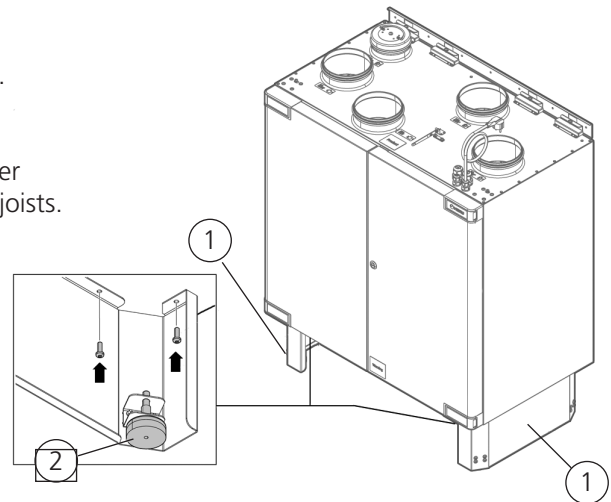
Floor standing HERU 160 T with floor stand as an accessory**NOTE!**

The base for the unit must be level and stable.

NOTE!

The Novibra mat accessory can be placed under the feet to minimise vibrations from the floor joists.

- ① Mount the floor stand with accompanying screws.
- ② Ensure that the unit is level in both the x and y axes.
Use a spirit level.
Adjust the feet if required.

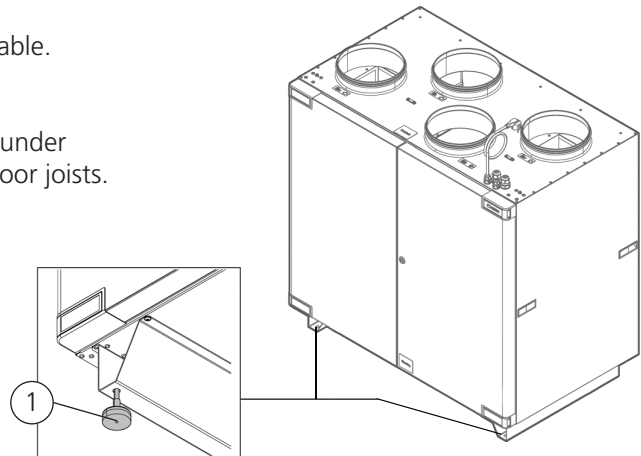
**Floor standing HERU 200 and 300 T with floor stand included****NOTE!**

The base for the unit must be level and stable.

NOTE!

The Novibra mat accessory can be placed under the feet to minimise vibrations from the floor joists.

- ① Ensure that the unit is level in both the x and y axes.
Use a spirit level.
Adjust the feet if required.



Cooker hood

HERU 100 and 160 T are equipped with a cooker hood connection as standard, where the air from the cooker hood does not pass through a filter or the rotating heat exchanger. When activating the cooker hood, the HERU unit's pre-set boost mode is started and creates extraction from the cooker hood.

The cooker hood must be:

- equipped with a damper. The cooker hood does NOT have an integrated fan.
- connected into the unit via a dual-core, 0.75 mm² cable.
- equipped with a voltage free contact that completes the circuit when the cooker hood is activated.

If a cooker hood is to be connected to the system, the insulated cover must be dismantled from the cooker hood connection, and a duct from the cooker hood mounted instead.



WARNING!

Ensure that the installation fulfils local and national fire safety requirements.



CAUTION!

A cooker hood connected to HERU T must not have an integrated fan.



CAUTION!

A cooker hood must NOT be connected to HERU 200 and 300 T.

1. Mount the cooker hood according to the manufacturer's instructions.
2. Pull the dual-core cable from the cooker hood in the HERU unit through one of the free cable bushings in the top of the unit.
3. Connect the cooker hood to the system by dismantling the insulated cover of the connection.
4. Mount a duct from the cooker hood on the unit's duct connection, labeled with cooker hood.
5. Unscrew the nut on the cable bushing and remove one of the bushing's plugs.
6. Pull through a suitable length of cable to connect the control card.
7. Pull out the detachable block at position D2 and connect the cable from the cooker hood to this.
8. Then press back the block into position D2.

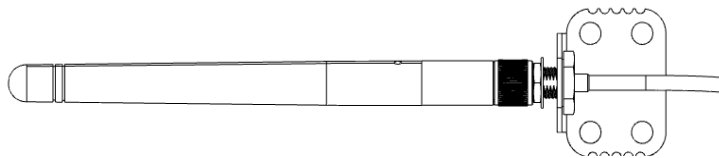
No further actions are required.

Connect the ducts to the unit.

Use a pipe clip or flange with surrounding insulation.

Mount the antenna

Attach the antenna in a suitable place on the side of the unit. Place the antenna as centrally as possible to maximise the signal in the building. An extension cord is available as an accessory, if required. See web; **Extension Cord – Antenna IQC**



CAUTION!

The antenna must not be attached against any metal surface or object, as this will block the signal.



CAUTION!

The antenna must not be left loose on or next to the unit.

3.5.3 Mounting the parts after installing HERU T

Preparations:

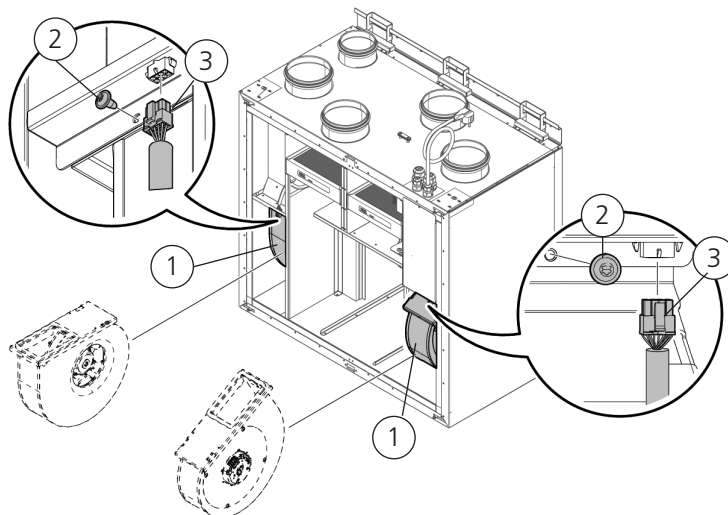
No other preparations are required.

Tool

- Torx T25 screwdriver
- Hex key 4 mm with ball end

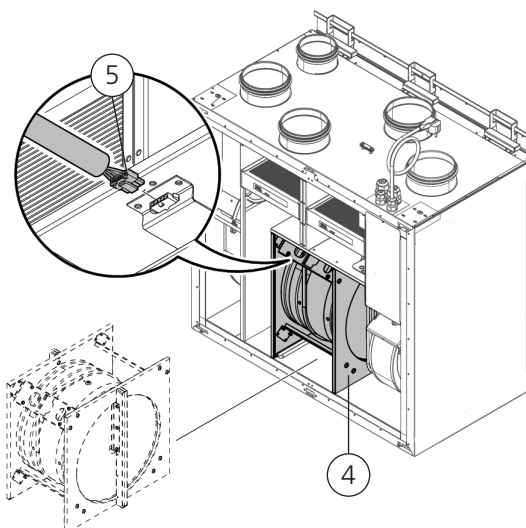
Mount the fans.

- ① Insert the fans.
- ② Screw tight the Torx T25 screws on fans.
- ③ Connect the fans' quick connectors.



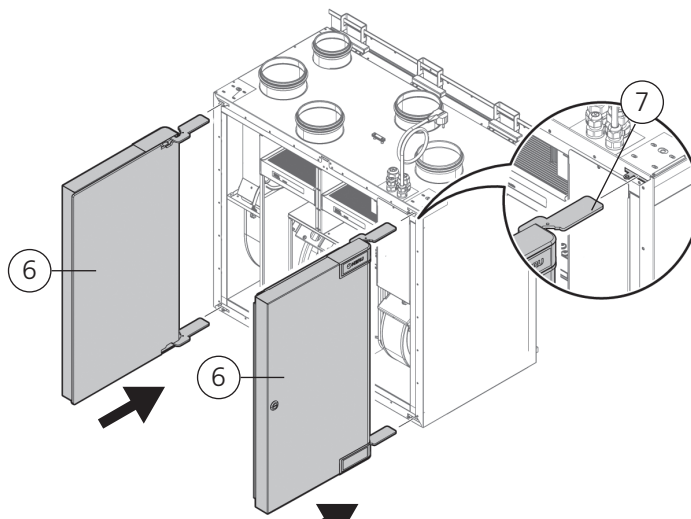
Mount the rotor cassette.

- ④ Slide in the rotor cassette in the unit.
- ⑤ Connect the rotor cassette's quick connector.



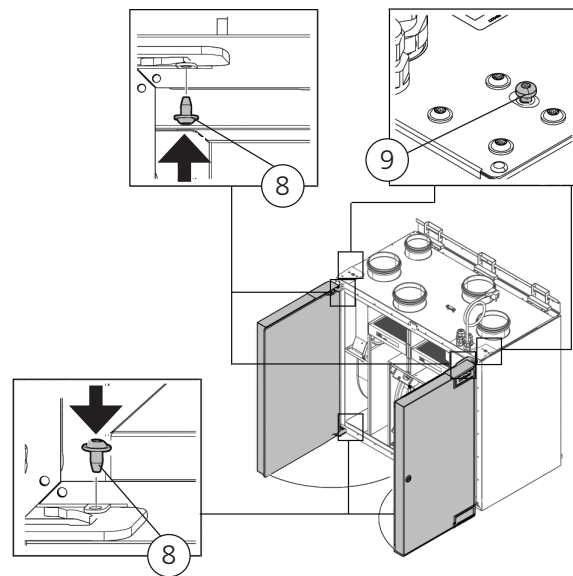
Mount the doors.

- ⑥ Secure the doors on the unit.
- ⑦ Press in the door hinges into the hinge brackets.



- ⑧ Hold the doors, and screw in the upper and lower screws.
- ⑨ Then screw the locking screws.

Close the doors.



3.6 Connecting the unit to the power source

**WARNING!**

The unit must always be equipped with a type A or B, 30 mA residual current device (RCD). Units without plugs must be installed with a safety switch, which must be mounted close by.

**WARNING!**

Units with plugs must be fused with a C10 A fuse.

**WARNING!**

Units without plugs must be fused with a 2x10 A fuse together with a 2,5 mm² conductor.

**WARNING!**

All electrical installations must be performed by a qualified electrician.

**WARNING!**

The safety switch must not be used for normal starting and stopping of the unit. Use the accompanying wireless display.

**WARNING!**

Check that the power cable is not damaged during mounting and installation.

**WARNING!**

All operations on the unit and its peripheral equipment must be performed in accordance with local laws and regulations.

**WARNING!**

Ensure that there are no loose parts inside the unit and that the doors are closed and locked before turning on the power.

Preparations:

No preparations are required.

1. If the unit has a plug, a C10 A fuse must be used.
2. If the unit does not have a plug, a 2x10A fuse together with a 2,5 mm² conductor must be used (heater and energy recovery unit).
3. Install a safety switch close to the unit.

NOTE!

The safety switch must not be used for normal starting and stopping of the unit. Use the accompanying wireless display

3.7 Connecting Modbus to external control equipment

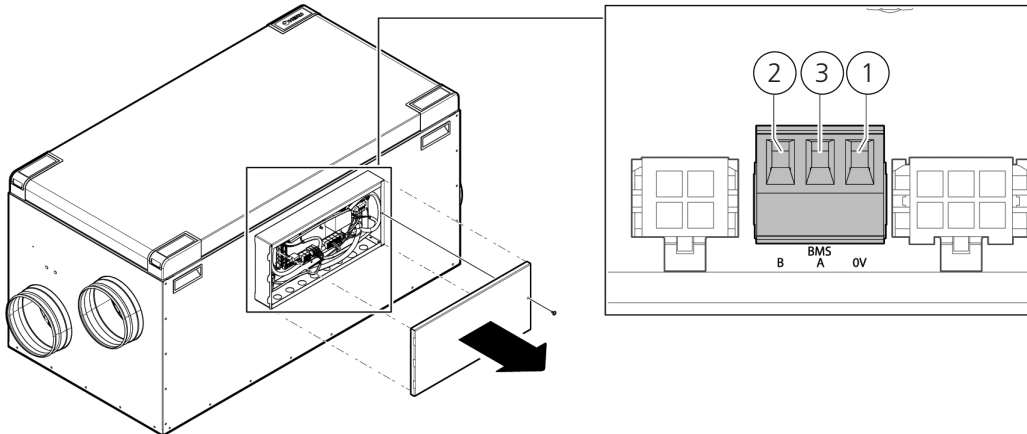
Preparations:

- The external control equipment must support Modbus RTU data protocol, which is used for RS485 in order to communicate with the unit.

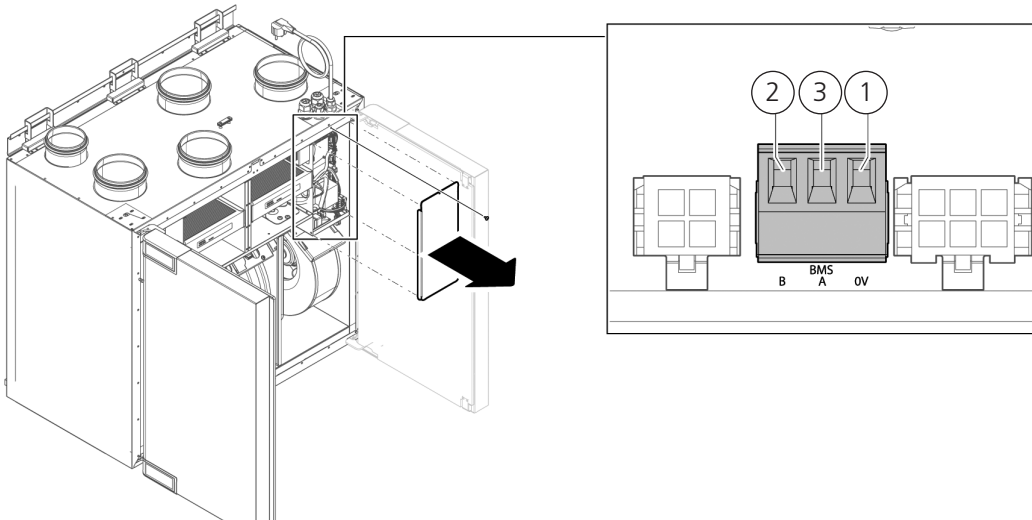
Tool

- Torx T 25 screwdriver
- Flat-blade screwdriver (only HERU T)

Connecting Modbus to HERU S:



Connecting Modbus to HERU T:



- ① Connect GND to 0.



CAUTION!

If no conductor is connected to terminal 0, voltage potential can damage the equipment.

- ② Connect Rx-/Tx- to B.
- ③ Connect Rx+/Tx+ to A.

NOTE!

For more information on how to configure Modbus via the wireless display, see **5.4 Configuring the unit for Modbus**.

3.8 Final routines

Preparations:

No preparations are required.

1. Ensure that there are no loose parts inside the unit and that the lid/doors of the unit are closed and locked.
2. Ensure that the product is operating and no alarm is active.
3. Pick up all the tools.
4. Notify relevant persons that the work is complete.
5. Follow the routines for returning and disposing of replaced parts and packaging material.
6. Fill in the relevant points in the commissioning protocol, the protocol can be found at the end of the manual.

4 Commissioning



WARNING!

The unit's ducts must be connected, covers/doors closed and the screws tightened before the unit is started to avoid the risk of personal injury from rotating parts.



WARNING!

Filters must be installed before the unit is used.



CAUTION!

The commissioning protocol must be completed for the warranty to apply. Available at the end of the manual.

For information on the service menu see **6 Menu overview**.

For information on active view in the wireless display, press the **i-button** in the display's status bar.

4.1 Starting the HERU unit for the first time

Preparations:

No preparations are required.

1. Power the HERU unit.
 - If the unit has a plug, connect it to a socket.
 - If the unit does not have a plug, turn on the power with the safety switch.
2. Wake up the display by connecting the accompanying charging cable to the display. Connect the charging cable via a 220V adapter to the wall socket.

NOTE!

The wireless display is paired upon delivery. If an extra display is desired, this must be paired. See manual Operation and maintenance, **4.2 Pairing units**.

3. The display synchronises. Once this is ready, press the **HERU symbol** in the display.
4. Press "**Start unit**". Then the unit starts for the first time using a start sequence that takes approximately 15 min.

NOTE!

The unit does not react to any command until the start sequence is finished

5. Once the start sequence is finished, the unit operates according to the preset values.
6. Check that the latest version of the firmware is installed.
 - Enter **Settings/About/Version** in the wireless display.
 - Compare the version against the most recently published version of firmware at <https://www.ostberg.com>.
 - If a new version of firmware is available, see the Operation and maintenance manual in the chapter **4.15 Update software in the ventilation unit**.

4.2 Configuring the unit

Preparations:

Prepare the configuration by having values for the following parameters to hand:

- Type of heater
- **Heater**, choose **Electric**. **Water** is a possible choice if a external heating coil is mounted.
- Desired control method
- Maximum limit for temperature reference value
- Temperature limits for supply air
- Heat retention temperature and limits for freeze protection
- For **Switch input contact function**: if normally open (NO) or normally closed (NC) for:
 - Fire alarm**
 - Pump alarm**
 - Boost**
 - Overpressure**
 - Extended operation**
 - Away mode**
 - Filter**
- The switch's input signal types for **Boost**, **Away** and **Extended operation**.
- **Alarm class**: A or B.
- **Warnings alarm relay**: on/off.
- **Flow direction**
- **Standard fan speed** for **Supply air** and **Extract air**
- **Minimum fan speed** for **Supply air** and **Extract air**
- **Maximum fan speed** for **Supply air** and **Extract air**
- **Filter control: Timer**

1. Open the main menu, select **Service**.
2. Log in. Enter code 1991.
3. Select **Wizard**.
4. Click **OK** in the dialogue box that is displayed.
5. Follow the wizard to set all settings.
6. Click on the button **Finished**.
7. Return to the main menu. Click on the arrow in the bottom left corner or on the main menu button in the upper left corner.
8. Return to the start screen. Click on **X** in the upper left corner.

4.3 Adapting the unit for airflow in the opposite direction

Preparations:

- HERU S only: The electric heater must be mounted for flow in the opposite direction. No other preparations are required.

1. Open the main menu, select **Service**.
2. Log in. Enter code 1991.
3. Select **Fan regulation**.
4. Click **OK** in the dialogue box that is displayed.
5. In the alternative **Flow** select **Opposite**.
6. Return to the main menu. Click on the arrow in the bottom left corner or on the main menu button in the upper left corner.
7. Return to the start screen. Click on **x** in the upper left corner.

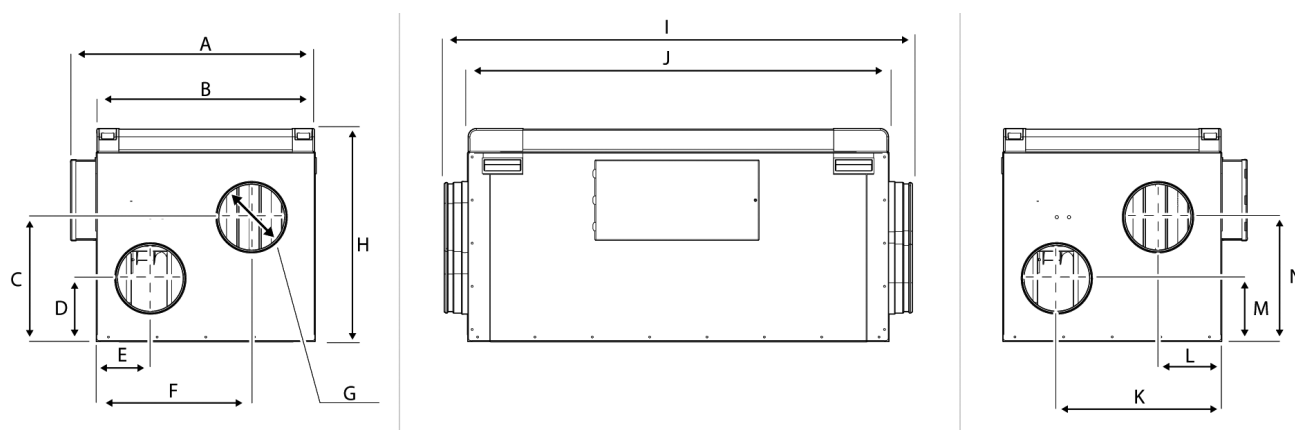
4.4 Configuring the unit for Modbus

Preparations:

- ID and baud rate must correspond to the customer's settings. No other preparations are required.

1. Download the complete Modbus register here: <https://www.ostberg.com>.
2. Open the main menu, select **Service**.
3. Log in. Enter code 1991.
4. Select **Communication**.
5. In the alternative **Modbus** enter the following values:
 - Address
 - Baud
 - Stopbit
 - Parity
6. Return to the main menu. Click on the arrow in the bottom left corner or on the main menu button in the upper left corner.
7. Return to the start screen. Click on **x** in the upper left corner.

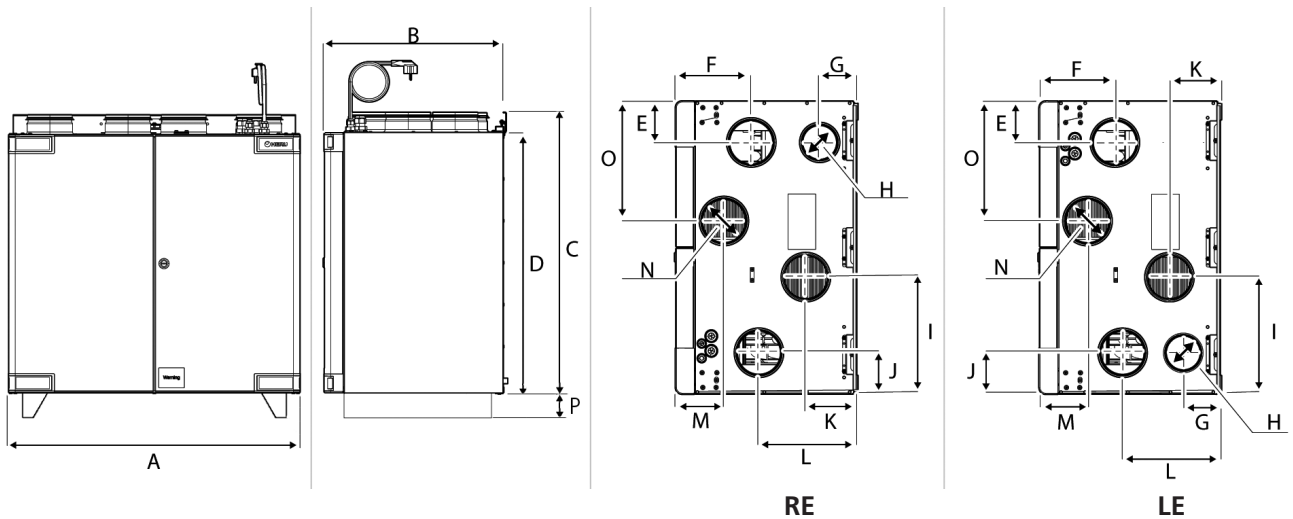
5 Technical data



HERU S

	HERU 100 S EC	HERU 160 S EC	HERU 200 S EC	HERU 300 S EC
Total power (W)	1420	2020	2620	2930
Weight (kg)	60	80	96	99
Dimensions (mm)				
A	562	631	740	740
B	507	574	683	683
C	285	346	497	497
D	145	176	199	199
E	124	152	182	182
F	357	405	494	494
G	Ø 160 (4x)	Ø 200 (4x)	Ø 250 (4x)	Ø 250 (4x)
H	488	570	679	679
I	1075	1236	1352	1352
J	969	1131	1250	1250
K	379	418	498	498
L	146	165	186	186
M	145	176	199	199
N	285	346	497	497

For further technical data, see <https://www.ostberg.com>.

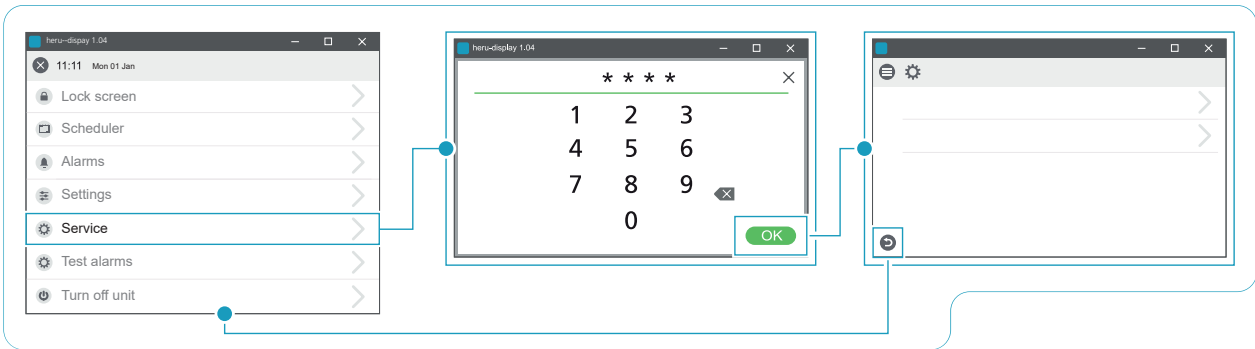


HERU T

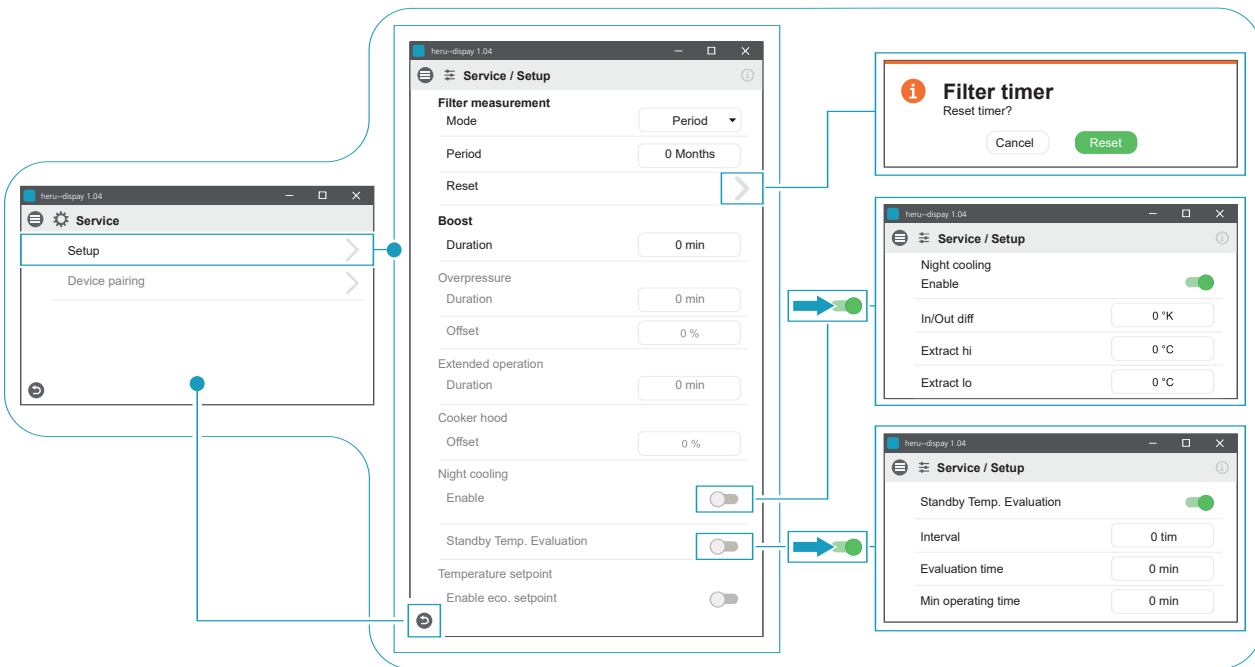
	HERU 100 T EC	HERU 160 T EC	HERU 200 T EC	HERU 300 T EC
Total power (W)	1420	2020	2620	2930
Weight (kg)	70	98	135	138
Dimensions (mm)				
A	796	942	1124	1124
B	492	559	682	682
C	759	919	1135	1135
D	705	865	1082	1082
E	113	132	177	177
F	204	249	255	255
G	101	113	–	–
H	Ø 100 (1x)	Ø125 (1x)	–	–
I	318	370	442	442
J	112	130	174	174
K	138	138	474	474
L	265	310	250	250
M	130	149	479	479
N	Ø 125 (4x)	Ø 160 (4x)	Ø 250 (4x)	Ø 250 (4x)
O	326	372	446	446
P	–	–	100	100

For further technical data, see <https://www.ostberg.com>.

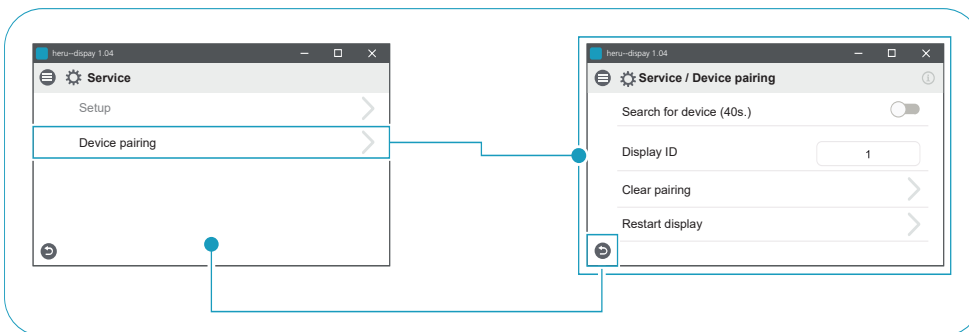
6 Menu overview



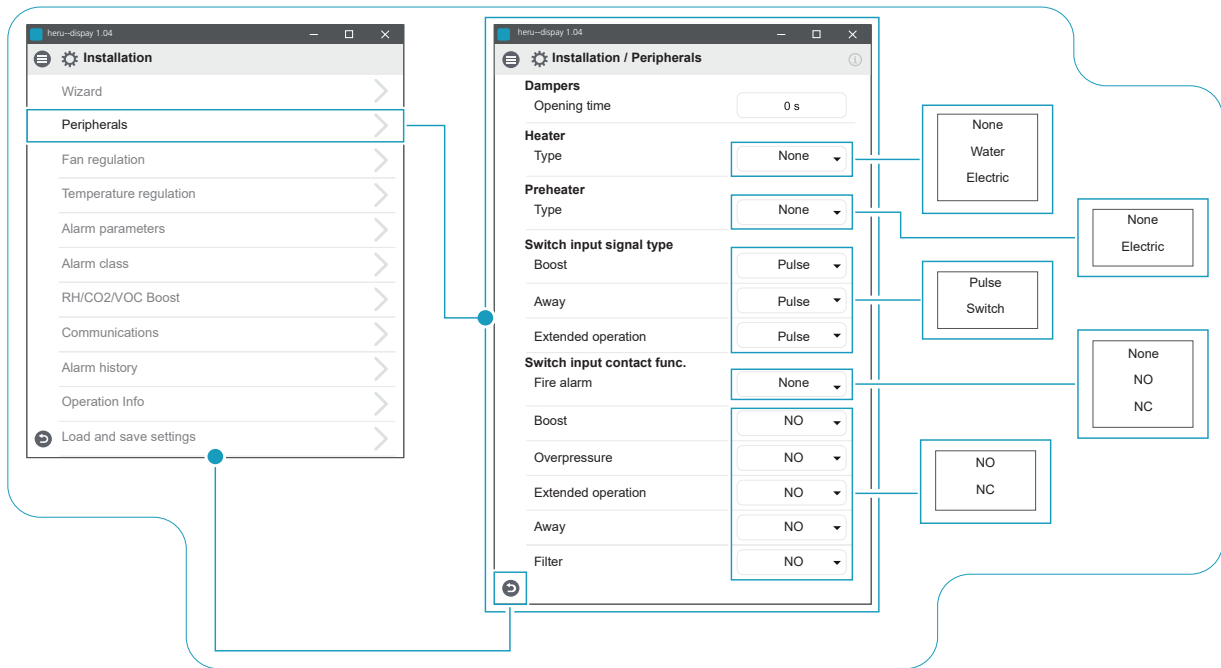
Service > Password > Service



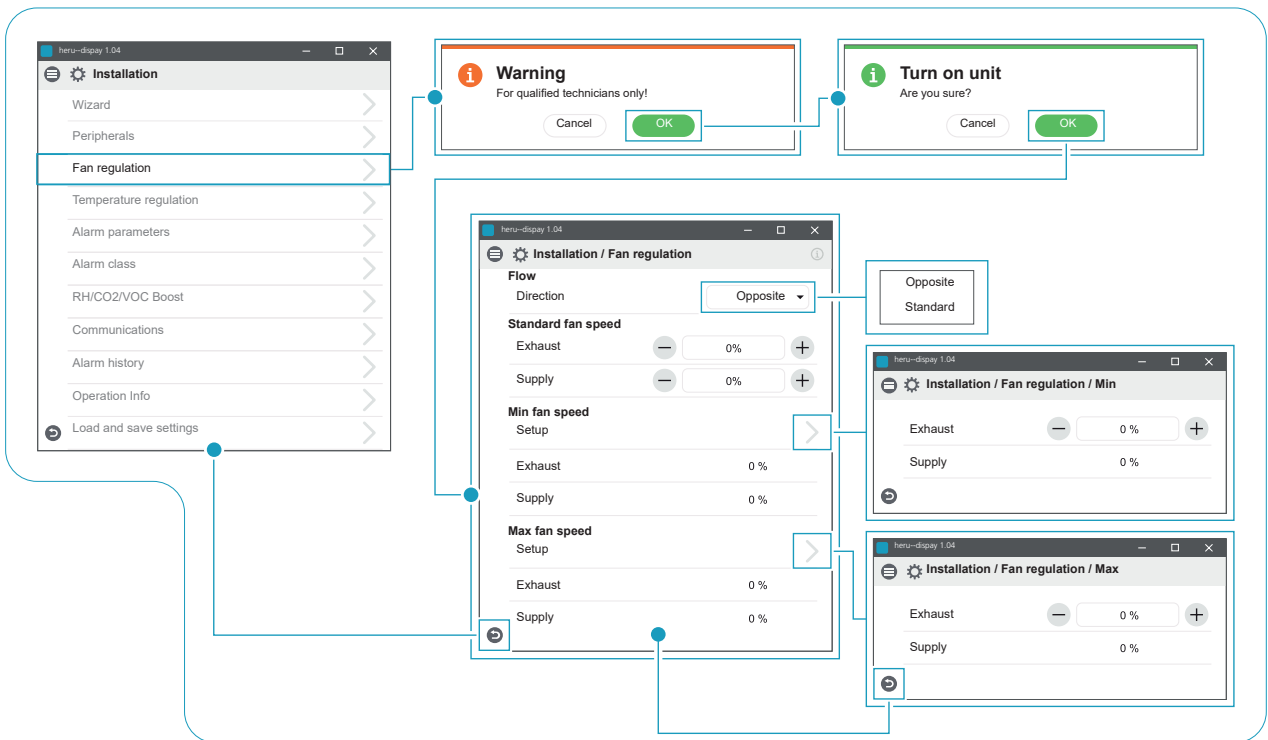
Service > Setup



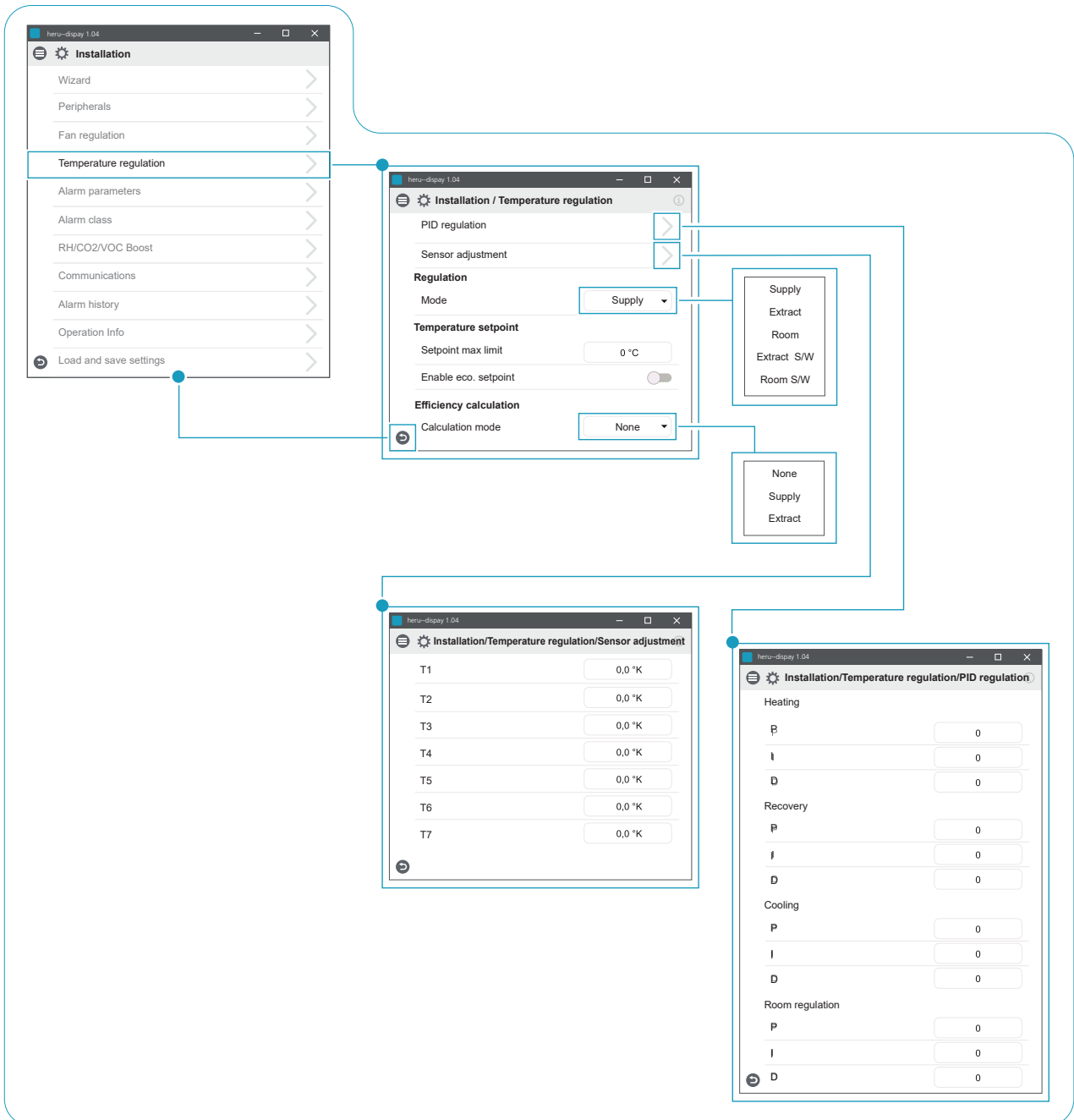
Service > Device pairing



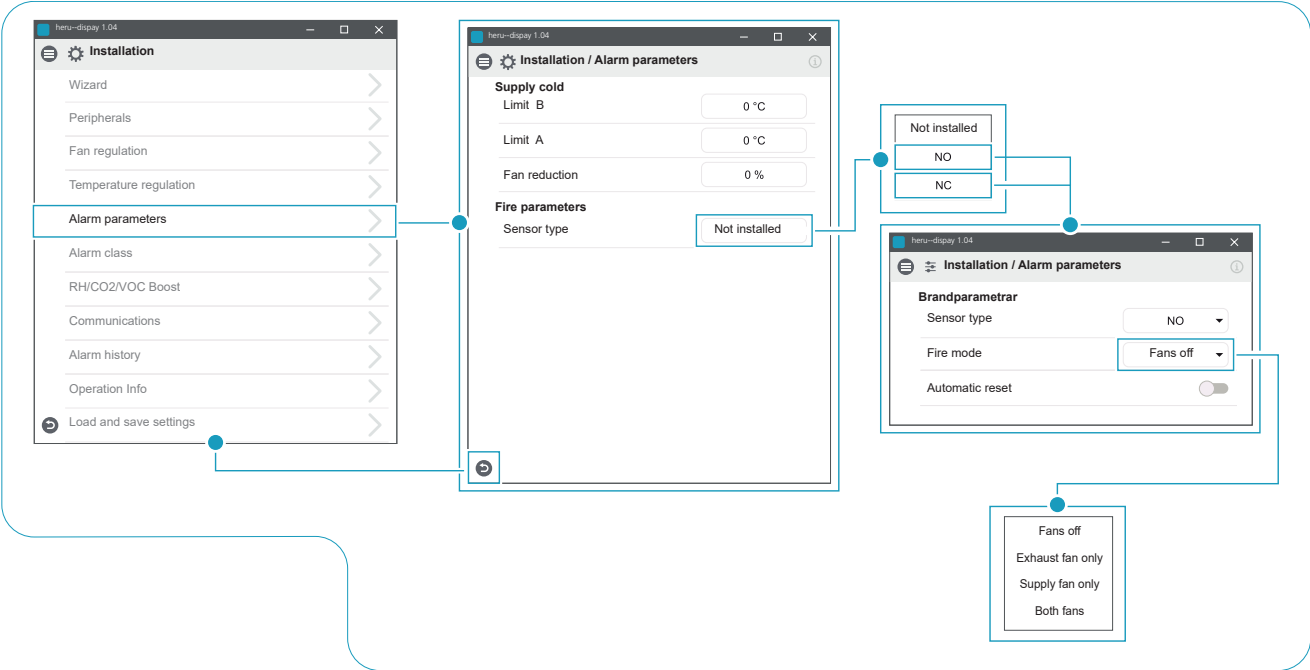
Installation > Installation / Peripherals



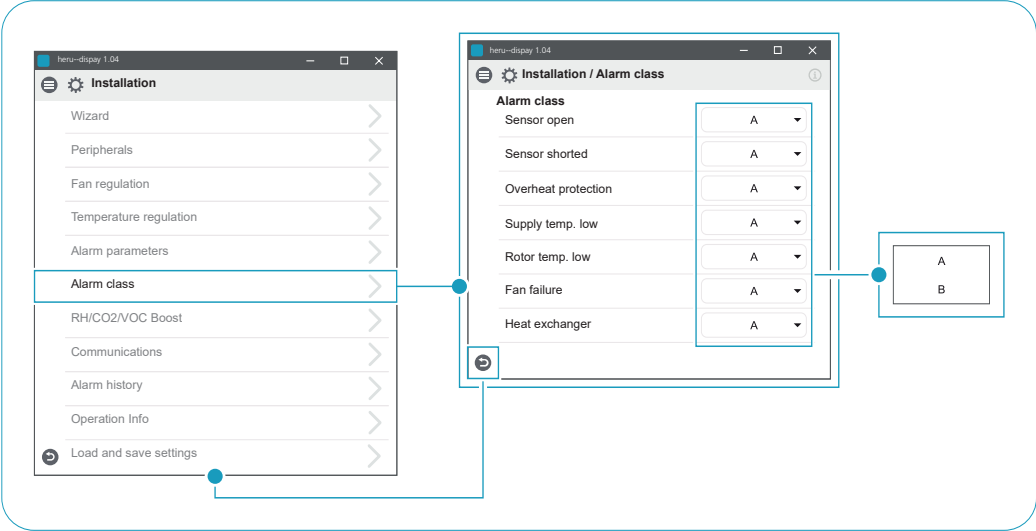
Installation > Installation / Fan regulation



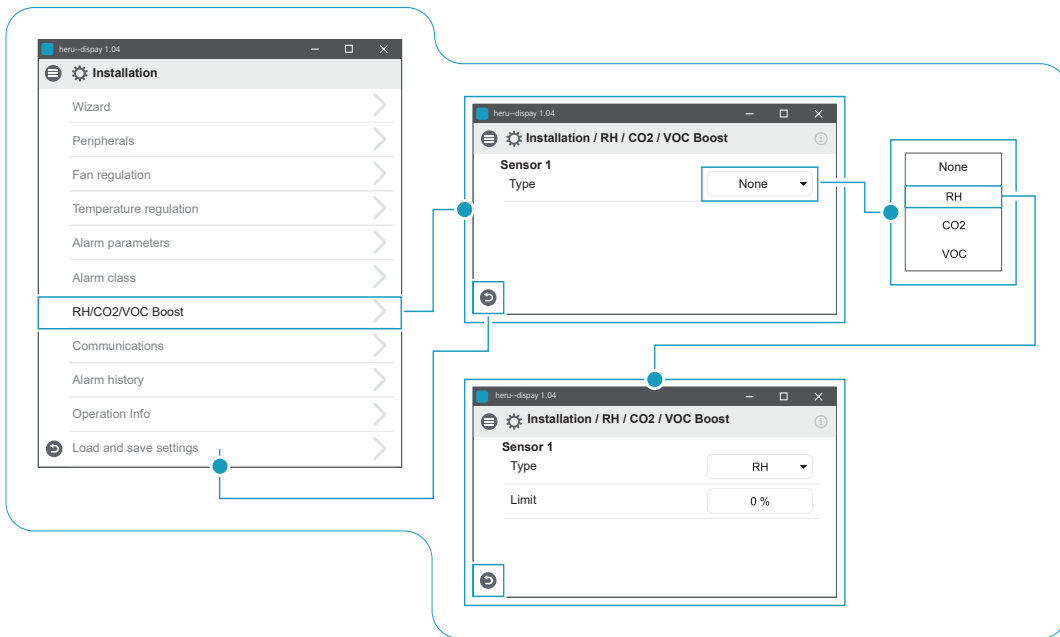
Installation > Installation / Temperature regulation



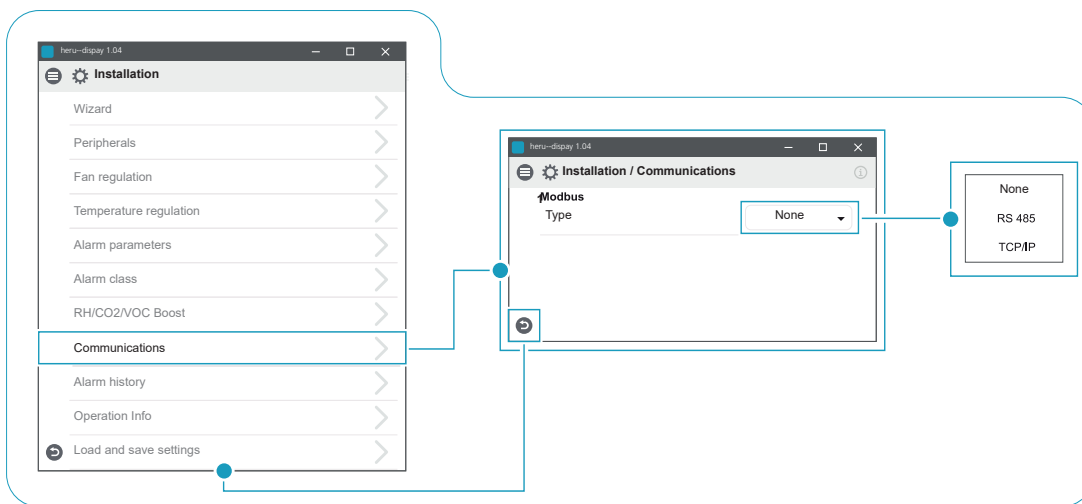
Installation > Installation/Alarm parameters



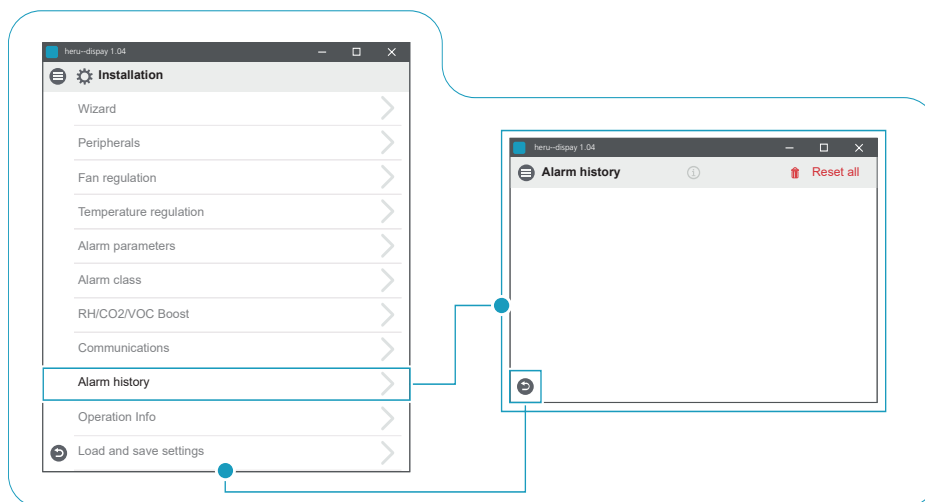
Installation > Installation / Alarm class



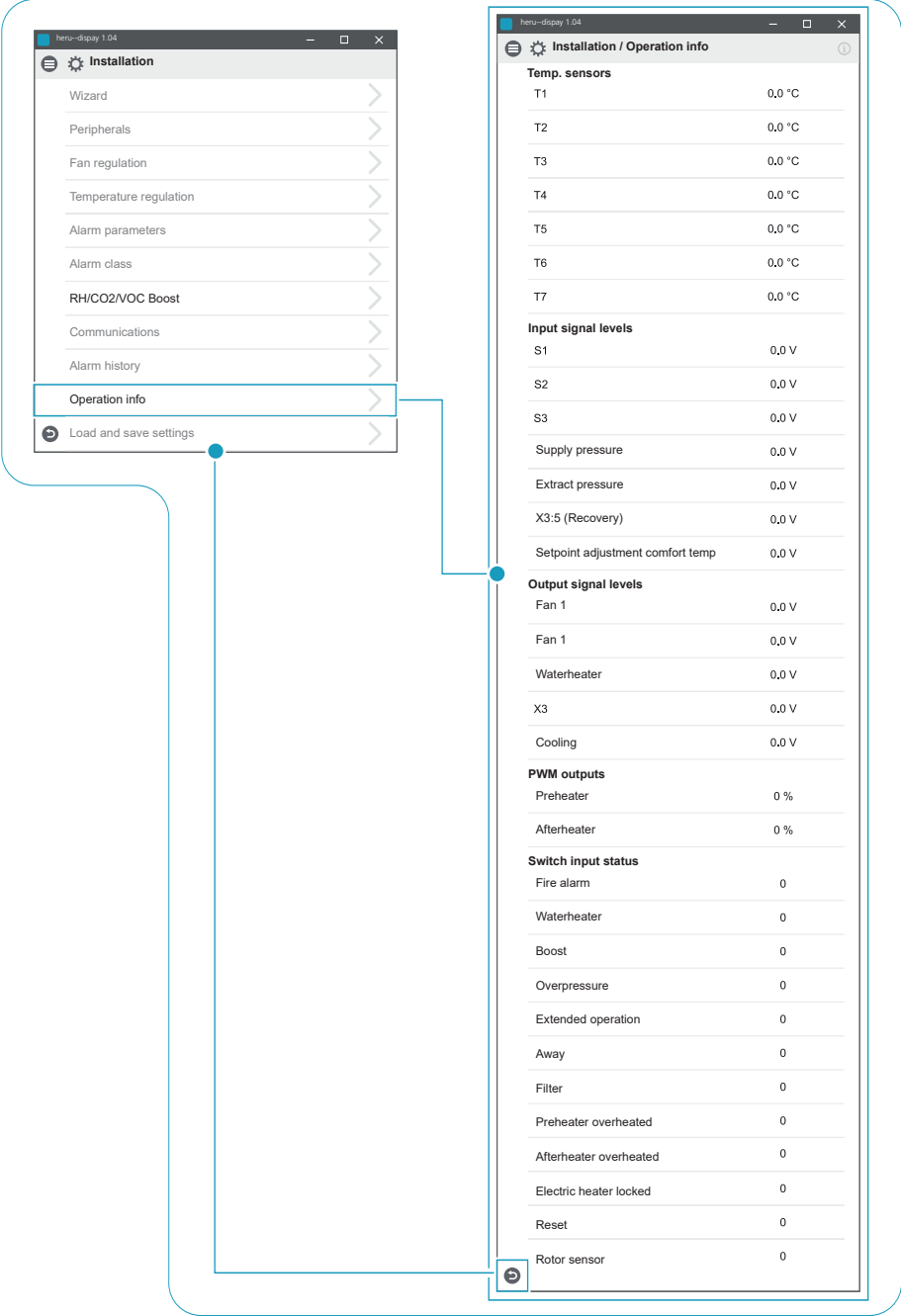
Installation > Installation/RH/CO2/VOC Boost



Installation > Installation/Communications

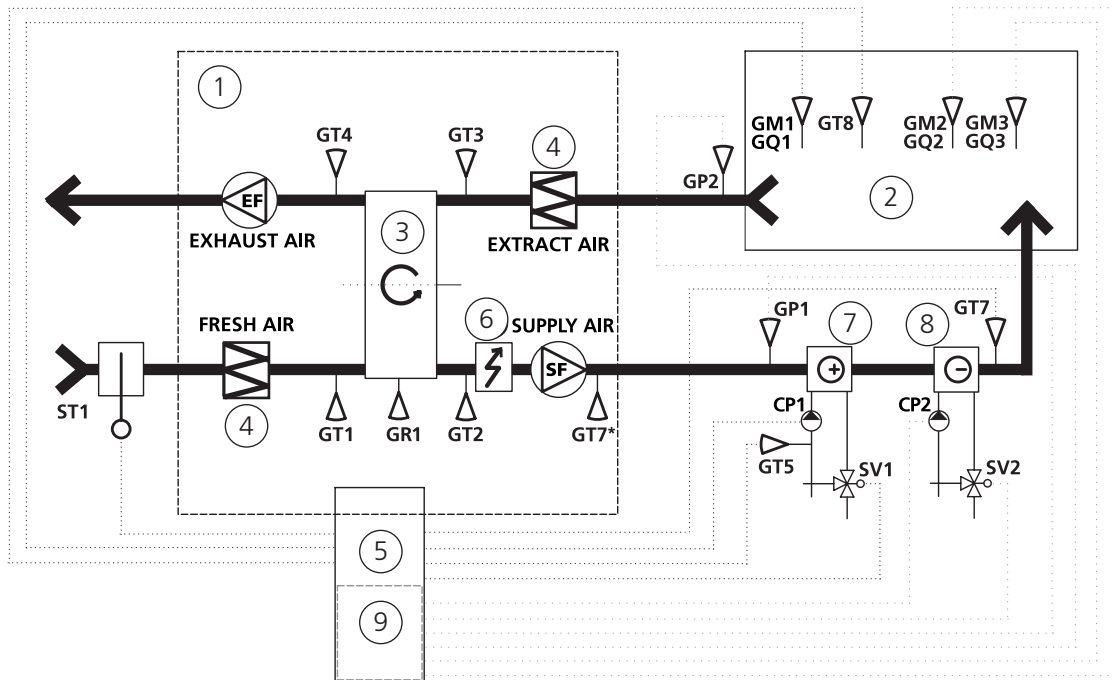


Installation > Installation/Alarm history



Installation > Installation/Operation info

7 Control diagram



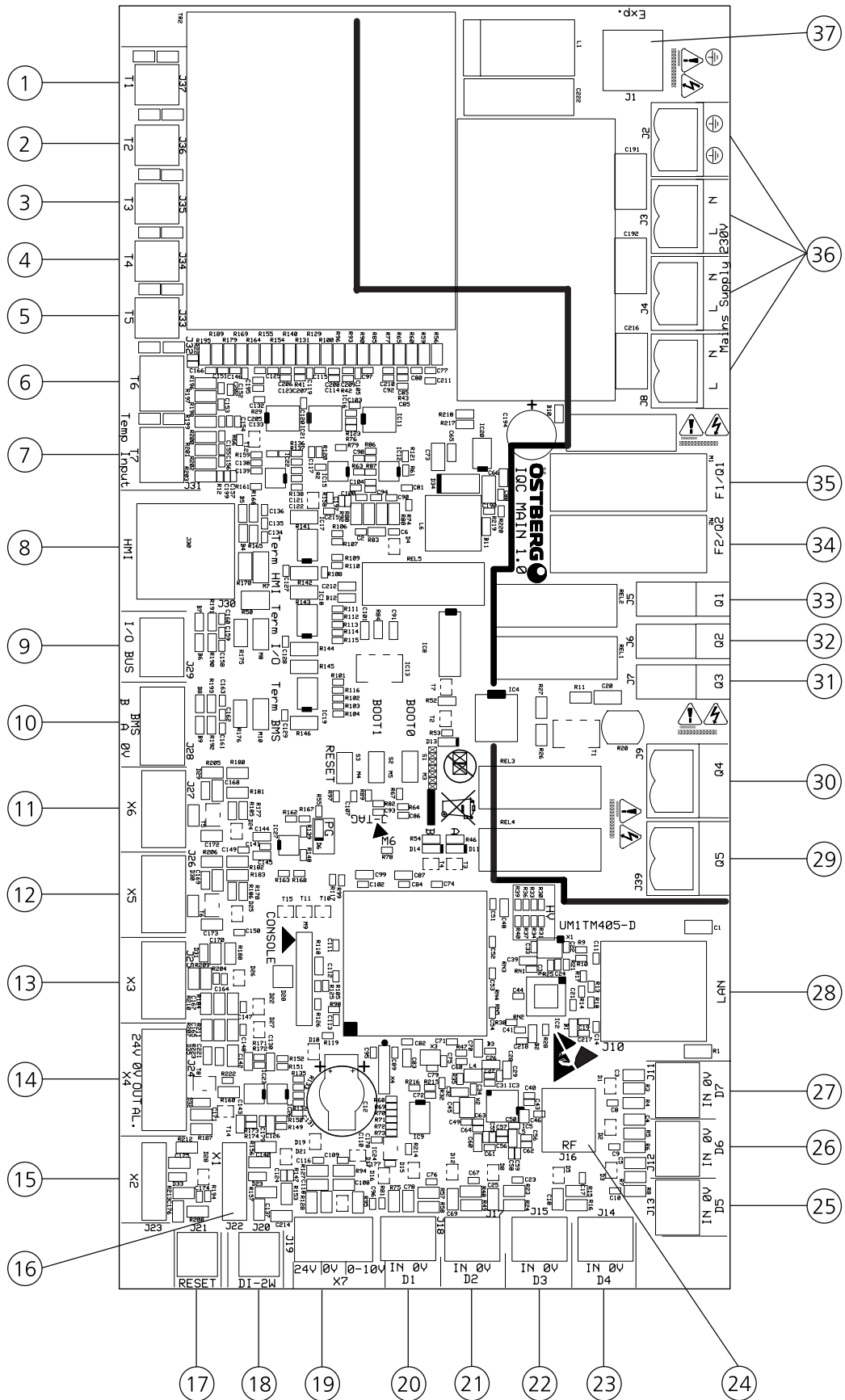
- ① HERU unit
- ② Room
- ③ Rotating heat exchanger
- ④ Filter
- ⑤ Control central containing relay board
- ⑥ Electric heater
- ⑦ Heating coil
- ⑧ Cooling coil
- ⑨ Electric expansion board

Note!

GT7* Temperature sensor location for HERU T.

GT7 Temperature sensor location for HERU S and when HERU T has a heating / cooling coil mounted after the unit.

8 Connections main board



Pos.	PCB label	Description
①	T1	Internal temperature sensor
②	T2	Internal temperature sensor
③	T3	Internal temperature sensor
④	T4	Internal temperature sensor
⑤	T5	Freeze protection sensor
⑥	T6	Supply duct sensor (GT7)
⑦	T7	Room sensor (GT8)
⑧	HMI	Display port RJ45 (black)
⑨	I/O Bus	I/O Bus
⑩	BMS	RS 485 Modbus (slave)
⑪	X6	Preheater control output
⑫	X5	Afterheater control output
⑬	X3	Recovery control output
⑭	X4	Heating coil Ctrl Output (Analog out 0-10V / 24VAC 1,5VA)
⑮	X2	Fan 2 control output
⑯	X1	Fan 1 control output
⑰	Reset	External Reset
⑱	DI-2W	Rotor sensor (HALL)
⑲	X7	RH/CO2/VOC (Analog input 0-10V / 24VAC 1,3VA)
⑳	D1	Fire alarm (Digital input (floating))
㉑	D2	Boost (Digital input (floating))
㉒	D3	Overpressure (Digital input (floating))
㉓	D4	Extended Operation (Digital input (floating))
㉔	RF	SMA antenna output
㉕	D5	Away (Digital input (floating))
㉖	D6	Filter alarm (Digital input (floating))
㉗	D7	Electric heater Interlock (Digital input (floating))
㉘	LAN	10/100 Mbit Ethernet RJ-45
㉙	Q5	Floating output for pump heating
㉚	Q4	Damper (Digital relay output (NO))
㉛	Q3	Triac (Digital relay output (NO))
㉜	Q2	Fan 2 Power (Digital relay output (NO))
㉝	Q1	Fan 1 Power (Digital relay output (NO))
㉞	F2/Q2	Glass fuse T2.5A 5x20 L250V Fan 2
㉟	F1/Q1	Glass fuse T2.5A 5x20 L250V Fan 1
㊱	L/N	Main supply 230V
	L/N	Main supply 230V
	L/N	Main supply 230V
	PE	Main supply 230V
㊲	Exp.	Power to Expansion board

Tillverkaren kan inte hållas ansvarig för skador på människor eller egendom som orsakats av felaktig installation, driftsättning och/eller felaktig användning av aggregatet och/eller underlåtenhet att införa de processer och instruktioner som finns i användarmanualen "Drift & underhåll".

Av säkerhetsskäl är det absolut nödvändigt att följa instruktionerna i användarmanualen. I händelse av skada som orsakats på grund av att instruktionerna inte efterföljts blir garantin omedelbart ogiltig. Installation och driftsättning måste utföras av behörig personal enligt lokala bestämmelser för att garantin ska vara gällande.



AKTAS!

Driftsättningsprotokollet måste vara ifyllt för att garantin skall gälla. Finns i slutet av manualen.

Genvägar:

- **Logga in i Installationsmeny:** Ange kod 1991.
- **Logga in i Servicemeny:** Ange kod 1199.
- **Ladda ned programvarans senaste version:** [Firmware](#).
- **Ladda ner fullständigt Modbusregister:** [Modbus](#).
- **Ladda ned appen:** [HERU IQ App](#)

FIRMWARE



MODBUS



APPLE

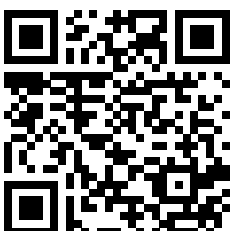


GOOGLE



- Ladda ned kopplingscheman via [produktlänkarna](#) nedan.
- Länkar till produktinformation på www.ostberg.com

HERU S



HERU T



	Innehåll
1 Säkerhet	48
1.1 Uppmaningar	48
1.2 Allmän säkerhet.....	48
1.3 Produktetikett.....	49
Försäkran om överensstämmelse.....	52
2 Transport och förvaring	51
Allmänt.....	51
Verifiera leveransen	51
3 Installation	52
3.1 Systemöversikt	53
3.2 Förberedelse och placering	54
3.3 Laddning av trådlös display.....	56
3.4 HERU S.....	56
3.4.1 Demontera aggregatet för att minska vikten vid installation av HERU S.....	56
3.4.2 Installation av HERU S.....	58
3.4.3 För motsatt flödesriktning skall den elektriska värmaren flyttas och kopplas om.....	61
3.4.4 Montera tillbaka delarna efter installation HERU S	62
3.5 HERU T.....	63
3.5.1 Demontera aggregatet för att minska vikten vid installation av HERU T.....	63
3.5.2 Installation HERU T	65
3.5.3 Montera tillbaka delarna efter installation HERU T	69
3.6 Anslut aggregatet till strömkälla	71
3.7 Anslutning av Modbus till extern styrutrustning	72
3.8 Avslutande rutiner.....	73
4 Driftsättning	74
4.1 Första uppstart av HERU-aggregatet.....	74
4.2 Konfigurera aggregatet	75
4.3 Anpassa aggregatet för flöde i motsatt riktning.....	76
4.4 Konfigurera aggregatet för Modbus	76
5 Tekniska data	77
6 Välj Menyöversikt	79
7 Reglerschema	85
8 Anslutningar huvudkort	86

1 Säkerhet

1.1 Uppmaningar



VARNING!

En varning anger risk för personskada.



AKTAS!

Aktas anger risk för skada på utrustning.

1.2 Allmän säkerhet



VARNING!

Alla elinstallationer måste utföras av en behörig elektriker.



VARNING!

Aggregatet måste vara strömlöst i 2 minuter innan arbete kan utföras.



VARNING!

Se till att strömkabeln inte skadas under montering och installation.



VARNING!

Aggregatet får inte startas innan installationen är helt klar och kanalerna har anslutits.



VARNING!

Säkerhetsbrytaren får inte användas för normal start och stopp av aggregatet.
Använd medföljande display.



VARNING!

Säkerhetsbrytaren måste vara avstängd när ellådans lock eller aggregatets luckor öppnas/avlägsnas från aggregatet.



VARNING!

Aggregatet måste alltid vara utrustat med en jordfelsbrytare (RCD) typ A eller B, 30 mA.
Aggregat utan stickkontakt måste installeras med en säkerhetsbrytare som ska vara monterad i närheten.



VARNING!

Aggregat med stickkontakt ska avsäkras med en C10 A-säkring.



VARNING!

Aggregat utan stickkontakt ska avsäkras med en 2xC10 A-säkring tillsammans med 2,5 mm² ledare.



VARNING!

Alla åtgärder på aggregatet och dess kringutrustning måste utföras i enlighet med lokala lagar och bestämmelser.



VARNING!

Se upp för vassa kanter och hörn på aggregatet.

**VARNING!**

Beakta vikten på aggregatet och dess delar under montering och underhåll.

**VARNING!**

Roterande, varma och elektriska komponenter kan orsaka allvarliga skador.

**VARNING!**

Kanaler ska vara anslutna och luckan ska vara stängd och låst innan aggregatet startas upp. Risk för personskada av roterande delar.

**AKTAS!**

Vi rekommenderar att alltid installera spjäll med fjäderretur i kanalerna för ute- och avluft.

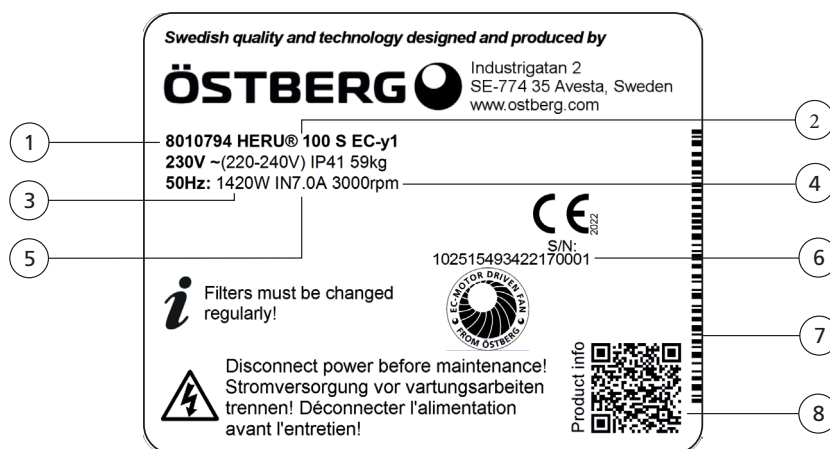
**AKTAS!**

Anslut inte en torktumlare av frånluftstyp eller ett torkskåp till systemet på grund av den höga luftfuktigheten.

**AKTAS!**

Om aggregatet installeras när det är kallt ute/vintertid och inte tas i drift direkt måste kanalerna pluggas igen, annars finns risk för kondens och att aggregatet fryser.

1.3 Produktetikett



Exempel på produktetikett

- ① Artikelnummer
- ② Produktnamn
- ③ Maximal effekt inklusive värmare
- ④ Varvtal vid maximal effekt
- ⑤ Ström vid maximal effekt inklusive värmare
- ⑥ Serienummer
- ⑦ Serienummer som streckkod
- ⑧ QR-kod till produkt hemsida



EU-FÖRSÄKRAN OM ÖVERENSSTÄMMELSE

Vi intygar härmed att våra produkter uppfyller kraven i nedan angivna EU-direktiv och harmoniserande standarder och förordningar.

Tillverkare: H. ÖSTBERG AB
Industrigatan 2
774 35 Avesta
Tel nr 0226 - 860 00
Fax nr 0226 - 860 05
<http://www.ostberg.com>
info@ostberg.com
Org. nr 556301-2201



Produkter: Dubbelriktad ventilationsenhet RVU: HERU® 95 T EC, HERU® 100 T EC, HERU® 160 T EC, HERU® 200 T EC, HERU® 300 T EC, HERU® 100 S EC, HERU® 160 S EC, HERU® 200 S EC, HERU® 300 S EC, HERU® 70 K EC, HERU® 50 LP EC, HERU® 90 LP EC, HERU® 180 S EC 2, HERU® 250 T EC, HERU® 130 S EC, HERU® 250 S EC
Dubbelriktad ventilationsenhet NRVU: HERU® 400 T EC, HERU® 600 T EC, HERU® 800 T EC, HERU®, 1200 T EC, HERU® 400 S EC, HERU® 600 S EC, HERU® 800 S EC, HERU® 1200 S EC, HERU® Select

Denna EU-Försäkran gäller produkter inklusive våra tillbehör för montering och installation endast om installation har skett i enlighet med bifogad installationsanvisning samt att produkten ej har modifierats.

Radioutrustningsdirektivet (RED) 2014/53/EU

Harmoniserade standarder:

- EN 300 220-2:2018 V3.1.1
- EN 303 446-1:2019 (EN 55014-1:2017, A11, EN 55014-2:2015, EN IEC 61000-3-2:2019, EN 61000-3-3:2013, A1)
- EN 301 489-3:2019

Maskindirektivet (MD) 2006/42/EG

Harmoniserande standarder:

- EN ISO 12100:2010
- EN ISO 13857:2019
- EN 60204-1:2018
- EN 60335-1:2012, AC 1, A 13 R1, A 11, A 12, A 13, A 1, A 14, A2, A15
- EN 60335-2-40:2003, A13, A2, A12, A1, A11, C1, C2
- EN 60335-2-30:2010, A11, A1, A12

Ekodesigndirektivet 2009/125/EG

Harmoniserande förordningar:

- 1253/2014 Krav på ekodesign för ventilationsenheter
- 1254/2014 Energimärkning av ventilationsenheter för bostäder

Standarder:

- RVU: SS-EN 13141-7:2021 eller NRVU: SS-EN 13053:2019

RoHS-Direktivet 2011/65/EU

Harmoniserande standarder:

- EN IEC 63000:2018

Avesta 2022-04-25

Mikael Östberg
Product Manager

2 Transport och förvaring

2.1 Allmänt

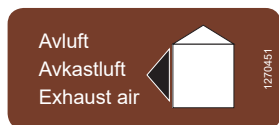
HERU-aggregatet ska förvaras i ett skyddat och torrt utrymme innan installation.

2.2 Verifiera leveransen

1. Vid leverans ska aggregatet inspekteras noga för att upptäcka eventuella skador som kan ha uppstått under transporten. Vid allvarliga skador ska tillverkaren underrättas omedelbart. OBS! Tillverkaren kan inte hållas ansvarig för skador på aggregatet under transport, även om speditören har anlitats av tillverkaren.

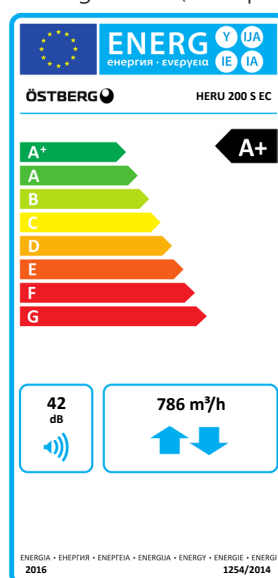
2. Verifiera att leveransen innehåller alla beställda delar. Följande delar ska ingå i leveransen av HERU:

- Monterat HERU-aggregat
- Etiketter:
 - Etiketter för luftriktning



(endast för HERU T 100/160)

- Energietikett (exempel)



- Kablar:
 - Antennkabel
 - GT7-kabel (endast för HERU S)
 - Sladdställ med stickkontakt (utom för HERU S 200/300 och HERU T 200/300)
- 2 filter
- Touch display/Trådlös display
- Väggekonsol för aggregatet (endast för HERU T 100/160)
- Väggekonsol för displayen
- Laddare
- Vibrationsdämpare x2 (HERU T 100), x3 (HERU T 160)
- Bluetooth-dongel
- Informationsblad
- Manual för installation
- Manual för drift och underhåll

3. Kontakta din återförsäljare om något saknas.

3 Installation

**VARNING!**

Aggregatet måste vara strömlöst innan arbete kan påbörjas.

**VARNING!**

Se till att elektriciteten är avstängd under hela monteringsprocessen.

**VARNING!**

Aggregatet får inte startas innan installationen är helt klar och kanalerna har anslutits.

**VARNING!**

Alla elinstallationer måste utföras av en behörig elektriker.

**VARNING!**

Säkerhetsbrytaren måste vara avstängd eller stickkontakten urdragen när ellådans lock eller aggregatets luckor öppnas/avlägsnas från aggregatet.

**VARNING!**

Alla åtgärder på aggregatet och dess kringutrustning måste utföras i enlighet med lokala lagar och bestämmelser.

**VARNING!**

Roterande, varma och elektriska komponenter kan orsaka allvarliga skador.

**AKTAS!**

Anslut inte en torktumlare av frånluftstyp eller ett torkskåp till systemet på grund av den höga luftfuktigheten.

**AKTAS!**

Om aggregatet installeras när det är kallt ute/vintertid och inte tas i drift direkt måste kanalerna pluggas igen, annars finns risk för kondens och att aggregatet fryser.

**AKTAS!**

Installation och driftsättning måste utföras av behörig personal enligt lokala bestämmelser för att garantin ska vara gällande

**AKTAS!**

Driftsättningsprotokollet måste vara ifyllt för att garantin skall gälla. Finns i slutet av manualen.

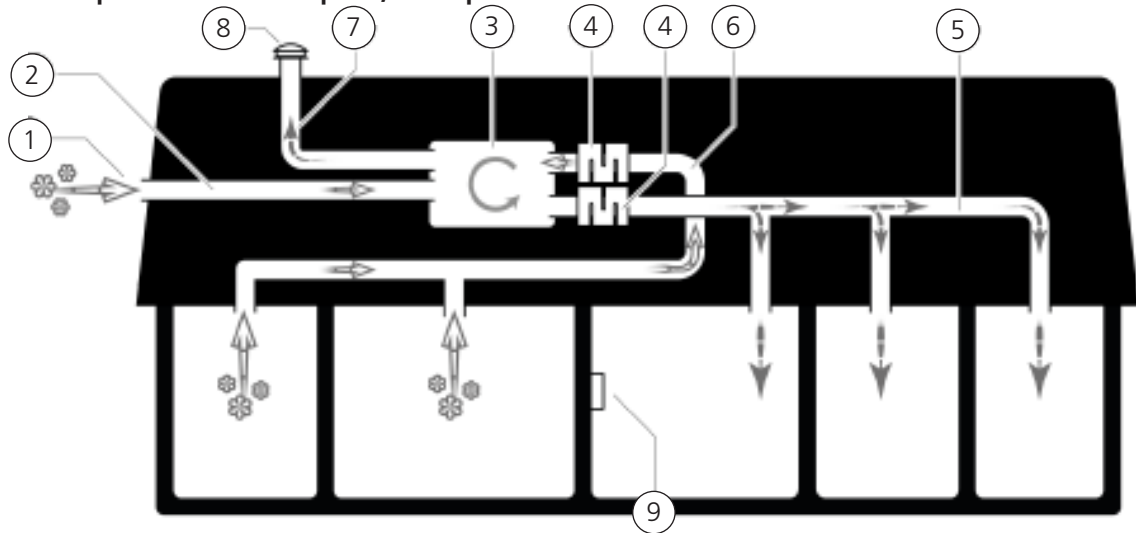
3.1 Systemöversikt



AKTAS!

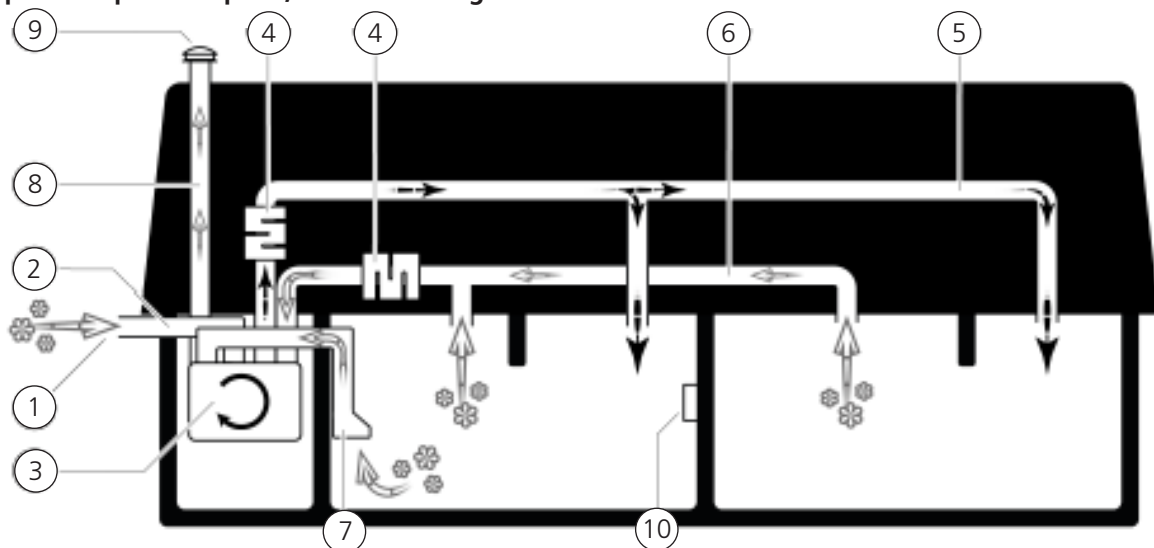
Driftsättningsprotokollet måste vara ifyllt för att garantin skall gälla. Finns i slutet av manualen..

HERU S placeras på kall eller varm plats, t. ex. på vind.



- | | |
|--------------------------------------|------------------------|
| 1. Intagsgaller för uteluft | 6. Frånluftskanal |
| 2. Uteluftskanal | 7. Avluftskanal |
| 3. HERU S energiåtervinningsaggregat | 8. Takhuv avluft |
| 4. Ljuddämpare | 9. Trådlös IQC display |
| 5. Tilluftskanal | |

HERU T placeras på varm plats, t. ex. tvättstuga.



- | | |
|--------------------------------------|-------------------------|
| 1. Intagsgaller för uteluft | 6. Frånluftskanal |
| 2. Uteluftskanal | 7. Spiskåpa frånluft |
| 3. HERU T energiåtervinningsaggregat | 8. Avluftskanal |
| 4. Ljuddämpare | 9. Takhuv avluft |
| 5. Tilluftskanal | 10. Trådlös IQC display |

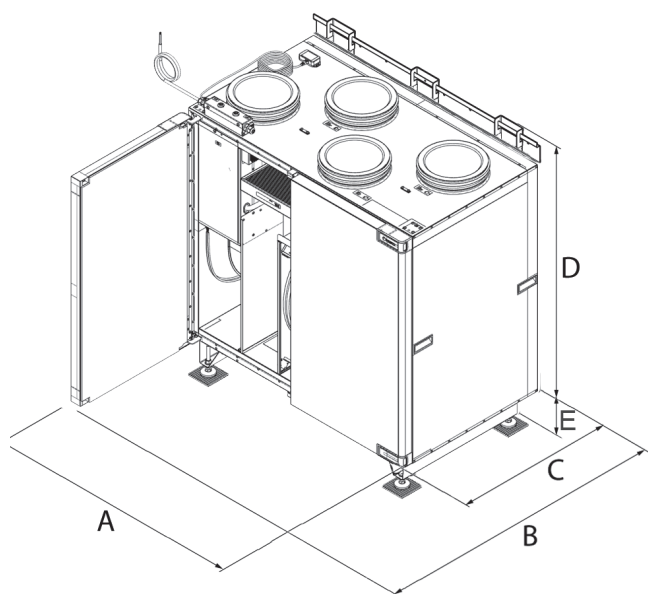
3.2 Förberedelse och placering

Vid placering av ventilationsaggregatet, säkerställ att det finns tillräckligt utrymme för att öppna dörrar och lock, för att komma åt eller byta ut filter, fläktar, rotor och anslutningar. Observera mått (A) speciellt vid montering av HERU S på vind och under snedtak.

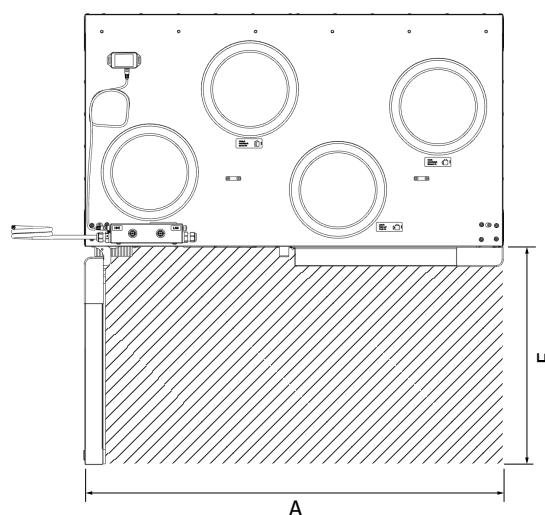
Måttet (A) och (F) – vy B för HERU T och vy E för HERU S visar den zon som måste vara fri för att kunna serva aggregatet. Vid montering av HERU S tänk på att montera aggregatet så kopplingslådan är mot servicegång eller dylikt. Motsatt flödesriktning (vänster) kan väljas för att få till en bättre placering av kanalanslutningarna – se avsnitt **3.4.3**. För placering av tempgivaren i tilluftskanalen och placering av antennen, se **3.4.2**

Se bilder och måttanvisningar.

HERU T



Vy A – Måttskiss.



Vy B – Servicezon

Monteringsavstånd för HERU T

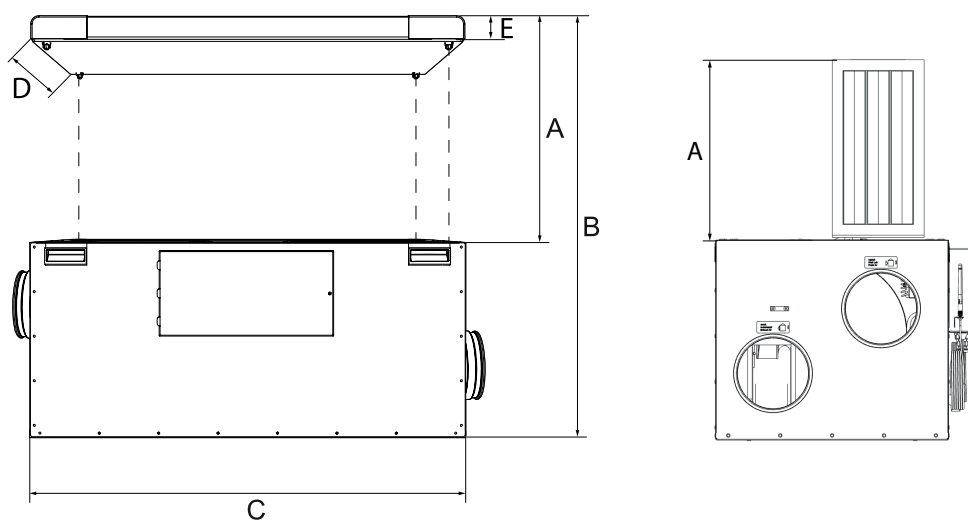
Modell	A	B	C	D	E	F
HERU 100 T EC RE/LE	796	990	492	759	–	498
HERU 160 T EC RE/LE	942	1130	559	919	–	571
HERU 200 T EC RE/LE	1124	1344	682	1135	100	662
HERU 300 T EC RE/LE	1124	1344	682	1135	100	662



AKTAS!

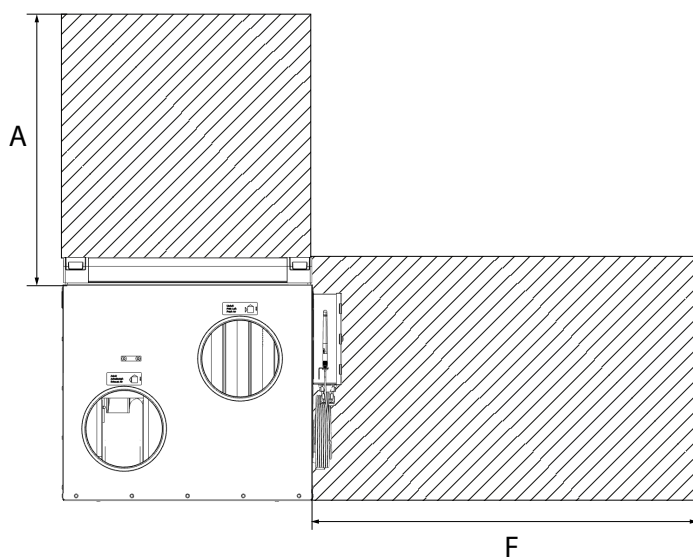
Driftsättningsprotokollet måste vara ifyllt för att garantin skall gälla. Finns i slutet av manualen.

HERU S



Vy C – Måttskiss.

Vy D – Mått med urtaget filter.



Vy E – Servicezoner.

Monteringsavstånd för HERU S

Modell (mm)	A	B	C	D	E	F
HERU 100 S EC	415	850	969	507	51	1000
HERU 160 S EC	519	1038	1131	574	51	1000
HERU 200 S EC	728	1456	1250	680	51	1000
HERU 300 S EC	728	1456	1250	680	51	1000

**AKTAS!**

Driftsättningsprotokollet måste vara ifyllt för att garantin skall gälla. Finns i slutet av manualen.

3.3 Laddning av trådlös display

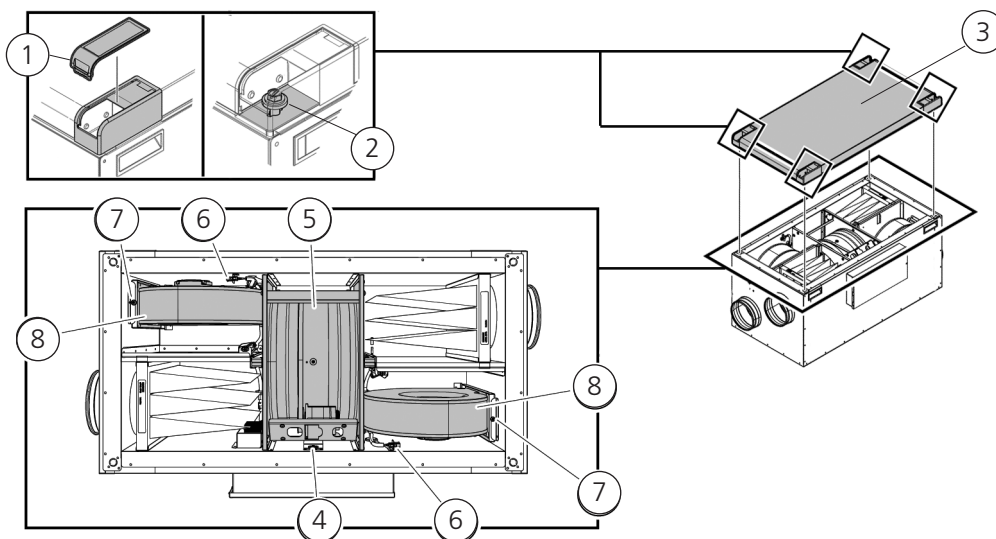
Förberedelser:

Inga förberedelser krävs.

1. Anslut laddarens mini USB-kontakt till den trådlösa displayen.
2. Anslut laddaren till vägguttaget.

3.4 HERU S

3.4.1 Demontera aggregatet för att minska vikten vid installation av HERU S.



Tillvägagångssätt för att demontera aggregat

- 1 Plastlock
- 2 Skruvar
- 3 Aggregatlock
- 4 Snabbkontakt till rotorkassett
- 5 Rotorkassett
- 6 Snabbkontakt tillfläkt
- 7 Torxskruv T25
- 8 Fläkt

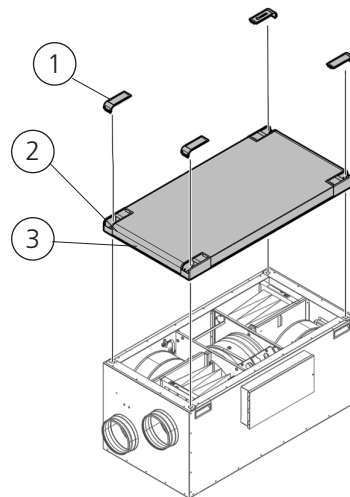
Förberedelser:

Verktyg

- Torx skruvmejsel T25
 - Spårskruvmejsel/13 mm hylsa
- Inga andra förberedelser krävs.

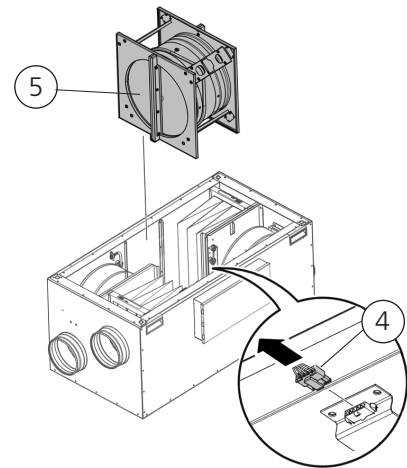
Ta bort aggregatets lock.

- ① Ta bort hörnens plastlock.
- ② Lossa skruvarna som håller aggregatlocket.
- ③ Lyft av locket.



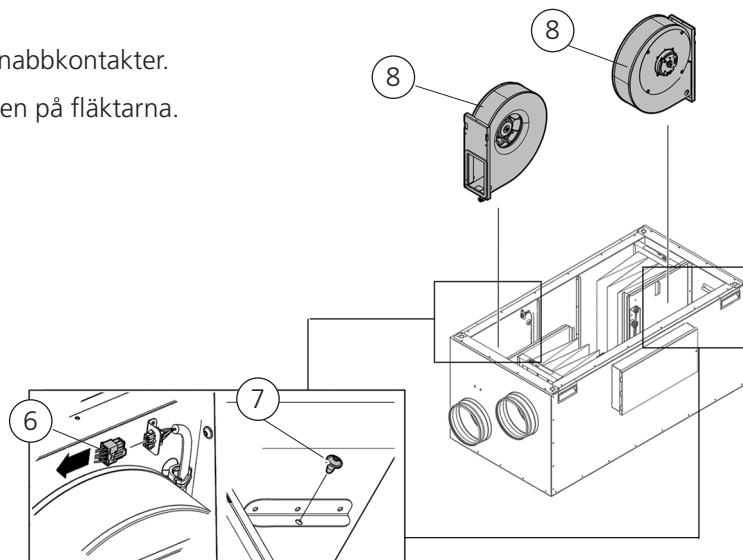
Ta ur rotorkassetten.

- ④ Koppla bort rotorkassetten snabbkontakt.
- ⑤ Ta ur rotorkassetten.



Ta ur fläktarna.

- ⑥ Koppla ur fläktarnas snabbkontakter.
- ⑦ Ta bort Torx T25-skruven på fläktarna.
- ⑧ Ta ur fläktarna.



3.4.2 Installation av HERU S



AKTAS!

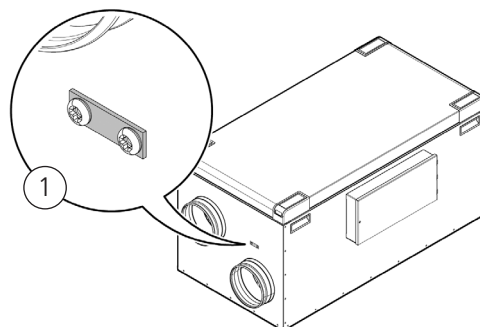
Spiskåpa får inte anslutas till aggregatet på grund av det ökade rengöringsbehovet.

Förberedelser:

- En isoleringsskiva måste placeras på installationsyta, gäller ej vid benmontering på Heru 200 S och 300 S.
- Monteringsavstånden, se **3.2 Förberedelse och placering**, måste följas.
- HERU S kan monteras i kallt eller varmt utrymme.
- Lokala bestämmelser för placering, åtkomst och elanslutningar måste beaktas vid installation av HERU S.
- Det dimensionerade luftflödet bör inte överstiga 75% av aggregatets maximala kapacitet.
- Vid installation på varma och fuktiga platser, till exempel badrum eller groventré, kan kondens uppstå på utsidan av aggregatet vid låga utomhustemperaturer.
- Om aggregatet installeras vid kallt väder och inte tas i drift direkt, måste kanalerna pluggas igen, annars finns det risk för kondens.
- Vi rekommenderar att alltid installera spjäll med fjäderretur i kanaler för ute- och avluft.
- Om det är stora skillnader mellan omgivande temperatur och temperaturen i kanalerna för till- och frånluft ska de isoleras för att förhindra kondens samt förbättra energieffektiviteten.
- Kanalerna för ute- och avluft ska alltid isoleras mot kondens.
- Kanalerna ska isoleras hela vägen fram till aggregatet.

Värmebatteri och spjäll

Om ett värmebatteri är anslutet ska spjäll med fjäderretur monteras i ute- och avluftskanalerna. Det minskar risken för frysning när aggregatet inte är i drift.



Jordpunkter för kanaler

Anslut kanalerna till någon av de externa jordpunkterna (1) på aggregatet.

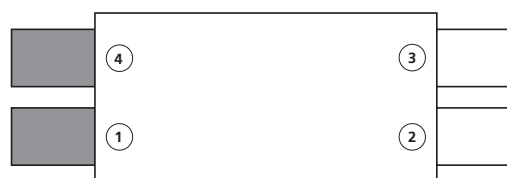
Kanalisolering

Alla kanaler bör isoleras enligt branschstandard. Bilderna visar ett minimum för att säkerställa full funktion på aggregatet.

- | | | |
|-----------|------------|-----------------|
| 1 Uteluft | 3 Frånluft | Isolerad |
| 2 Tilluft | 4 Avluft | Kondensisolerad |



Utrymme med utomhustemperatur



Utrymme med inomhustemperatur (> 16°C)

Verktyg

- Ø9 mm borrh
- Vattenpass
- Torxskruvmejsel T25

Material – HERU 100 S och 160 S

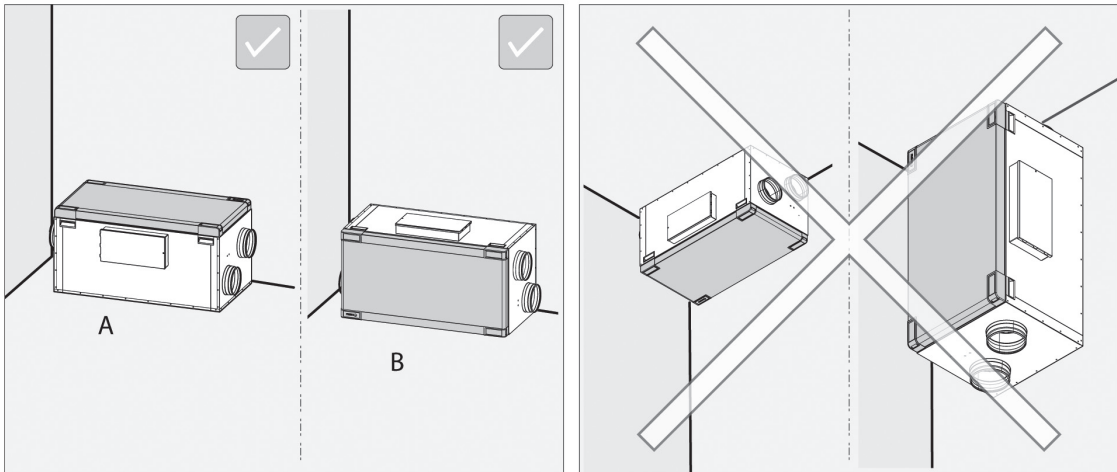
- Isoleringsskiva, minst 50 mm.
- Buntband
- Rörlämma eller fläns med omgivande isolering

Material – golvstående HERU 200 S och 300 S

- Isoleringsskiva, minst 50 mm. Gäller ej om stativ används.
- Buntband
- Golvstativ (finns som tillbehör)
- Rörlämma eller fläns med omgivande isolering

Placering

Installera HERU S med locket uppåt (A) eller åt sidan (B).



VARNING!

Installera inte aggregatet vertikalt eller med luckan nedåt på grund av skaderisken.

OBS! Säkerställ att utrymme finns runt aggregatet för service och underhåll.
Se **3.2 Förberedelse och placering**.

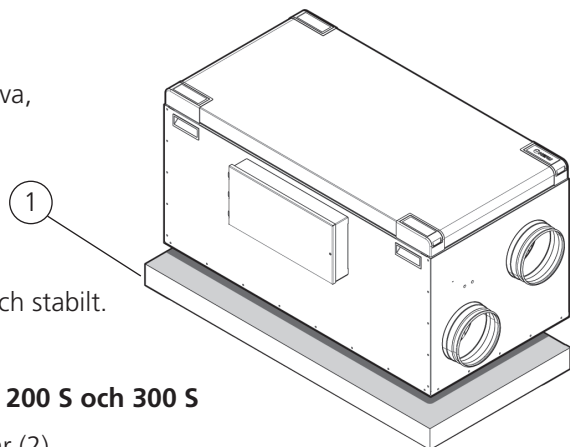
Golvstående utan stativ – gäller alla HERU S

Placera aggregatet på en stöttålig isoleringsskiva, minst 50 mm (1).

Säkerställ att aggregatet står i våg i både x- och y-led. Använd vattenpass.

OBS!

Underlaget för aggregatet måste vara jämnt och stabilt.



Golvstående med golvstativ (tillbehör) – gäller HERU 200 S och 300 S

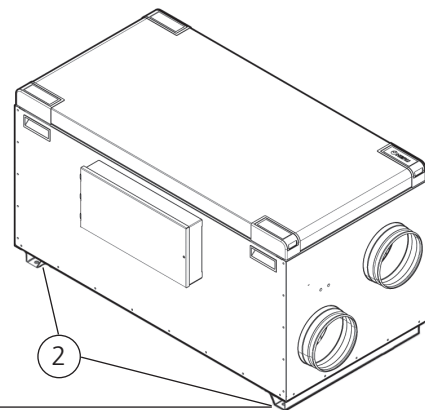
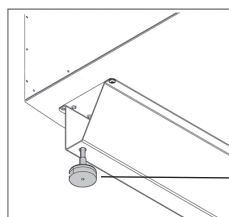
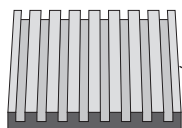
Montera golvstativen med medföljande skruvar (2).

Säkerställ att aggregatet står i våg i både x- och y-led.
Använd vattenpass. Justera fötterna vid behov (3).

OBS!

Underlaget för aggregatet måste vara jämnt och stabilt.

Tillbehöret vibrationsdämpande matta (Novibramatta) (4) kan läggas under fötterna för att minska vibrationer mot golvbjälklaget.



Anslut kanalerna till aggregatet

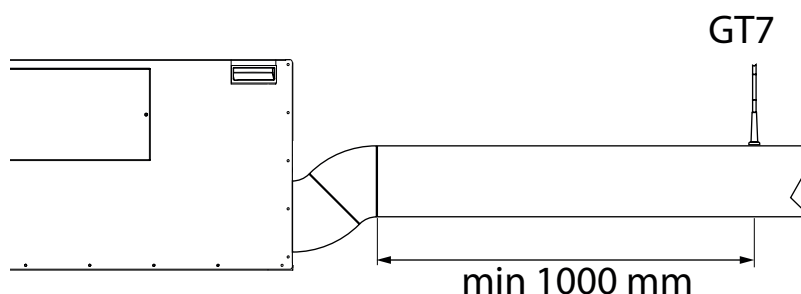
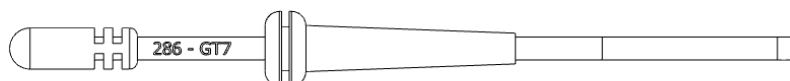
Använd rörlämma eller fläns med omgivande isolering.

Montera temperaturgivaren GT7

Montera tempgivaren för tilluftskanalen GT7, se bilderna nedan.

Se även – **8 Reglerschema** för översikt.

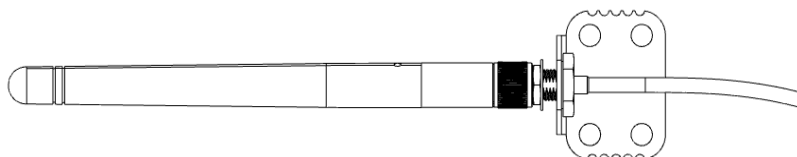
- Förbered kanalen. Borra ett Ø9 mm-hål, placera det cirka 1000 mm efter aggregatet, kyl- eller värmebatteri. Kanalen ska vara rak i 1000 mm före tempgivaren, dvs utan böjar.
- Montera kanalgivaren i det borrarade hålet. Kanalgivaren ska sitta centrerad i kanalen.
- Fixera kanalgivaren. Fäst ett buntband runt kabelgenomföringen.



Montera antennen

Fäst antennen på lämplig plats vid sidan om aggregatet. Fäst antennen så centralt som möjligt för att maximera signalen i byggnaden. Vid behov finns förlängningssladd som tillbehör.

Se webb; **Förlängningskabel – antenn IQC.**



AKTAS!

Antennen får inte fästas mot någon metallyta eller metallföremål då det blockerar signalen.



AKTAS!

Antennen får inte ligga kvar löst på, eller vid sidan av aggregatet.

3.4.3 För motsatt flödesriktning skall den elektriska värmaren flyttas och kopplas om

OBS!

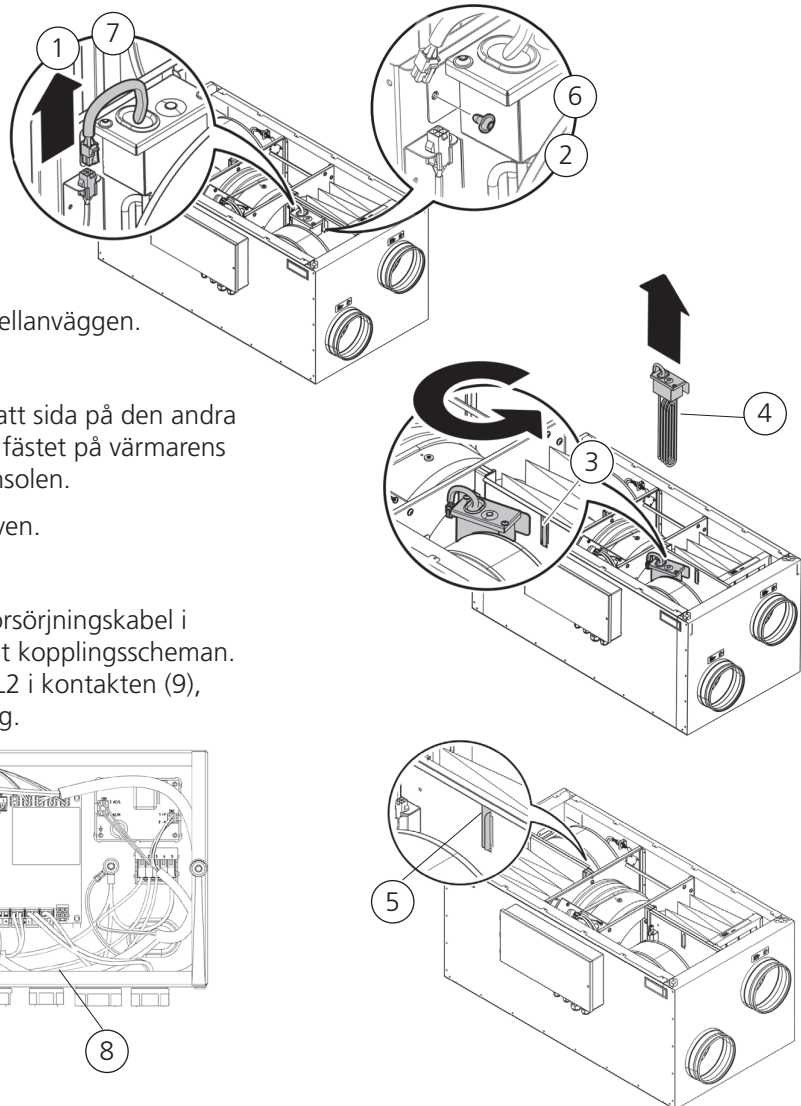
Vid leverans är aggregatet konfigurerat för luftflöde i standardriktningen. Om flödet behöver ändras till motsatt riktning måste den elektriska värmaren flyttas.

Förberedelser:

Verktyg

- Torx T25 skruvmejsel
- Inga andra förberedelser krävs.

- 1 Lossa snabbkontakten.
- 2 Lossa skruven.
- 3 Ta bort värmaren från mellanväggen.
- 4 Lyft ur värmaren.
- 5 Flytta värmaren till motsatt sida på den andra mellanväggen. Se till att fästet på värmarens högra sida placeras i konsolen.
- 6 Fäst värmaren med skruven.
- 7 Anslut snabbkontakten.
- 8 Flytta värmarens strömförsörjningskabel i kopplingsboxen (8) enligt kopplingsscheman. Byt kabel från HR2 till HL2 i kontakten (9), för motsatt flödesriktning.

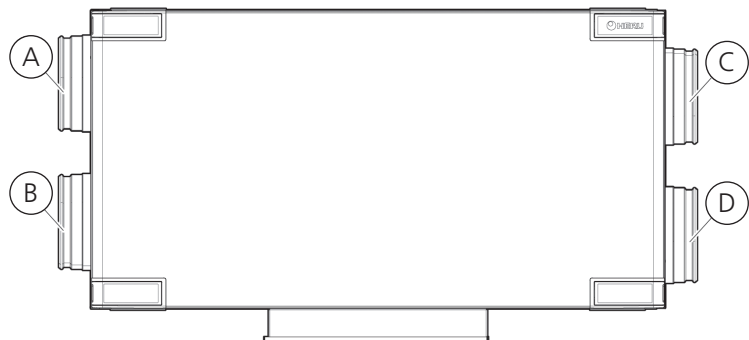


OBS!

För mer information om hur man konfigurerar aggregatet för motsatt flödesriktning, se **5.3 Anpassa aggregatet för flöde i motsatt riktning**.

Kanalanslutningarna vid motsatt flödesriktning.

- A Tilluft
- B Frånluft
- C Uteluft
- D Avluft



Byt ut etiketterna för luftflödesriktning på HERU S aggregatet till fyra nya etiketter från tillbehörslådan. Placera dem enligt figuren för motsatt flödesriktning.

3.4.4 Montera tillbaka delarna efter installation HERU S

Förberedelser:

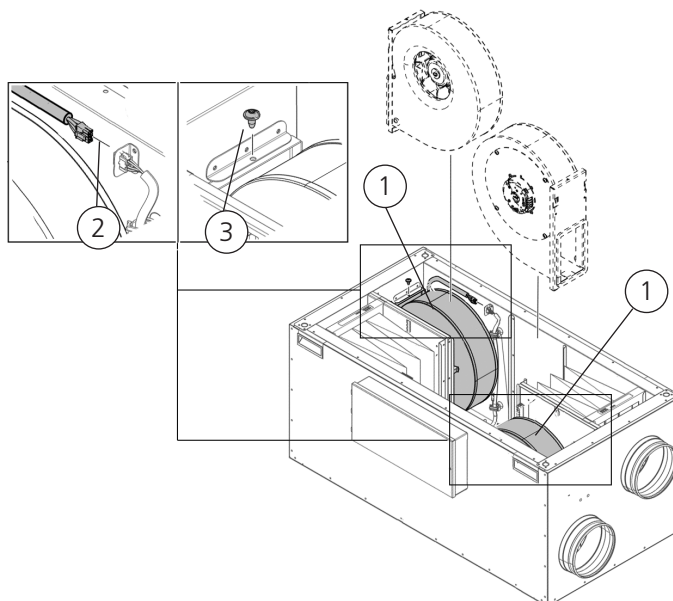
Verktyg

- Torx T25 skruvmejsel

Inga andra förberedelser krävs.

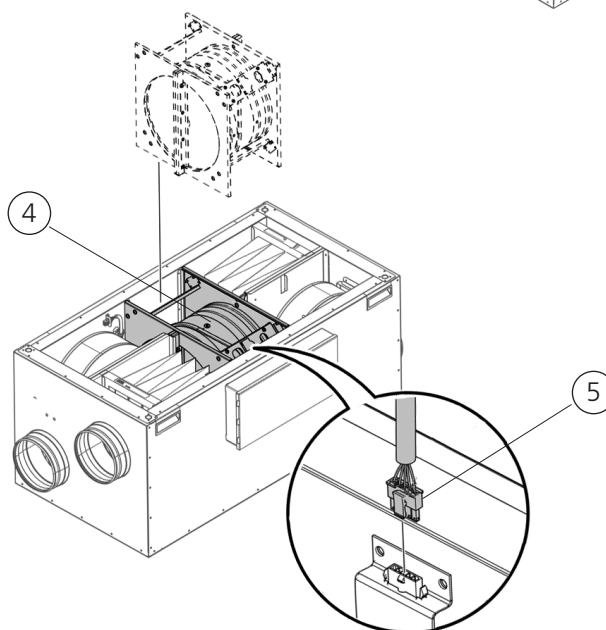
Montera tillbaka fläktarna.

- 1 Lyft ner fläktarna.
- 2 Skruva fast fläktarna med Torx T25-skruvarna.
- 3 Koppla in fläktarnas snabbkontakt



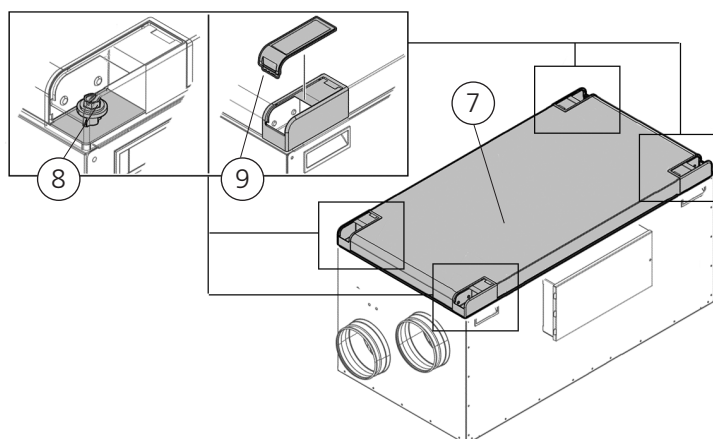
Montera tillbaka rotorkassetten.

- 4 Lyft ner rotorkassetten.
- 5 Koppla in rotorkassetts snabbkontakt.



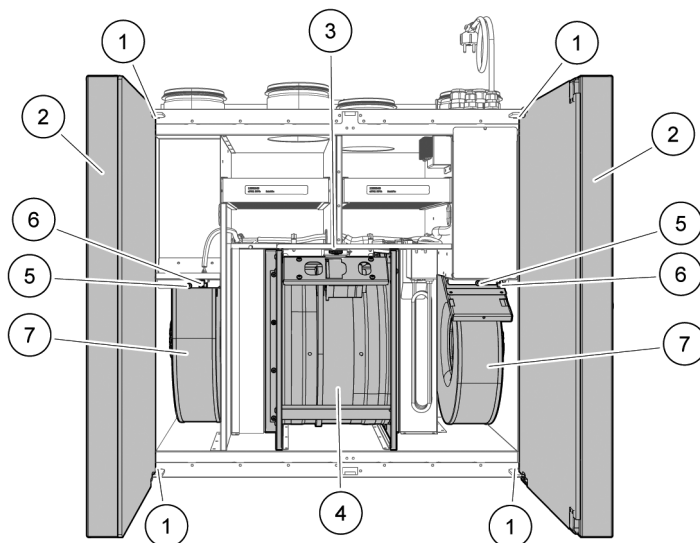
Montera tillbaka aggregatets lock.

- 7 Placera locket på aggregatet.
- 8 Dra åt skruvarna medurs.
- 9 Klicka fast hörnens plastlock.



3.5 HERU T

3.5.1 Demontera aggregatet för att minska vikten vid installation HERU T



Tillvägagångssätt för att demontera aggregat

- ① Övre och nedre dörrskruv
- ② Aggregatets dörrar
- ③ Rotorkassetten snabbkontakt
- ④ Rotorkassett
- ⑤ Torxskruv T25
- ⑥ Snabbkontakt
- ⑦ Fläktar

Förberedelser:

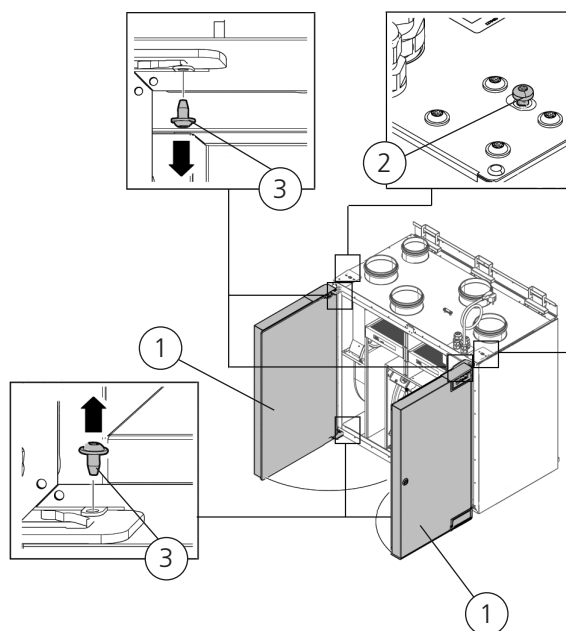
Verktyg

- Torxskruvmejsel T25
 - Spårskruvmejsel
 - Insexnyckel 4 mm med kula
- Inga andra förberedelser krävs.

Demontera aggregatets dörrar.

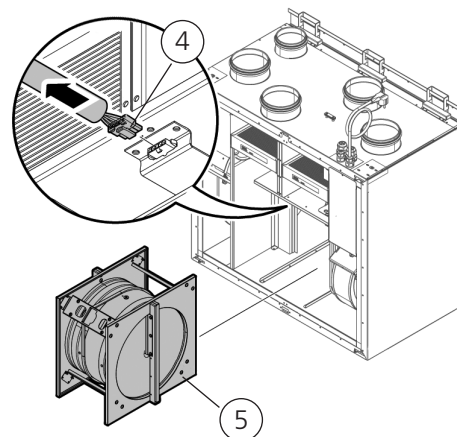
- ① Öppna aggregatets dörrar.
- ② Lossa skruvarna.
- ③ Håll dörren och ta bort de övre och nedre skruvarna.

Dra dörren utåt för att frigöra den från aggregatet.



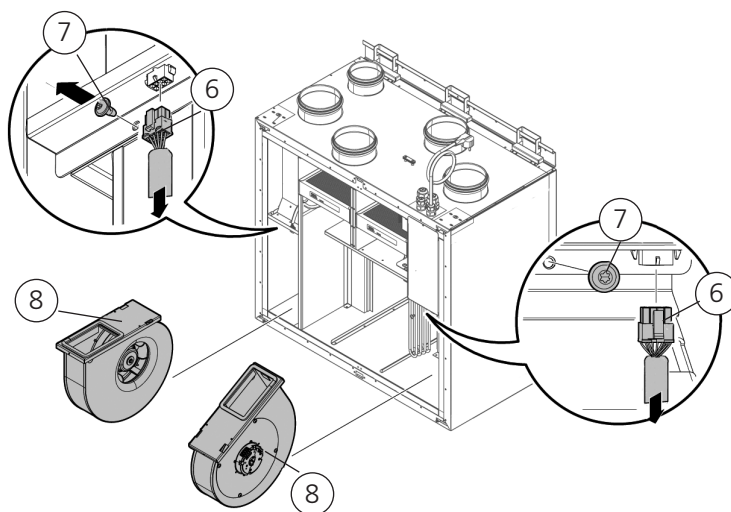
Ta ur rotorkassetten.

- ④ Ta bort rotorkassetts snabbkontakt.
- ⑤ Dra ut rotorkassetten.



Ta ur fläktarna.

- ⑥ Ta bort snabbkontaktarna till fläktarna.
- ⑦ Skruva loss Torx T25-skruvarna på fläktarna.
- ⑧ Ta ur fläktarna.



3.5.2 Installation HERU T

Förberedelser

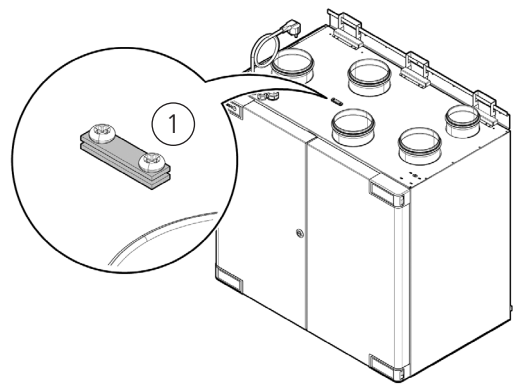
- Monteringsavstånden, se **3.2 Förberedelse och placering**, ska följas.
 - HERU T ska monteras i varmt utrymme.
 - Lokala bestämmelser för placering, åtkomst och elanslutningar måste beaktas vid installation av HERU T.
 - Det dimensionerade luftflödet bör ej överstiga 75% av aggregatets maximala kapacitet.
 - Vid installation på varma och fuktiga platser, till exempel badrum eller groventré, kan kondens uppstå på utsidan av aggregatet vid låga utomhustemperaturer. Om aggregatet installeras vid kallt väder och inte tas i drift direkt måste kanalerna pluggas igen, annars finns det risk för kondens.
 - Om det är stora skillnader mellan omgivande temperatur och temperaturen i kanalerna för till- och frånluft måste de isoleras för att förhindra kondens samt förbättra energieffektiviteten.
 - Kanalerna för ute- och avluft ska alltid isoleras mot kondens.
 - Kanalerna ska isoleras hela vägen fram till aggregatet.
- Inga andra förberedelser krävs.

Verktyg

- Vattenpass
- Torxskruvmejsel T25

Värmebatteri och spjäll

Om ett värmebatteri är anslutet ska spjäll med fjäderretur monteras i ute- och avluftskanalerna. Det minskar risken för frysning när aggregatet inte är i drift.



Jordpunkter för kanaler

Anslut kanalerna till någon av de externa jordpunkterna (1) på aggregatet.

Kanalisolering

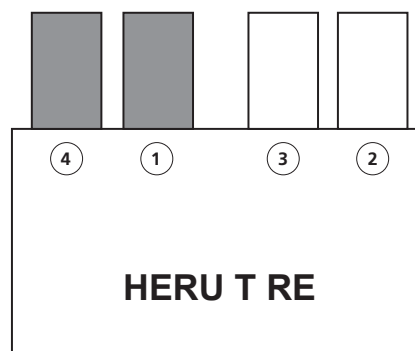
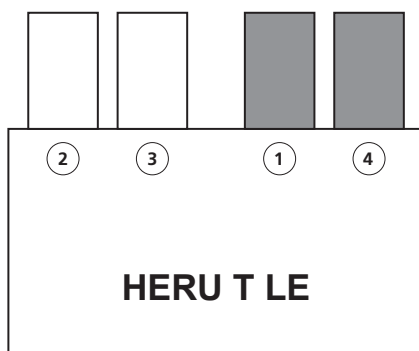
Alla kanaler bör isoleras enligt branschstandard. Bilderna visar ett minimum för att säkerställa full funktion på aggregatet.

1 Uteluft
2 Tilluft

3 Frånluft
4 Avluft

▨ Isolerad

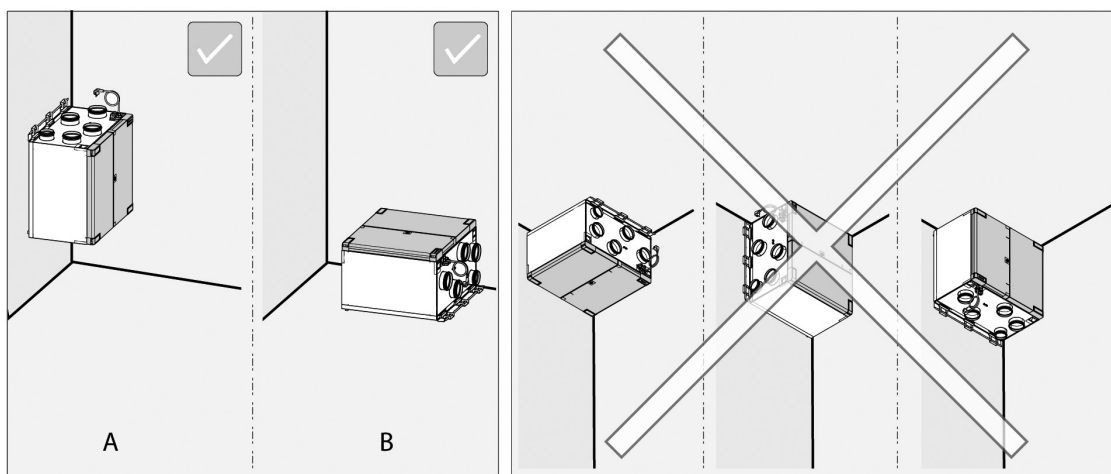
■ Kondensisolerad



Material – vägghängd HERU 100 T och 160 T	Material – golvstående HERU 100 T och 160 T	Material – golvstående HERU 200 T och 300 T
• Fästelement som är lämpliga för väggens konstruktion och skick	• Golvstativ (finns som tillbehör)	• Rörklämma eller fläns med omgivande isolering
• Rörklämma eller fläns med omgivande isolering	• Rörklämma eller fläns med omgivande isolering	

3.5.3 Vägghängd HERU 100 och 160 T

Installera HERU T med kanalanslutningarna uppåt (A) eller åt sidan med dörrarna uppåt (B).



VARNING!

Installera inte aggregatet med kanalanslutningarna eller luckorna nedåt på grund av skaderisken.



AKTAS

Aggregatet måste vara monterat på en isolerad vägg. Undvik väggar mot sovrum.

OBS!

Säkerställ att det finns utrymme för service och underhåll. Se **3.2 Förberedelse och placering**.

1. Fäst de självhäftande gummikuddarna (1) i de bakre nedre hörnen, en gummikudde i varje nedre hörn (HERU 100,160 T) och en i mitten (HERU 160 T).

2. Ta bort skruvarna (2), 3 skruvar för HERU 100 T, 4 skruvar för HERU 160 T. Ta bort väggkonsolen från HERU aggregatet.

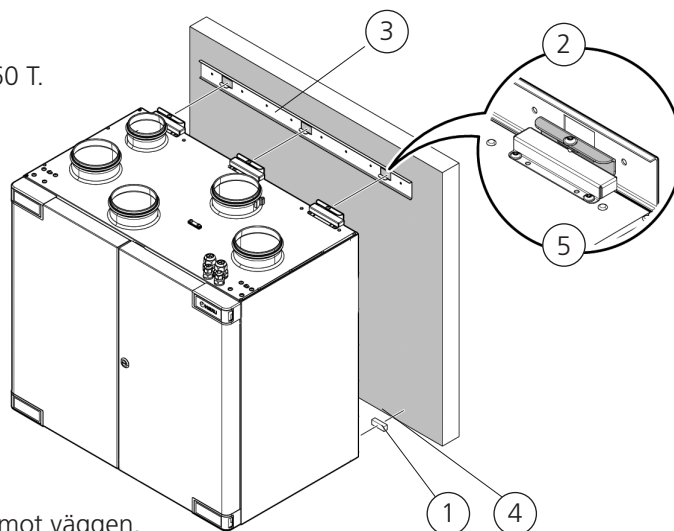
3. Fäst väggkonsolen (3) horisontellt på den isolerade väggen (4) med rätt antal och typ av fäst element. Skruvhål i väggkonsol ska placeras 27 mm ovanför aggregatets topp.

4. Vinkla ut underdelen på aggregatet från väggen, häng aggregatet på konsolen och låt aggregatets underdel falla tillbaka mot väggen.

5. Justera aggregatet i sidled för att uppnå rätt läge.

6. Säkerställ att de självhäftande gummikuddarna (1) har bra kontakt med väggen

7. Fäst aggregatet på väggkonsolen med medföljande skruvar (5) (3 skruvar för HERU 100 T, 4 skruvar för HERU 160 T).



Golvstående HERU 160 T med golvstativ som tillbehör

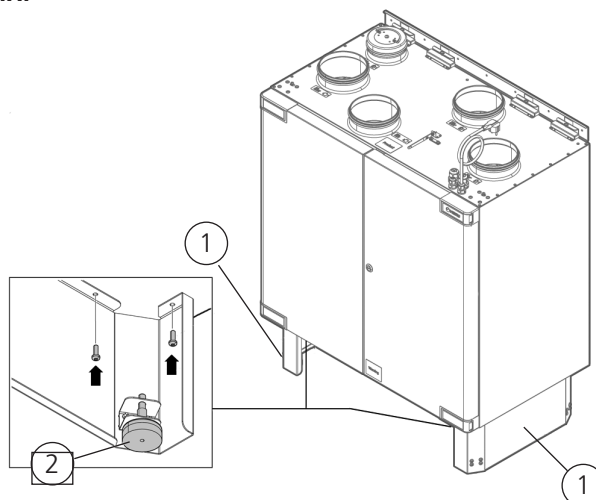
OBS!

Underlaget för aggregatet måste vara jämnt

OBS!

Tillbehöret Novibramatta kan läggas under f
för att minska vibrationer mot golvbjälklaget

- 1 Montera golvstativen med medföljande skruvar.
- 2 Säkerställ att aggregatet står i våg i både x-och y-led.
Använd vattenpass.
Justera fötterna vid behov.



Golvstående HERU 200 och 300 T inkl. golvstativ

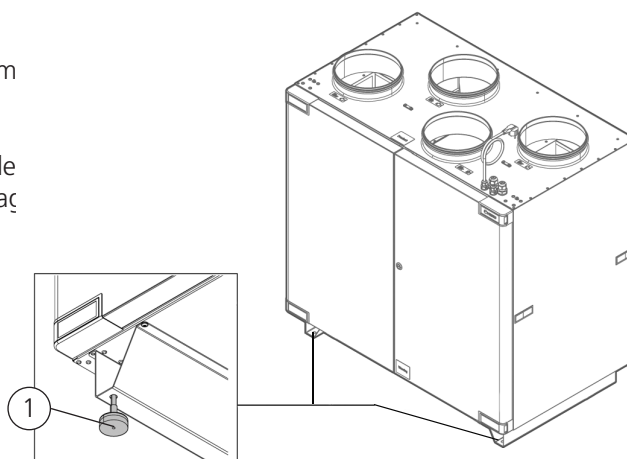
OBS!

Underlaget för aggregatet måste vara jäm

OBS!

Tillbehöret Novibramatta kan läggas unde
för att minska vibrationer mot golvbjälklag

- 1 Säkerställ att aggregatet står i våg i både x-och y-led.
Använd vattenpass.
Justera fötterna vid behov.



Spiskåpa

HERU 100 och 160 T är utrustade med spiskåpeanslutning som standard, där luften från spiskåpan inte passerar filter eller den roterande värmeväxlaren. Vid aktivering av spiskåpan startas HERU-aggregatets förinställda forceringsläge och skapar ett utsug från spiskåpan.

Spiskåpan ska:

- vara utrustad med spjäll. Spiskåpan får EJ ha integrerad fläkt.
- kopplas in i aggregatet via tvåledad, 0,75 mm² kabel.
- vara utrustad med en potentialfri kontakt som sluter kretsen då spiskåpan aktiveras.

Om en spiskåpa ska anslutas till systemet demonteras det isolerade locket från aggregatets spiskåpeanslutning och kanal från spiskåpa monteras istället.



VARNING!

Säkerställ att installationen uppfyller lokala och nationella krav på brandsäkerhet.



AKTAS!

Spiskåpa som ansluts till HERU T får inte ha en integrerad fläkt.



AKTAS!

Spiskåpa får EJ anslutas till HERU 200 och 300 T.

1. Montera spiskåpan enligt tillverkarens anvisningar.
2. Dra in den tvåledade kabeln från spiskåpan i HERU-aggregatet genom en av de lediga kabelgenomföringarna i aggregatets topp.
3. Anslut spiskåpan till systemet genom att demontera det isolerade locket på aggregatets översida.
4. Montera kanal från spiskåpa på aggregatets kanalanslutning, märkt med spiskåpa.
5. Lossa muttern på kabelgenomföringen och ta bort en av genomföringens pluggar.
6. Dra igenom lämplig längd av kabeln för anslutning på styrkortet.
7. Dra ur den löstagbara plinten på position D2 och anslut kabel från spiskåpan i denna.
8. Tryck därefter tillbaka plinten på dess position D2.

Inga ytterligare åtgärder krävs.

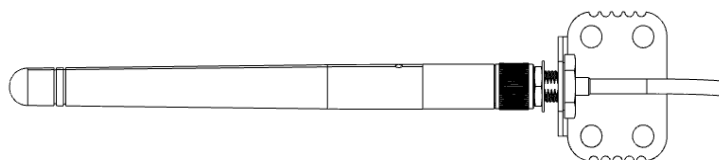
Anslut kanalerna till aggregatet

Använd rörklämma eller fläns med omgivande isolering.

Montera antennen

Fäst antennen på lämplig plats vid sidan om aggregatet. Fäst antennen så centralt som möjligt för att maximera signalen i byggnaden. Vid behov finns förlängningsladd som tillbehör.

Se webb; **Förlängningskabel – antenn IQC.**



AKTAS!

Antennen får inte fästas mot någon metallyta eller metallföremål då det blockerar signalen.



AKTAS!

Antennen får inte ligga kvar löst på, eller vid sidan av aggregatet.

3.5.3 Montera tillbaka delarna efter installation HERU T

Förberedelser:

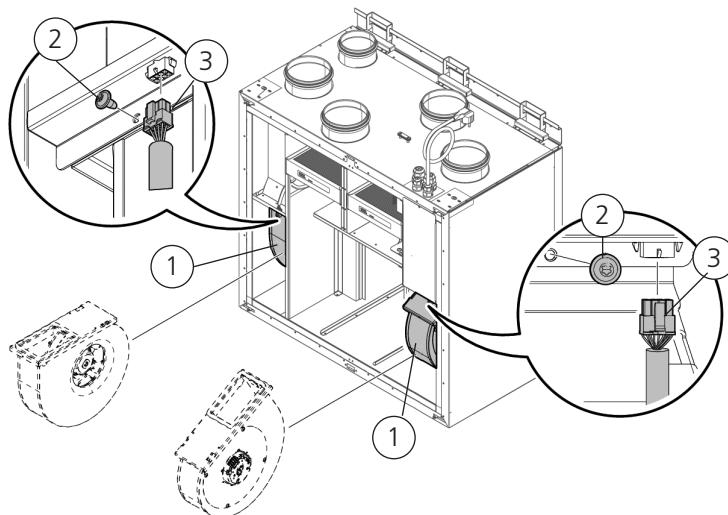
Inga förberedelser krävs.

Verktyg

- Torxskruvmejsel T25
- Insexnyckel 4 mm med kula

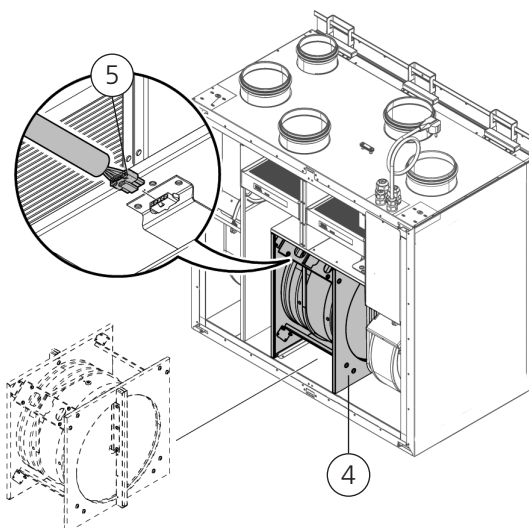
Montera tillbaka fläktarna.

- 1 Skjut in fläktarna.
- 2 Skruva fast Torx T25-skrivarna på fläktarna.
- 3 Koppla in fläktarnas snabbkontakter.



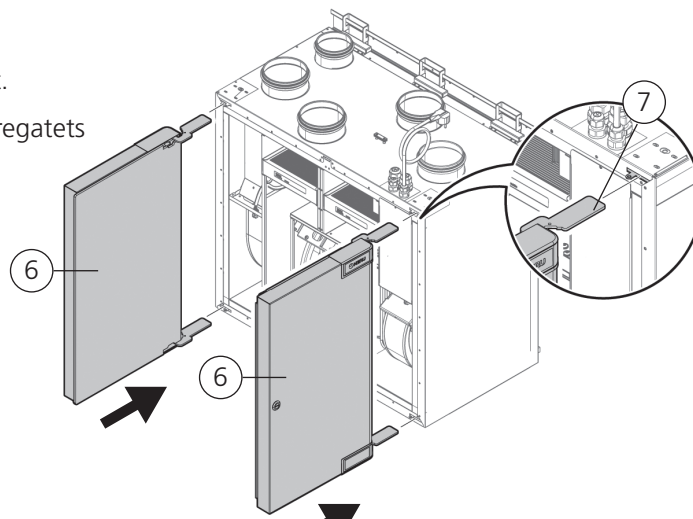
Montera tillbaka rotorkassetten.

- 4 Skjut in rotorkassetten i aggregatet.
- 5 Sätt fast rotorkassetten snabbkontakt.



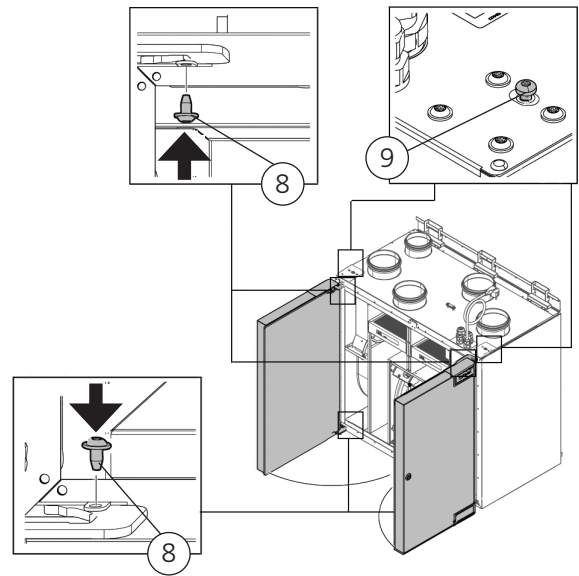
Montera tillbaka dörrarna.

- 6 Sätt fast dörrarna på aggregatet.
- 7 Tryck i dörrarnas gångjärn i aggregatets gångjärnsfästen.



- ⑧ Håll dörrarna och skruva i övre och nedre skruvarna.
- ⑨ Skruva därefter åt låsskruvarna.

Stäng aggregatets dörrar.



3.6 Anslut aggregatet till strömkälla

**VARNING!**

Aggregatet måste alltid vara utrustat med en jordfelsbrytare (RCD) typ A eller B, 30 mA. Aggregat utan stickkontakt måste installeras med en säkerhetsbrytare som ska vara monterad i närheten.

**VARNING!**

Aggregat med stickkontakt ska avsäkras med en C10 A-säkring.

**VARNING!**

Aggregat utan stickkontakt ska avsäkras med en 2x10 A-säkring tillsammans med 2,5 mm² ledare.

**VARNING!**

Alla elinstallationer måste utföras av en behörig elektriker.

**VARNING!**

Säkerhetsbrytaren får inte användas till normal start och stopp av aggregatet. Använd den medföljande trådlösa displayen.

**VARNING!**

Se till att strömkabeln inte skadas under montering och installation.

**VARNING!**

Alla åtgärder på aggregatet och dess kringutrustning måste utföras i enlighet med lokala lagar och bestämmelser.

**VARNING!**

Se till att det inte finns några lösa delar inuti aggregatet och att dörrarna är stängda och låsta innan strömmen slås på.

Förberedelser:

Inga förberedelser krävs.

1. Om aggregatet har en stickkontakt ska en C10A-säkring användas.
2. Om aggregatet inte har någon stickkontakt ska en 2x10A-säkring tillsammans med 2,5 mm² ledare användas (värmare och energiåtervinningsaggregat).
3. Installera en säkerhetsbrytare i närheten av aggregatet.

OBS!

Säkerhetsbrytaren får inte användas till normal start och stopp av aggregatet. Använd medföljande trådlös display.

3.7 Anslutning av Modbus till extern styrutrustning

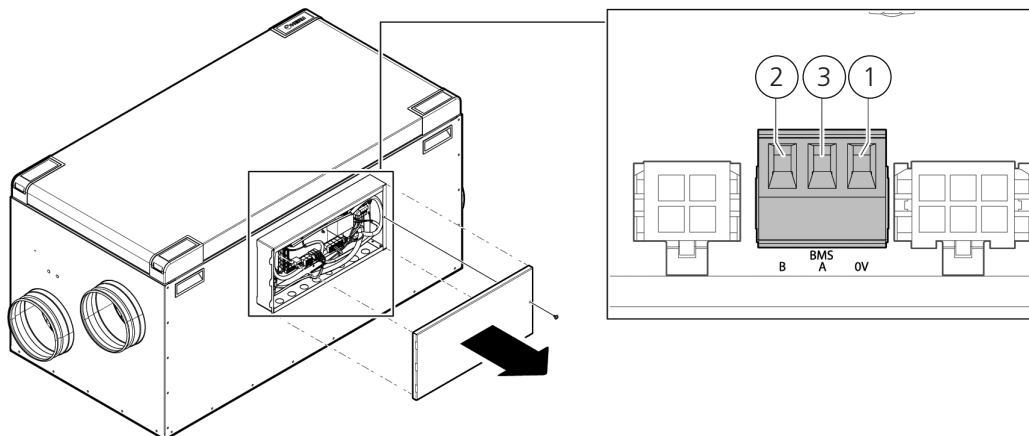
Förberedelser:

- Den externa styrutrustningen måste stödja Modbus RTU dataprotokoll som används för RS485 för att kommunicera med aggregatet.

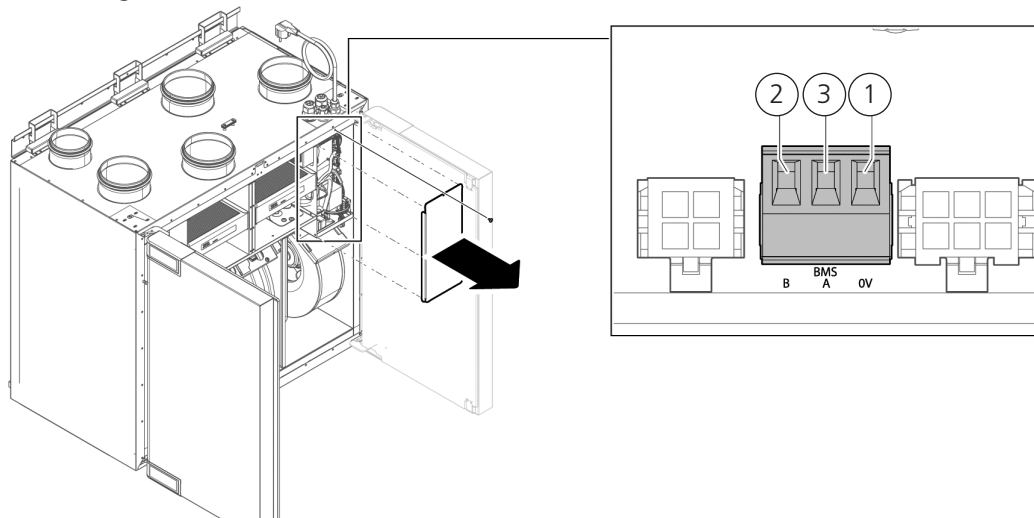
Verktyg

- Torxskruvmejsel T25
- Spårskruvmejsel (endast HERU T)

Anslutning av Modbus till HERU S.



Anslutning av Modbus till HERU T.



- 1 Anslut GND till 0.



AKTAS!

Om ingen ledare är ansluten till terminal 0 kan spänningspotential skada utrustningen.

- 2 Anslut Rx-/Tx- till B.
- 3 Anslut Rx+/Tx+ till A.

OBS!

För mer information om hur man konfigurerar Modbus via den trådlösa displayen, se **5.4 Konfigurera aggregatet** för Modbus.

3.8 Avslutande rutiner

Förberedelser:

Inga förberedelser krävs.

1. Säkerställ att det inte finns några lösa delar inuti aggregatet och att aggregatets lock/dörrar är stängda och låsta.
2. Säkerställ att produkten är i drift och att inga larm är aktiva.
3. Samla ihop alla verktyg.
4. Meddela berörda personer att arbetet är slutfört.
5. Följ rutinerna för retur och avlägsnande av utbytta delar och förpackningsmaterial.
6. Fyll i aktuella punkter i driftsättningsprotokollet, protokollet finns i slutet av manualen.

4 Driftsättning



VARNING!

Aggregatets kanaler måste vara anslutna, luckor/dörrar stängda och skruvarna åtdragna innan aggregatet startas för att undvika risk för personskada av roterande delar.



VARNING!

Filter måste vara installerade innan aggregatet används.



AKTAS!

Driftsättningsprotokollet måste vara ifyllt för att garantin skall gälla. Finns i slutet av manualen.

För information om servicemenyn, se **6 Menyöversikt**.

För information om aktiv vy i den trådlösa displayen, tryck på **i-knappen** i displayens statusrad.

4.1 Första uppstart av HERU-aggregatet

Förberedelser:

Inga förberedelser krävs.

1. Strömsätt HERU-aggregatet.
 - Om aggregatet har en stickkontakt, anslut den till ett uttag.
 - Om aggregatet inte har någon stickkontakt, slå på strömmen med säkerhetsbrytaren.
2. Väck displayen genom att ansluta den medföljande laddkabeln till displayen. Anslut laddkabeln via 220V adapter till vägguttag.

OBS!

Den trådlösa displayen är parkopplad vid leverans. Om extra display önskas måste denna parkopplas. Se manual Drift och underhåll, **4.2 Parkoppla enheter**.

3. Displayen synkroniserar. När detta är klart, tryck på **HERU-symbolen** i displayen.
4. Tryck på "**Starta aggregat**". Därefter startar aggregatet upp första gången genom en ca 15 min lång startsekvens.

OBS!

Aggregatet agerar inte på några kommandon innan startsekvensen är klar.

5. När startsekvensen är klar är aggregatet i drift enligt de förinställda värdena.
6. Kontrollera att den senaste versionen av programvaran är installerad.
 - Gå in på **Inställningar/Om/Version** i den trådlösa displayen.
 - Jämför versionen mot den senast publicerade versionen av programvaran. på <https://www.ostberg.com>.
 - Om ny version av programvaran finns tillgänglig, se manual Drift och underhåll, **4.15 Uppdatera programvara**.

4.2 Konfigurera aggregatet

Förberedelser:

Förbered konfiguration genom att ha värden för följande parametrar tillhands:

- Typ av värmare
- **Värme**, Välj **Elektriskt**. **Vatten** är valbar om ett extern värmevattenbatteri är anslutet.
- Önskad styrmetod
- Maximal gräns för börvärde för temperatur
- Temperaturgränser för tilluft
- Varmhållningstemperatur och gränser för frysskydd
- För **Brytare inmatning kontaktfunktion**: om normalt öppen (NO) eller normalt stängd (NC) för:
 - Brandlarm**
 - Pumplarm**
 - Forcering**
 - Övertryck**
 - Utökad drift**
 - Bortaläge**
 - Filter**
- Brytarens inmatningssignaltyper för **Forcering**, **Borta** och **Utökad drift**.
- **Larmklass**: A eller B.
- **Varningar larmrelä**: på/av
- **Flödesriktning**
- **Standard fläkthastighet** för **Tilluft** och **Frånluft**
- **Minsta fläkthastighet** för **Tilluft** och **Frånluft**
- **Maximal fläkthastighet** för **Tilluft** och **Frånluft**
- **Filterkontroll: Timer**

1. Öppna huvudmenyn, välj **Service**.
2. Logga in. Ange kod 1991.
3. Välj **Wizard**.
4. Klicka på **OK** i dialogrutan som visas.
5. Följ wizarden för att göra alla inställningar.
6. Klicka på knappen **Klar**.
7. Gå tillbaka till huvudmenyn. Klicka på pilen i det nedre vänstra hörnet eller på knappen huvudmeny i det övre vänstra hörnet.
8. Gå tillbaka till startskärmen. Klicka på **x** i det övre vänstra hörnet.

4.3 Anpassa aggregatet för flöde i motsatt riktning

Förberedelser:

- HERU S endast: Den elektriska värmaren måste vara monterad för flöde i motsatt riktning. Inga andra förberedelser krävs.

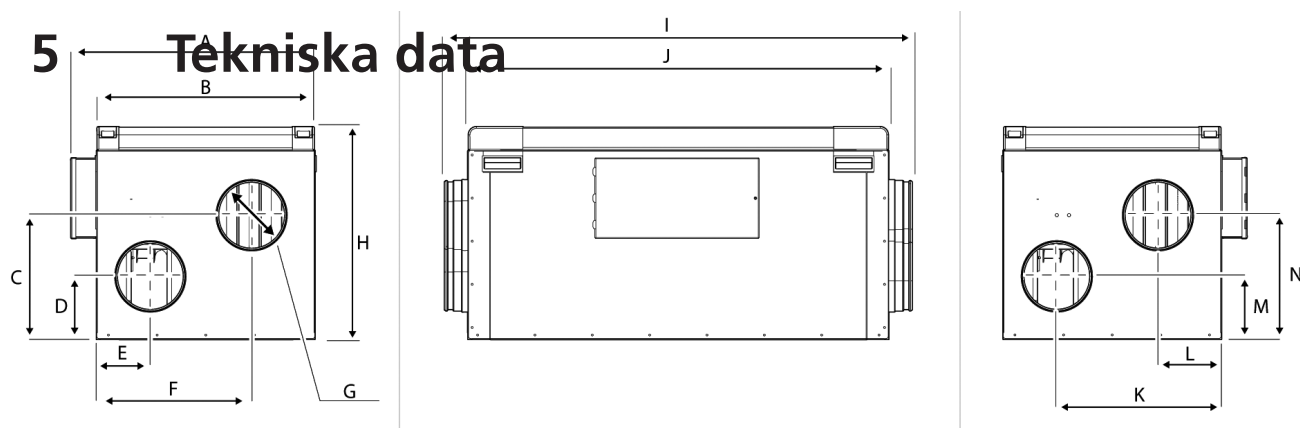
1. Öppna huvudmenyn, välj **Service**.
2. Logga in. Ange kod 1991.
3. Välj **Fläktstyrning**.
4. Klicka på **OK** i dialogrutan som visas.
5. I alternativet **Flöde** välj **Motsatt**.
6. Gå tillbaka till huvudmenyn. Klicka på pilen i det nedre vänstra hörnet eller på knappen huvudmeny i det övre vänstra hörnet.
7. Gå tillbaka till startskärmen. Klicka på **x** i det övre vänstra hörnet.

4.4 Konfigurera aggregatet för Modbus

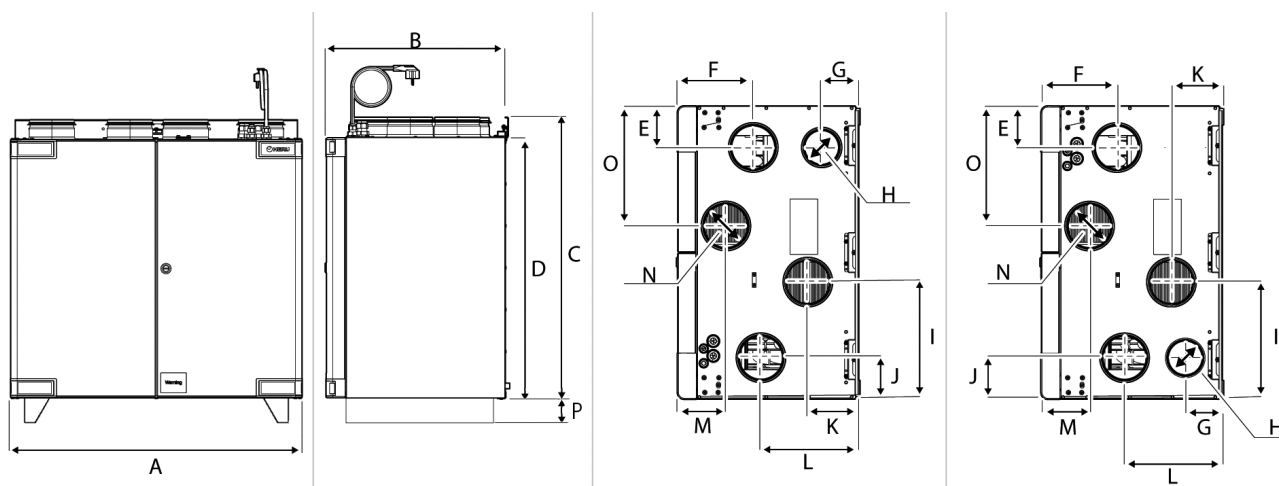
Förberedelser:

- ID och baudhastighet måste motsvara kundens inställningar. Inga andra förberedelser krävs.

1. Ladda ner det fullständiga Modbusregistret här: <https://www.ostberg.com>.
2. Öppna huvudmenyn, välj **Service**.
3. Logga in. Ange kod 1991.
4. Välj **Kommunikation**.
5. I alternativet **Modbus** ställer du in följande värden:
 - Adress
 - Baud
 - Stopbit
 - Paritet
6. Gå tillbaka till huvudmenyn. Klicka på pilen i det nedre vänstra hörnet eller på knappen huvudmeny i det övre vänstra hörnet.
7. Gå tillbaka till startskärmen. Klicka på **x** i det övre vänstra hörnet.

**HERU S**

	HERU 100 S EC	HERU 160 S EC	HERU 200 S EC	HERU 300 S EC
Total effekt (W)	1420	2020	2620	2930
Vikt (kg)	60	80	96	99
Mått (mm)				
A	562	631	740	740
B	507	574	683	683
C	285	346	497	497
D	145	176	199	199
E	124	152	182	182
F	357	405	494	494
G	Ø 160 (4x)	Ø 200 (4x)	Ø 250 (4x)	Ø 250 (4x)
H	488	570	679	679
I	1075	1236	1352	1352
J	969	1131	1250	1250
K	379	418	498	498
L	146	165	186	186
M	145	176	199	199



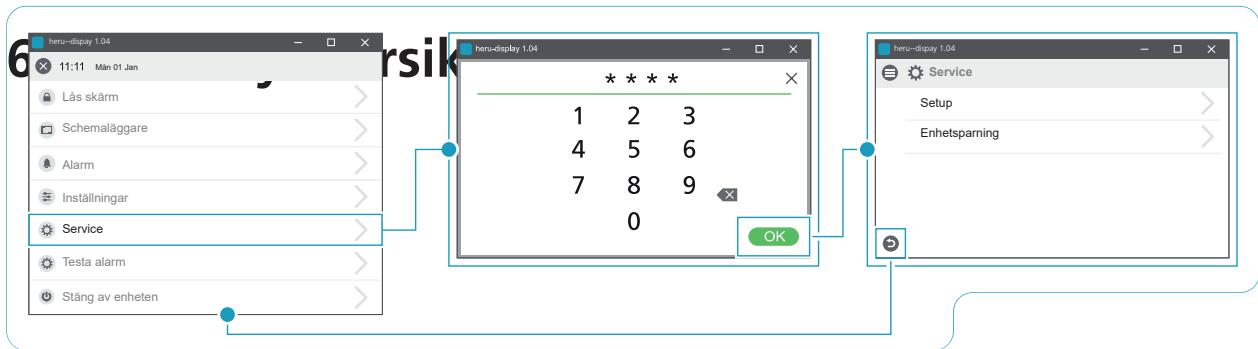
RE

LE

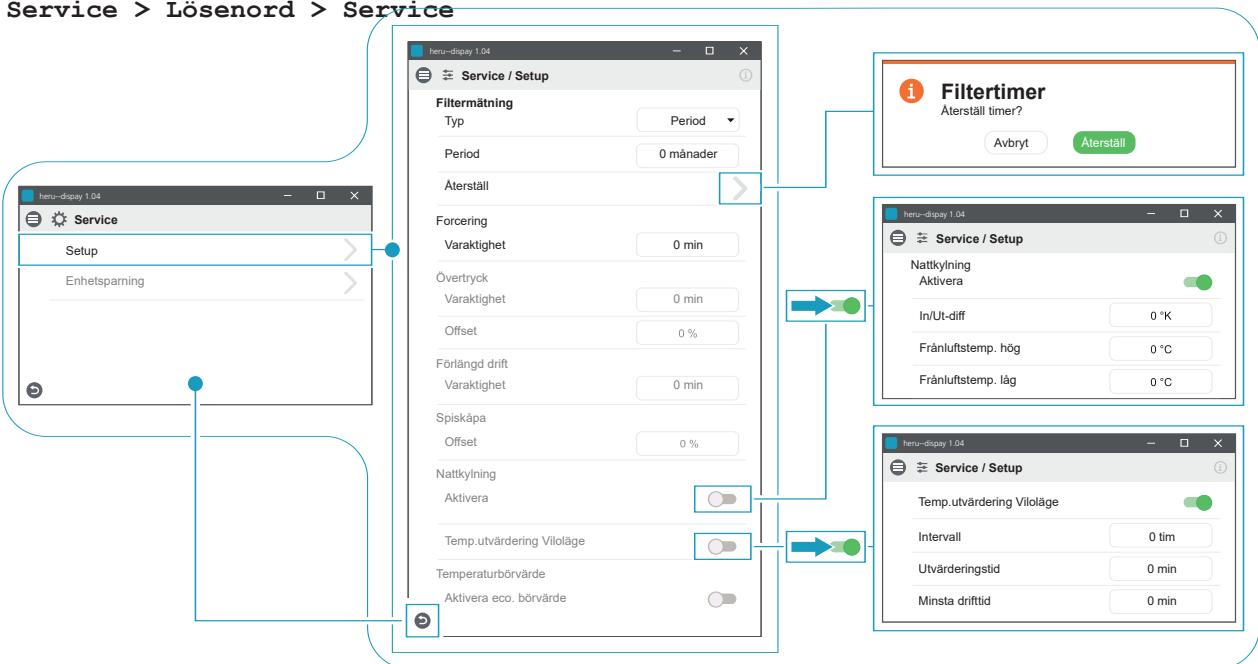
HERU T

	HERU 100 T EC	HERU 160 T EC	HERU 200 T EC	HERU 300 T EC
Total effekt (W)	1420	2020	2620	2930
Vikt (kg)	70	98	135	138
Mått (mm)				
A	796	942	1124	1124
B	492	559	682	682
C	759	919	1135	1135
D	705	865	1082	1082
E	113	132	177	177
F	204	249	255	255
G	101	113	–	–
H	Ø 100 (1x)	Ø125 (1x)	–	–
I	318	370	442	442
J	112	130	174	174
K	138	138	474	474
L	265	310	250	250
M	130	149	479	479
N	Ø 125 (4x)	Ø 160 (4x)	Ø 250 (4x)	Ø 250 (4x)
O	326	372	446	446
P	–	–	100	100

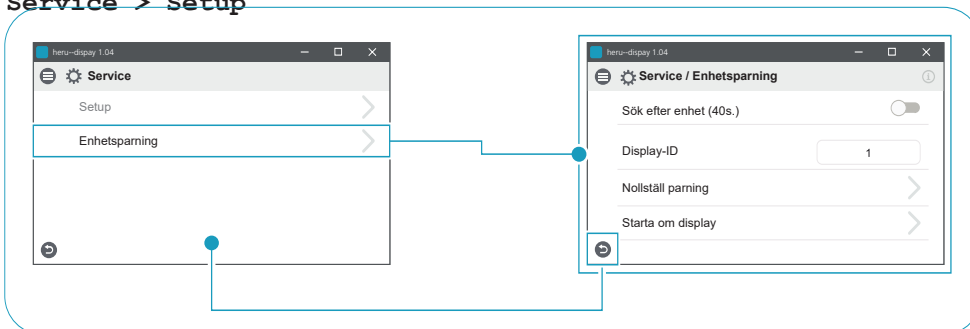
För ytterligare tekniska data se <https://www.ostberg.com>.



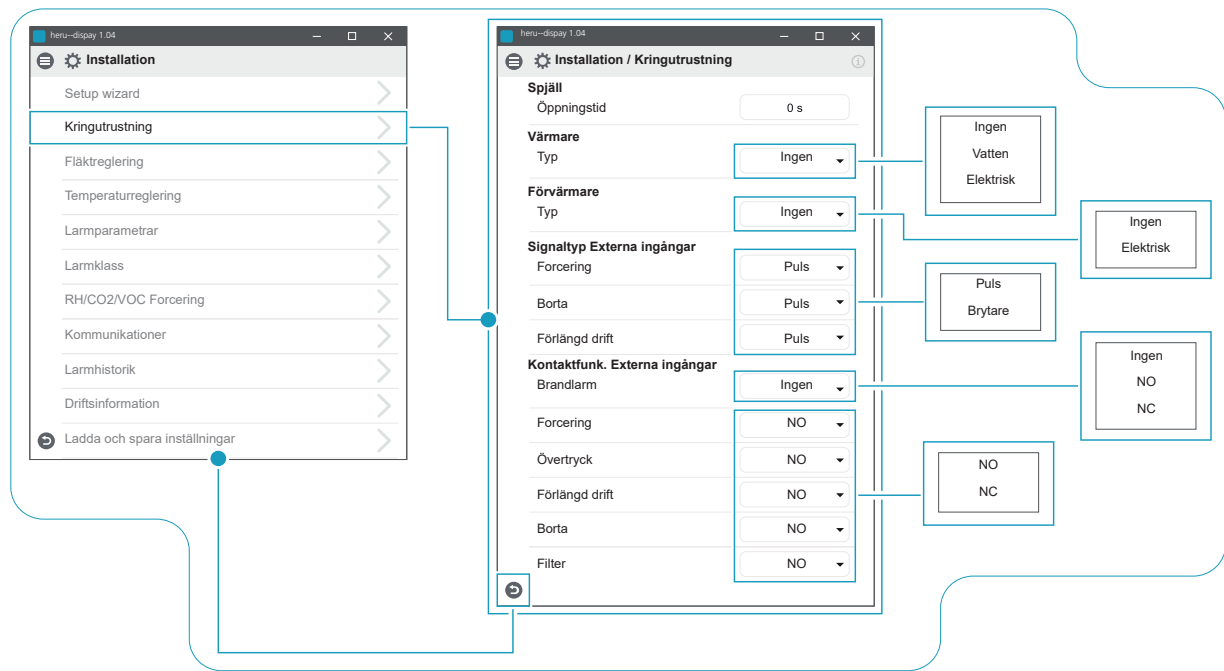
Service > Lösenord > Service



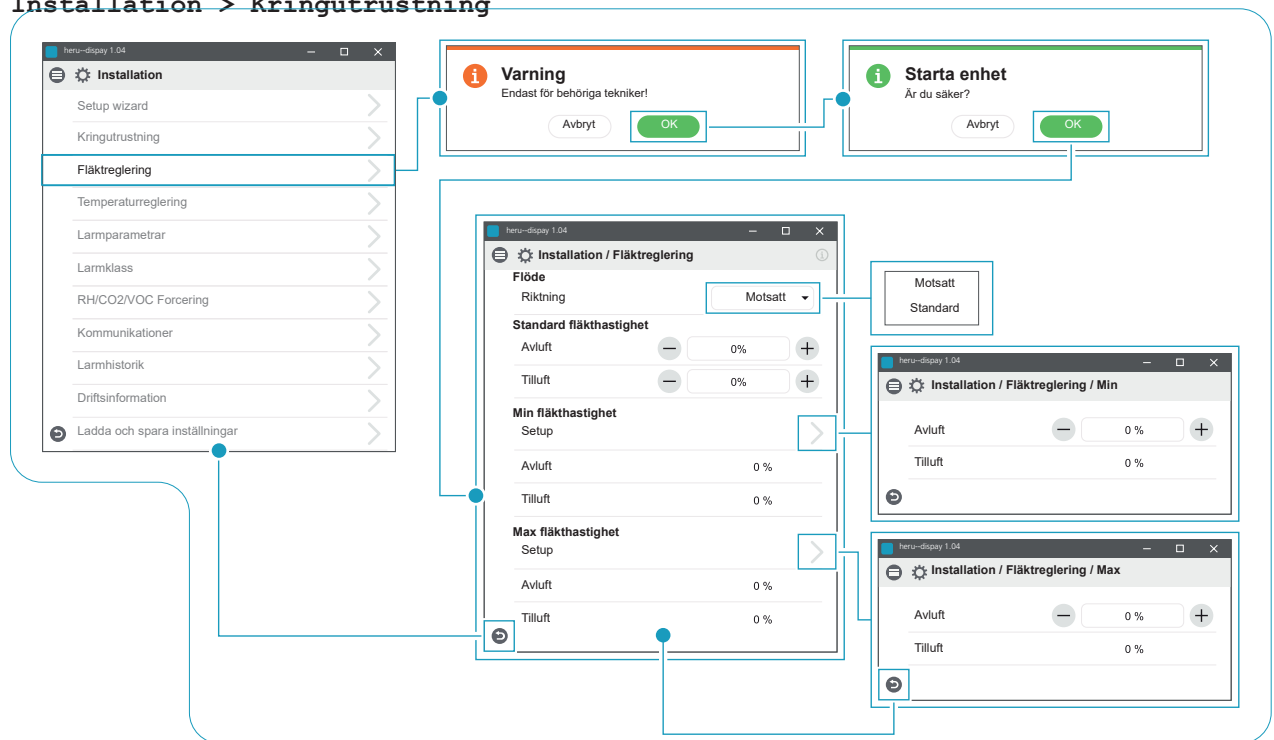
Service > Setup

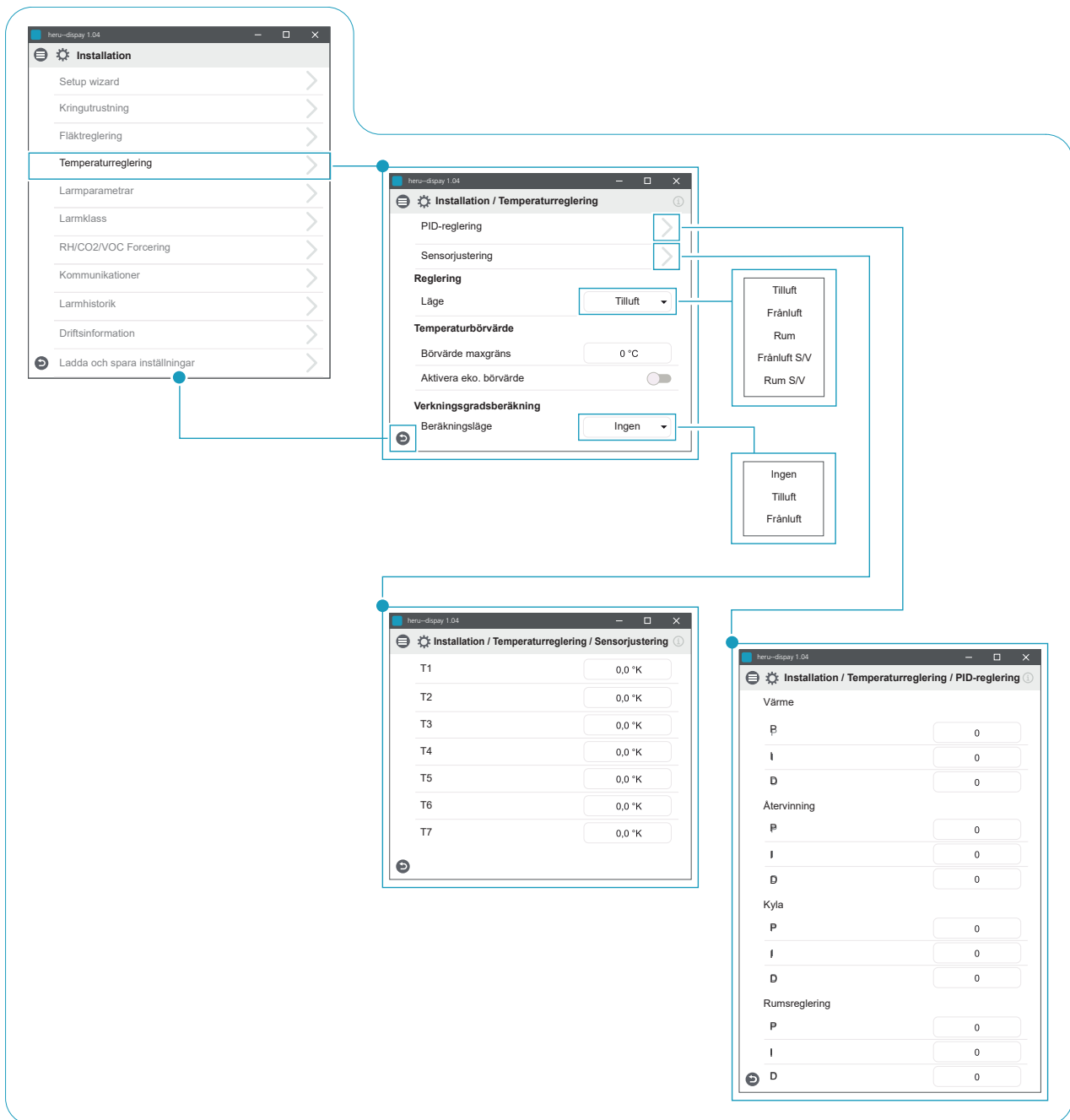


Service > Enhetsparning

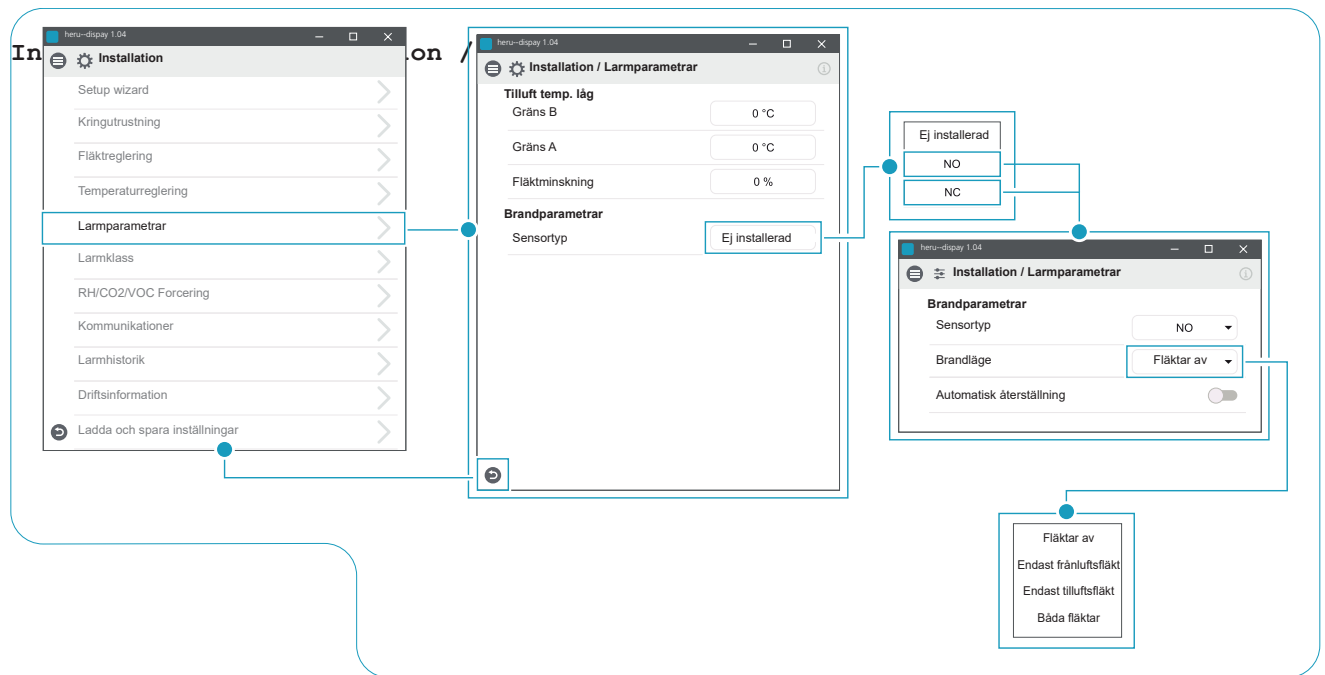


Installation > Kringutrustning

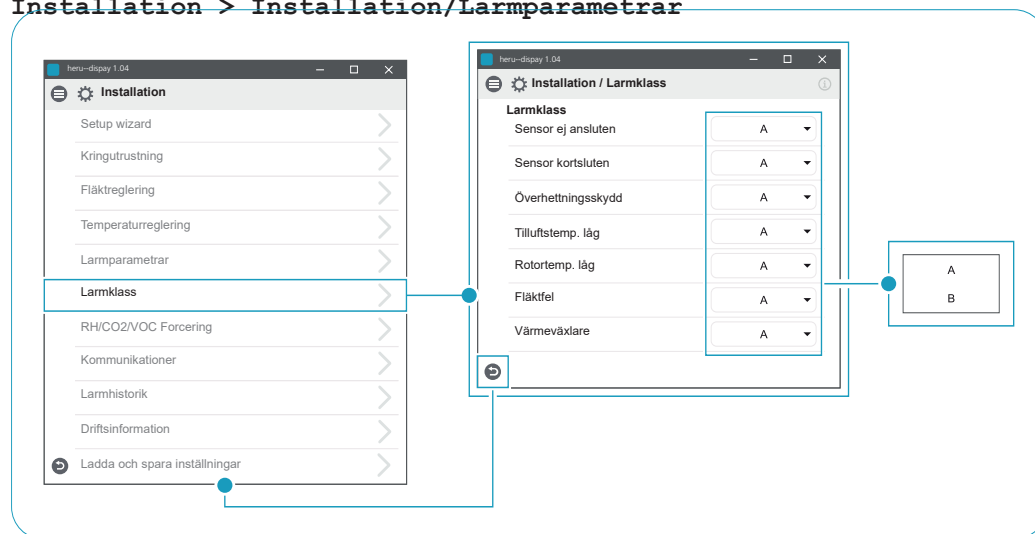




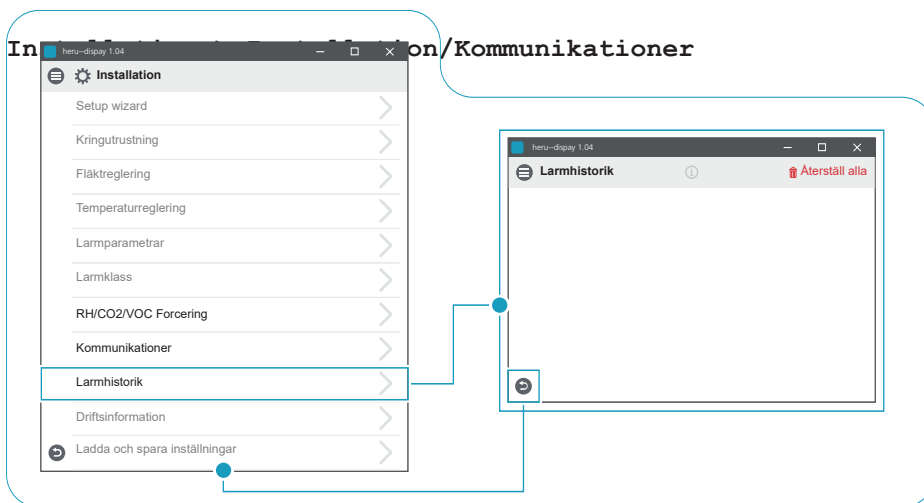
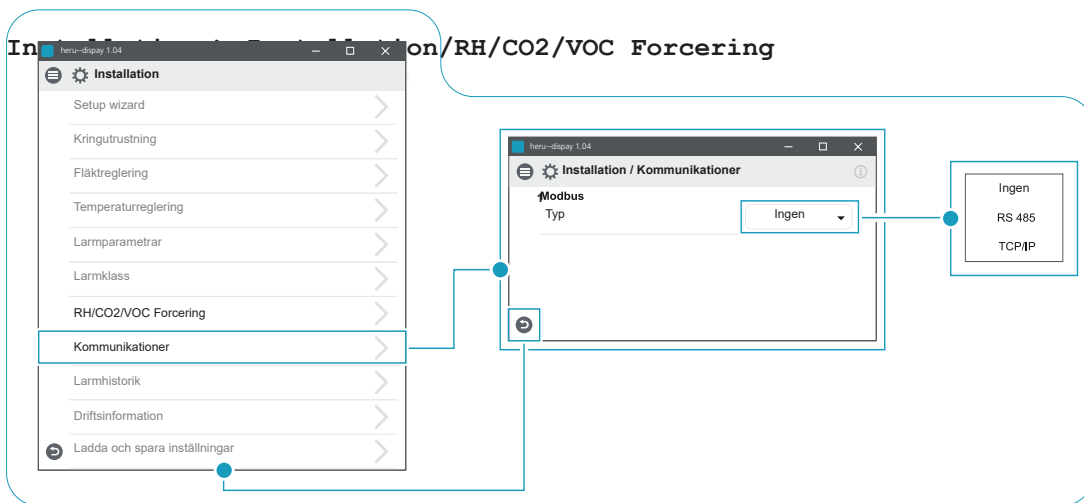
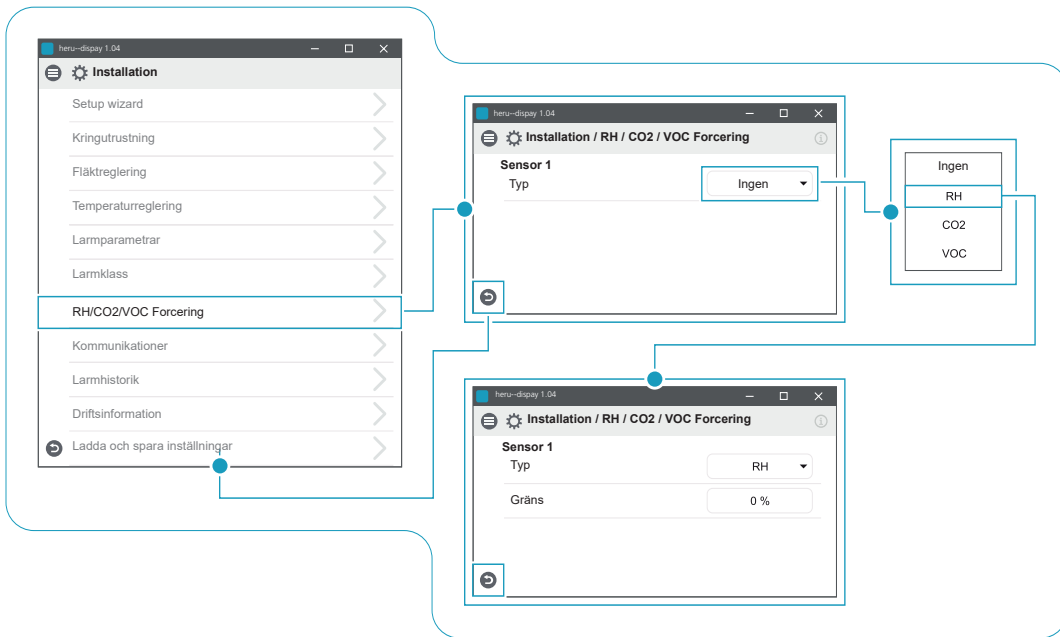
Installation > Installation / Fläktreglering

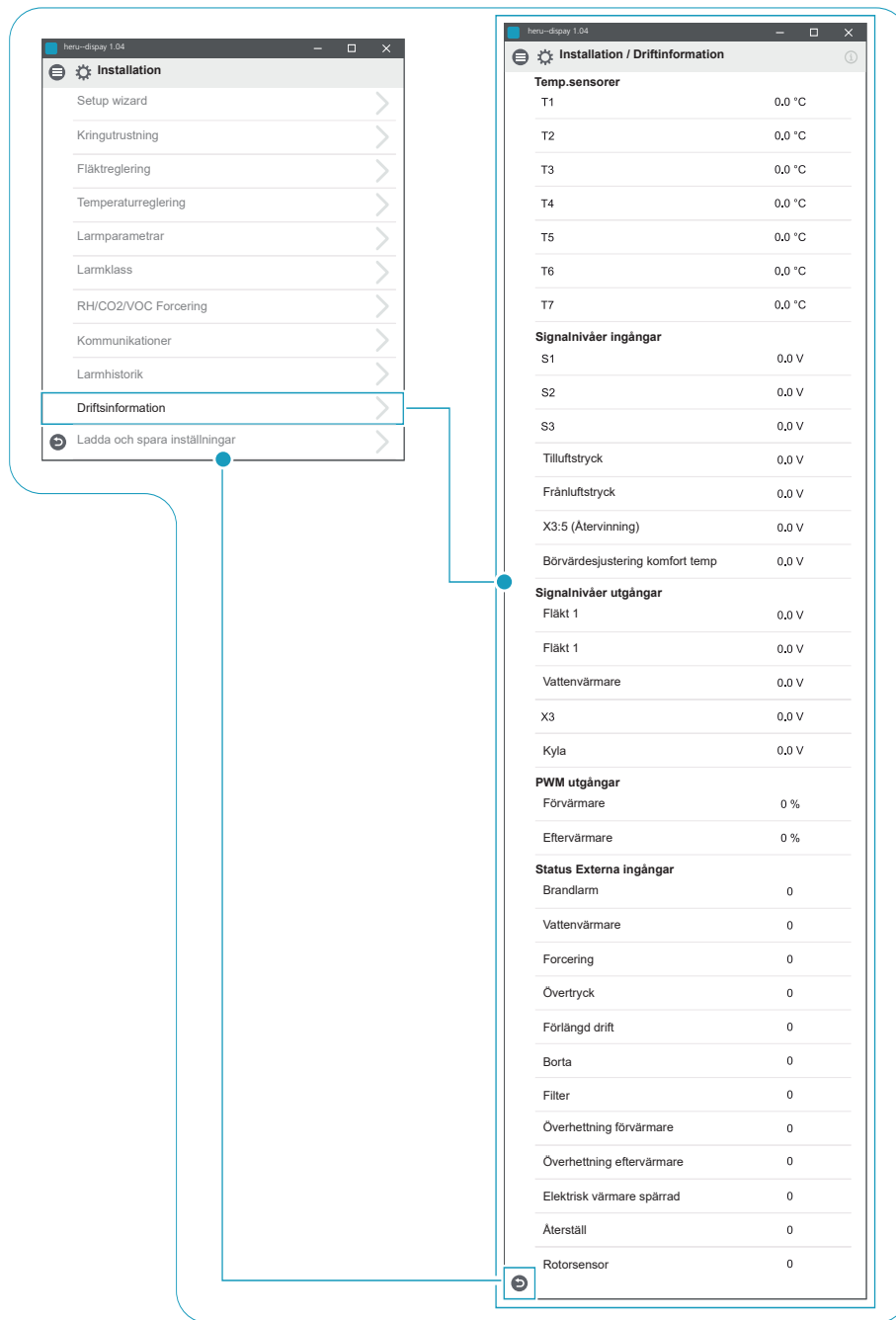


Installation > Installation/Larmparametrar



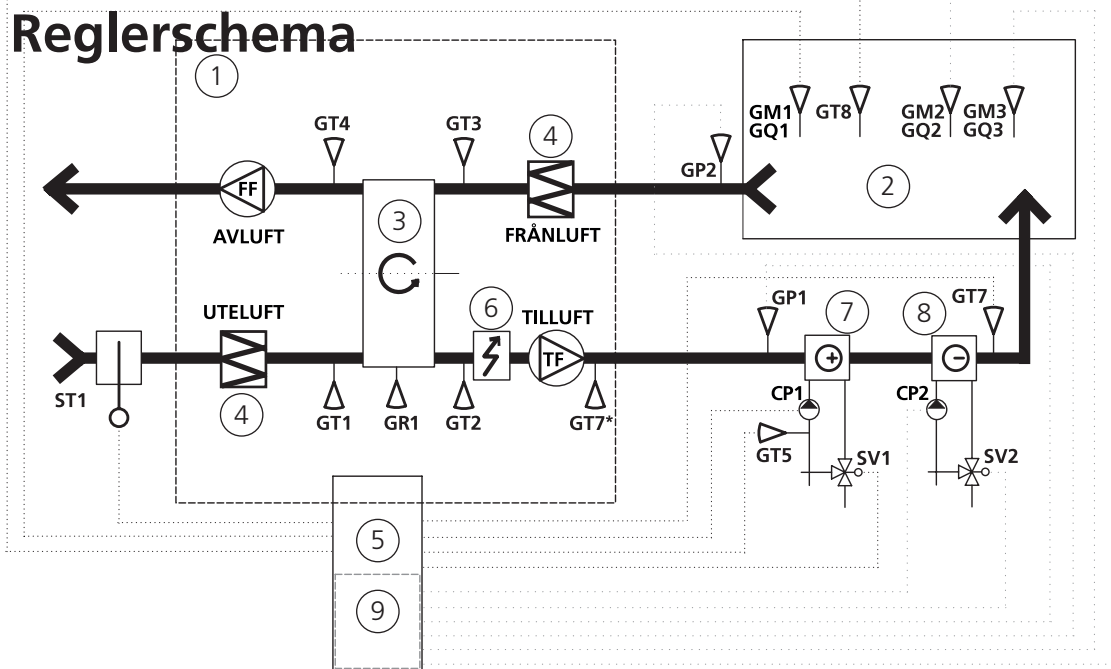
Installation > Installation/Larmklass





Installation > Installation/Larmhistorik

7



-
-
- ① HERU-aggregat
- ② Rum
- ③ Roterande värmväxlare
- ④ Filter
- ⑤ Reglercentral med reläkort
- ⑥ Elektrisk eftervärmare
- ⑦ Värmebatteri
- 8 Kylbatteri
- 9 Elektriskt expansionskort

Observera!

GT7* Temperaturgivarplacering för HERU T.

GT7 Temperaturgivarplacering för HERU S och när HERU T har ett monterat ett värme/kylbatteri efter aggregatet.

Pos.	PCB-etikett	Beskrivning
①	T1	Intern temperaturgivare
②	T2	Intern temperaturgivare
③	T3	Intern temperaturgivare
④	T4	Intern temperaturgivare
⑤	T5	Frysskyddsgivare
⑥	T6	Kanalgivare tilluft (GT7)
⑦	T7	Rumsgivare (GT8)
⑧	HMI	Display port RJ45 (svart)
⑨	I/O Bus	I/O Bus
⑩	BMS	RS 485 Modbus (slav)
⑪	X6	Fövärmare signalutgång
⑫	X5	Eftervärmare signalutgång
⑬	X3	Rotormotor signalutgång
⑭	X4	Värmebatteri signalutgång (Analog ut 0-10V / 24VAC 1,5VA)
⑮	X2	Fläkt 2 signalutgång
⑯	X1	Fläkt 1 signalutgång
⑰	Reset	Extern Reset
⑱	DI-2W	Rotorgivare (HALL)
⑲	X7	RH/CO2/VOC (Analog in 0-10V / 24VAC 1,3VA)
⑳	D1	Brandlarm (Digital in (potentialfri))
㉑	D2	Forcering (Digital in (potentialfri))
㉒	D3	Övertryck (Digital in (potentialfri))
㉓	D4	Förlängd drift (Digital in (potentialfri))
㉔	RF	SMA antenn utgång
㉕	D5	Bortaläge (Digital in (potentialfri))
㉖	D6	Filterlarm (Digital in (potentialfri))
㉗	D7	Förregling elektrisk eftervärmare (Digital in (potentialfri))
㉘	LAN	10/100 Mbit Ethernet RJ-45
㉙	Q5	Potentialfri utgång för pump – värme
㉚	Q4	Spjäll (Digital relä utgång (NO))
㉛	Q3	Triac (Digital relä utgång (NO))
㉜	Q2	Fläkt 2 ström (Digital relä utgång (NO))
㉝	Q1	Fläkt 1 ström (Digital relä utgång (NO))
㉞	F2/Q2	Glassäkring T2.5A 5x20 L250V fläkt 2
㉟	F1/Q1	Glassäkring T2.5A 5x20 L250V fläkt 1
㊱	L/N	Huvudström 230V
	L/N	Huvudström 230V
	L/N	Huvudström 230V
	PE	Huvudström 230V
㊲	Exp.	Expansionskort ström ut

Produsenten kan ikke holdes ansvarlig for skade på personer eller eiendom som er forårsaket av feil ved montering, oppstart og/eller feil bruk av enheten og/eller unnlatelse av å følge prosessene og instruksjonene som er angitt i brukerhåndboken "Drift og vedlikehold". Av sikkerhetsmessige årsaker er det viktig å følge instruksjonene i brukerhåndboken.

Garantien vil bli annullert umiddelbart i tilfelle skade som skyldes manglende overholdelse av instruksjonene. Installasjon og igangkjøring må utføres av autorisert personell i henhold til lokale forskrifter for at garantien skal gjelde.



FORSIKTIG!!

Igangkjøringsprotokollene må fylles ut for at garantien skal gjelde.
Tilgjengelig på slutten av manualen.

Snarveier:

- **Logg inn i Installasjonsmeny:** Skriv inn kode 1991.
- **Logg inn i Servicemenyen:** Skriv inn kode 1199.
- **Last ned den nyeste versjonen av programvaren:** [Firmware.](#)
- **Last ned den komplette Modbus-registeret:** [Modbus.](#)
- **Last ned appen:** [HERU IQ App](#)

FIRMWARE



MODBUS



APPLE

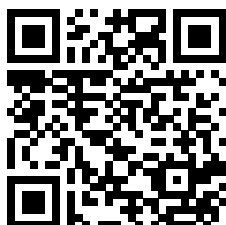


GOOGLE

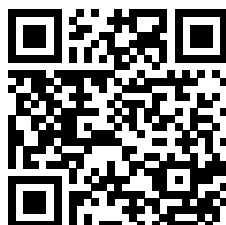


- Last ned koblingsskjemaer via produkt linkene nedenfor.
- Lenker til produktinformasjon på nettside www.ostberg.com

HERU S



HERU T



	Innhold
1 Sikkerhet.....	90
1.1 Advarsler.....	90
1.2 Generell sikkerhet	90
1.3 Produktetikett.....	91
Samsvarserklæring	92
2 Transport og oppbevaring	93
Generelt.....	93
Kontroll av leveransen	93
3 Installasjon	94
3.1 Systemoversikt	95
3.2 Forberedelse og plassering	96
3.3 Lading av den trådløse skjermen	98
3.4 HERU S.....	98
3.4.1 Demontering av enheten for å redusere vekten ved installasjon av HERU S	98
3.4.2 Installasjon HERU S.....	100
3.4.3 Flytting og omkobling av varmebatteri for motsatt luftretning	103
3.4.4 Montering av delene etter installasjon av HERU S.....	104
3.5 HERU T.....	105
3.5.1 Demontering av enheten for å redusere vekten ved installasjon av HERU T.....	105
3.5.2 Installasjon HERU T.....	107
3.5.3 Montering av delene etter installasjon av HERU T.....	111
3.6 Kobling av enheten til strømkilden	113
3.7 Koble Modbus til eksternt reguleringsutstyr	114
3.8 Avsluttende rutiner	115
4 Idriftsetting	116
4.1 Start av HERU enheten for første gang	116
4.2 Konfigurering av enheten	117
4.3 Tilpasning av enheten for luftstrøm i motsatt retning.....	118
4.4 Konfigurering av enheten til Modbus	118
5 Tekniske data.....	119
6 Velg Menyoversikt.....	121
7 Styreskjema	127
8 Tilkoplinger hovedkortet	138

1 Sikkerhet

1.1 Advarsler



ADVARSEL!

En advarsel betyr fare for personskader.



FORSIKTIG!

Forsiktig betyr fare for skade på utstyret.

1.2 Generell sikkerhet



ADVARSEL!

Alle elektriske installasjoner må utføres av en autorisert elektriker.



ADVARSEL!

Strømmen til enheten må kuttes i to minutter før arbeidet kan startes.



ADVARSEL!

Kontroller at strømledningen ikke blir skadet under montering og installasjon.



ADVARSEL!

Enheten skal ikke startes før installasjonen er helt ferdig og kanalene er koblet sammen.



ADVARSEL!

Sikkerhetsbryteren må ikke brukes til normal start og stopp av enheten.
Bruk den trådløse skjermen.



ADVARSEL!

Sikkerhetsbryteren må slås av når dekselet til koblingsboksen eller enhetens dører åpnes/ fjernes fra enheten.



ADVARSEL!

Enheten må alltid være utstyrt med en type A eller B, 30 mA jordfeilbryter (RCD).
Enheter uten støpsel må installeres med en sikkerhetsbryter, som må monteres i nærheten.



ADVARSEL!

Enheter med støpsel må sikres med en C10 A sikring.



ADVARSEL!

Enheter uten støpsel må sikres med en 2x10 A sikring sammen med 2,5 mm² ledere.



ADVARSEL!

Alle tiltak på enheten og dens periferiutstyr må utføres i samsvar med lokale lover og forskrifter.



ADVARSEL!

Se opp for skarpe kanter og hjørner på enheten.

**ADVARSEL!**

Vær oppmerksom på vekten av enhet og komponenter under montering og vedlikehold.

**ADVARSEL!**

Roterende, varme og strømførende komponenter kan forårsake alvorlig skade.

**ADVARSEL!**

Ledningskanalene må være tilkoblet og døren må lukkes før du starter enheten.
Fare for personskader fra roterende deler.

**FORSIKTIG!**

Vi anbefaler at du alltid installerer et spjeld med fjærretur i kanalene for friskluft og avtrekksluft.

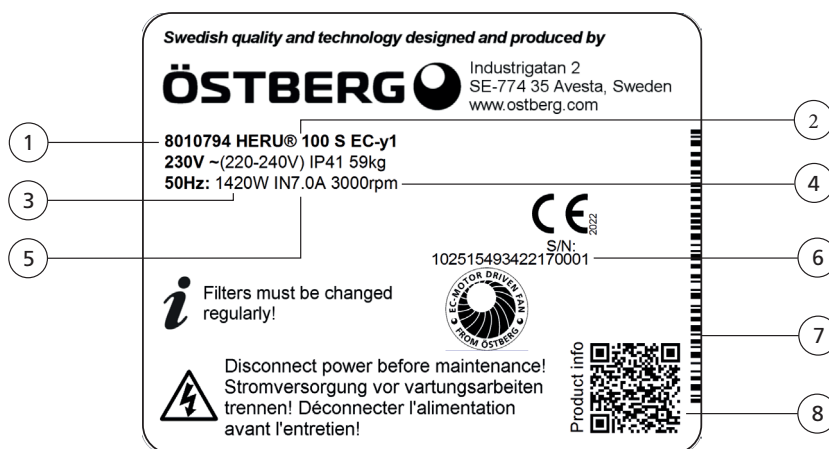
**FORSIKTIG!**

Ikke koble til en utluftningstørketrommel eller tørkeskap til systemet på grunn av den høye luftfuktigheten.

**FORSIKTIG!**

Hvis enheten blir installert når det er kaldt ute/om vinteren, og den ikke umiddelbart blir satt i drift, må kanalene plugges, ellers er det en risiko for kondens- og isdannelse i enheten.

1.3 Produktetikett



Eksempel på produktetikett

- ① Delenummer
- ② Produktnavn
- ③ Maksimal effekt inkludert varmer
- ④ Turtall ved maksimal effekt
- ⑤ Strøm ved maksimal effekt inkludert varmer
- ⑥ Serienummer
- ⑦ Serienummer som strekkode
- ⑧ QR-kode til produktside på nett



EU DECLARATION OF CONFORMITY

We hereby confirm that our products comply with the requirements in the following EU-directives and harmonised standards and regulations.

Manufacturer: H. ÖSTBERG AB
Industrigatan 2
SE-774 35 Avesta, Sweden
Tel No +46 226 860 00
Fax No +46 226 860 05
<http://www.ostberg.com>
info@ostberg.com
VAT No SE556301220101



Products: Bidirectional ventilation unit RVU: HERU® 95 T EC, HERU® 100 T EC, HERU® 160 T EC, HERU® 200 T EC, HERU® 300 T EC, HERU® 100 S EC, HERU® 160 S EC, HERU® 200 S EC, HERU® 300 S EC, HERU® 70 K EC, HERU® 50 LP EC, HERU® 90 LP EC, HERU® 180 S EC 2, HERU® 250 T EC, HERU® 130 S EC, HERU® 250 S EC
Bidirectional ventilation unit NRVU: HERU® 400 T EC, HERU® 600 T EC, HERU® 800 T EC, HERU®, 1200 T EC, HERU® 400 S EC, HERU® 600 S EC, HERU® 800 S EC, HERU® 1200 S EC, HERU® Select

This EU declaration is applicable for products including our accessories for mounting and installation only if the installation is made in accordance with the enclosed installation instructions and that the product has not been modified.

Radio Equipment Directive (RED) 2014/53/EU

Harmonised standards:

- EN 300 220-2:2018 V3.1.1
- EN 303 446-1:2019 (EN 55014-1:2017, A11, EN 55014-2:2015, EN IEC 61000-3-2:2019, EN 61000-3-3:2013, A1)
- EN 301 489-3:2019

Machinery Directive (MD) 2006/42/EC

Harmonised standards:

- EN ISO 12100:2010
- EN ISO 13857:2019
- EN 60204-1:2018
- EN 60335-1:2012, AC 1, A 13 R1, A 11, A 12, A 13, A 1, A 14, A2, A15
- EN 60335-2-40:2003, A13, A2, A12, A1, A11, C1, C2
- EN 60335-2-30:2010, A11, A1, A12

Ecodesign Directive 2009/125/EC

Harmonised regulation:

- 1253/2014 Ecodesign requirements for ventilation units
- 1254/2014 Energy labeling of residential ventilation units

Standards:

- RVU: SS-EN 13141-7:2021 or NRVU: SS-EN 13053:2019

RoHS Directive 2011/65/EU

Harmonised standards:

- EN IEC 63000:2018

Avesta 2022-04-25

Mikael Östberg
Product Manager

2 Transport og oppbevaring

2.1 Generelt

HERU enheten må oppbevares på et beskyttet og tørt sted før montering.

2.2 Kontroll av leveransen

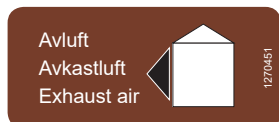
1. Inspiser enheten nøye ved levering for å se etter eventuelle skader som kan ha oppstått under transport. Informere straks produsenten i tilfelle alvorlig skade.

MERK! Produsenten kan ikke holdes ansvarlig for skade på enheten under transport, selv om produsenten har valgt transportøren.

2. Kontroller at leveransen inneholder alle bestilte deler.

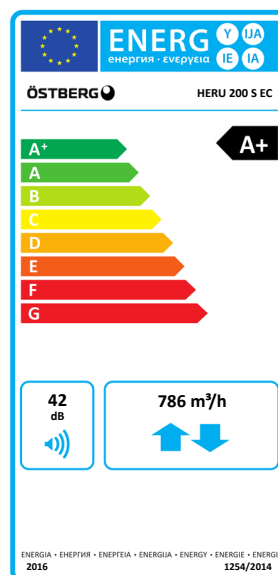
Følgende deler vil være med i HERU leveransen:

- Montert HERU enhet
- Etiketter:
 - Luftretningsetiketter



(kun HERU T 100/160)

- Energimerke (eksempel)



- Ledninger:
 - Antennekabel
 - GT7 kabel (kun for HERU S)
 - Ledningssett med støpsel (unntatt HERU S 200/300 og HERU T 200/300)
- 2 filtre
- Berørings skjerm/trådløs skjerm
- Veggkonsoll for enheten (kun for HERU T 100/160)
- Veggkonsoll for skjermen
- Lader
- Vibrasjonsdemper x2 (HERU T 100), x3 (HERU T 160)
- Bluetooth dongle
- Informasjonsark
- Bruksanvisning for installasjon
- Bruksanvisning for drift og vedlikehold

3. Kontakt forhandleren hvis noe mangler.

3 Installasjon



ADVARSEL!

Strømmen til enheten må avbrytes før du starter arbeidet.



ADVARSEL!

Sørg for at strømmen er slått av under hele monteringsprosessen.



ADVARSEL!

Enheten skal ikke startes før installasjonen er helt ferdig og kanalene er koblet sammen.



ADVARSEL!

Alle elektriske installasjoner må utføres av en autorisert elektriker.



ADVARSEL!

Sikkerhetsbryteren må slås av eller støpslet trekkes ut når dekslet til koblingsboksen eller enhetens dører åpnes/fjernes fra enheten.



ADVARSEL!

Alle tiltak på enheten og dens periferiutstyr må utføres i samsvar med lokale lover og forskrifter.



ADVARSEL!

Roterende, varme og strømførende komponenter kan forårsake alvorlig skade.



FORSIKTIG!

Ikke koble til en utluftningstørketrommel eller tørkeskap til systemet på grunn av den høye luftfuktigheten.



FORSIKTIG!

Hvis enheten blir installert når det er kaldt ute/om vinteren, og den ikke umiddelbart blir satt i drift, må kanalene plugges, ellers er det en risiko for kondens- og isdannelse i enheten.



FORSIKTIG!

Installasjon og igangkjøring må utføres av autorisert personell i henhold til lokale forskrifter for at garantien skal gjelde.



FORSIKTIG!!

Igangkjøringsprotokollene må fylles ut for at garantien skal gjelde.
Tilgjengelig på slutten av manualen.

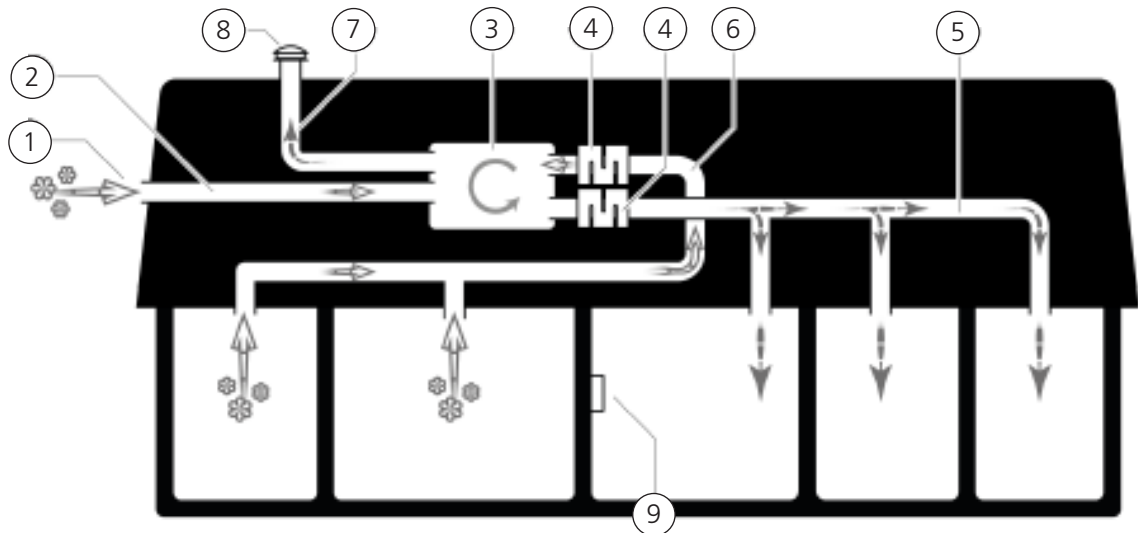
3.1 Systemoversikt



FORSIKTIG!!

Igangkjøringsprotokollene må fylles ut for at garantien skal gjelde.
Tilgjengelig på slutten av manualen.

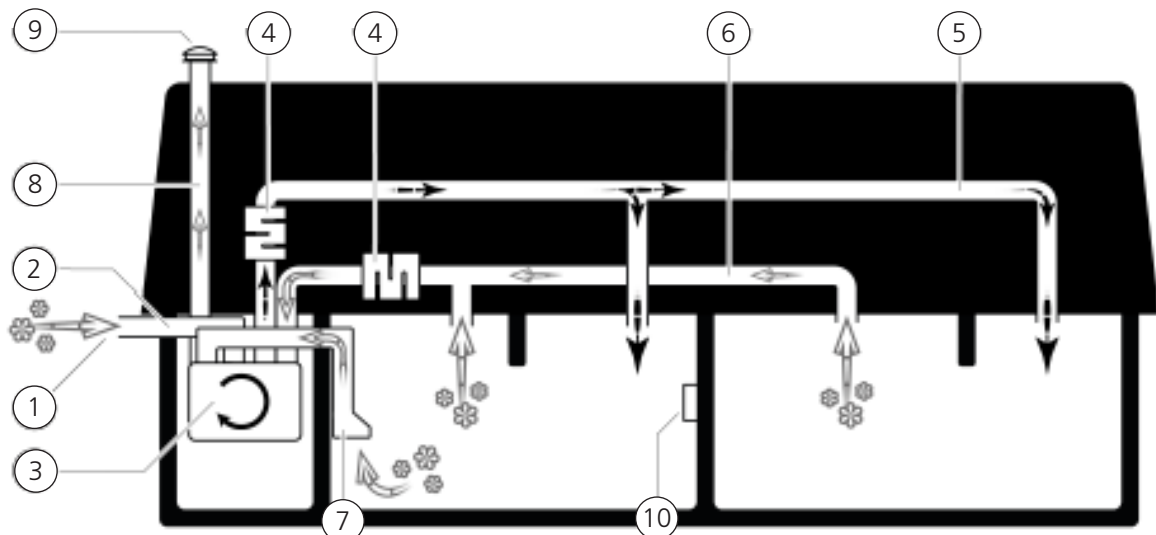
HERU S plasseres på et kaldt eller varmt sted, for eksempel på loftet.



1. Inntaksrist for frisk luft
2. Friskluftkanal
3. HERU S energigjenvinningsenhet
4. Lyddempere
5. Tilluftskanal

6. Avtrekksluftkanal
7. Avkastluftskanal
8. Takhatt for avkastluft
9. Trådløst IQC display

HERU T plasseres på varm plass, t.ex tvättstuga.



1. Inntaksrist for frisk luft
2. Friskluftkanal
3. HERU T energigjenvinningsenhet
4. Lyddempere
5. Tilluftskanal

6. Avtrekksluftkanal
7. Kjøkkenhette avtrekksluft
8. Avkastluftskanal
9. Takhatt for avkastluft
10. Trådløst IQC display

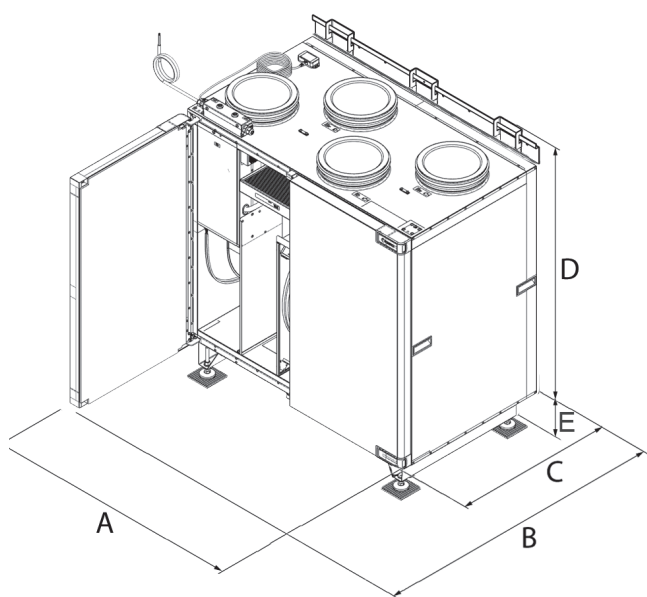
3.2 Forberedelse og plassering

Når du plasserer ventilasjonsaggregatet, sørg for at det er nok plass til å åpne dører og lokk, for å få tilgang til eller skifte ut filtre, vifter, rotor og koblinger. Vær spesielt oppmerksom på dimensjon (A) ved montering av HERU S på loft og under skråtak.

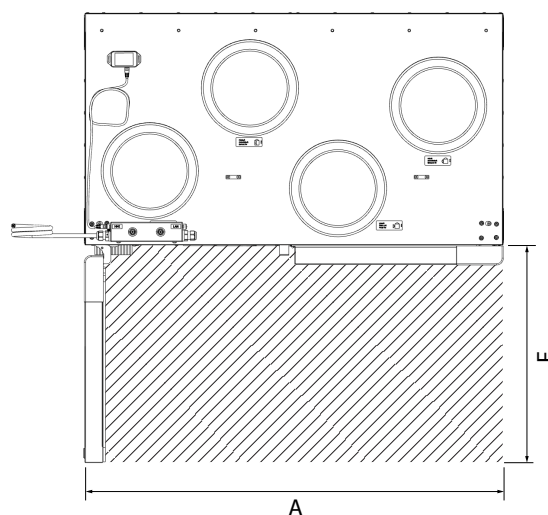
Dimensjon (A) og (F) - visning B for HERU T og visning E for HERU S, viser sonen som må være ledig for å kunne betjene enheten. Ved montering av HERU S, husk å montere enheten slik at koblingsboksen vender mot servicegangen eller slikt. Motsatt strømningsretning (venstre) kan velges for å oppnå bedre plassering av kanalforbindelsene - se avsnitt 3.4.3. For plassering av temperaturføler i tilluftskanal og plassering av antenne, se 3.4.2

Se bilder og måleinstruksjoner.

HERU T



Visning A – Målskisse.



Visning B – Serviceområde

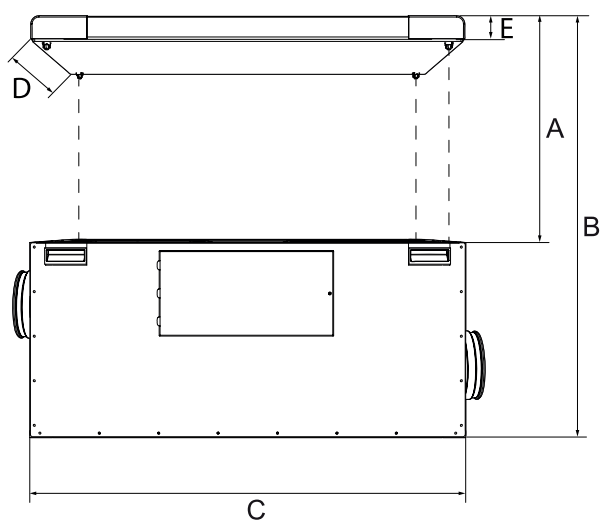
Monteringsavstand for HERU T

Modell	A	B	C	D	E
HERU 100 T EC RE/LE	796	990	492	759	–
HERU 160 T EC RE/LE	942	1130	559	919	–
HERU 200 T EC RE/LE	1124	1344	682	1135	100
HERU 300 T EC RE/LE	1124	1344	682	1135	100

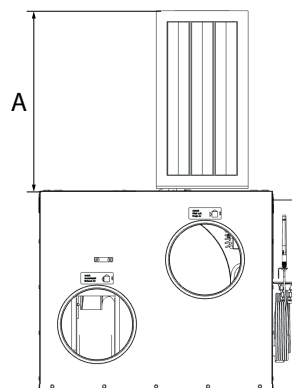


FORSIKTIG!!

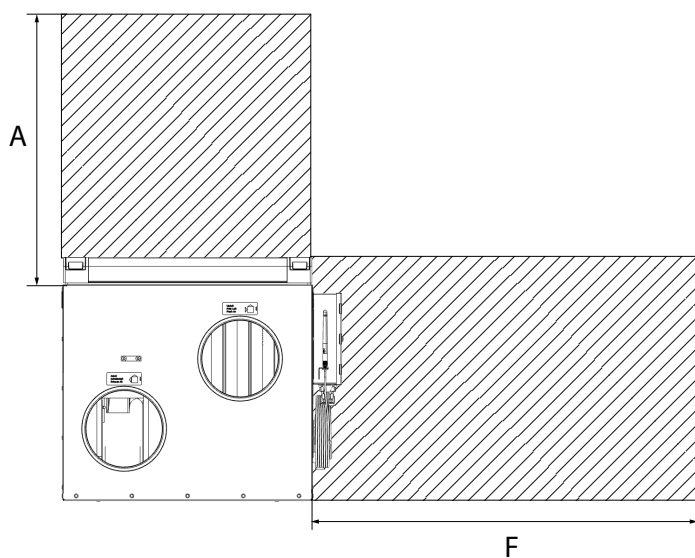
Igangkjøringsprotokollene må fylles ut for at garantien skal gjelde.
Tilgjengelig på slutten av manualen.



Visning C – Målskisse.



Visning D – Dimensjoner med innfelt filter.



Visning E – Serviceområde

Monteringsavstand for HERU S

Modell (mm)	A	B	C	D	E	F
HERU 100 S EC	415	850	969	507	51	1000
HERU 160 S EC	519	1038	1131	574	51	1000
HERU 200 S EC	728	1456	1250	680	51	1000
HERU 300 S EC	728	1456	1250	680	51	1000



FORSIKTIG!!

Igangkjøringsprotokollene må fylles ut for at garantien skal gjelde.
Tilgjengelig på slutten av manualen.

3.3 Lading av den trådløse skjermen

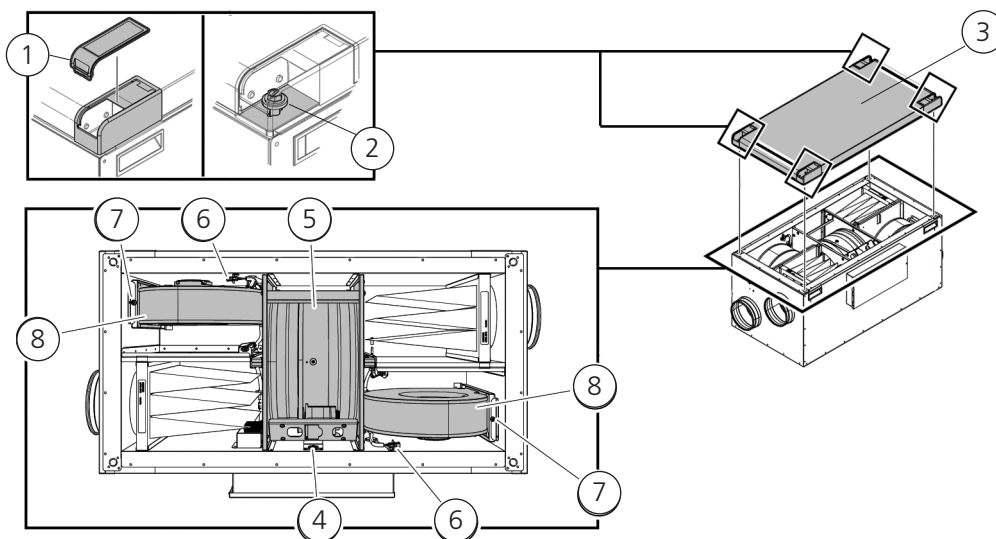
Forberedelser:

Ingen forberedelser er nødvendig.

1. Koble laderens mini-USB-kontakt til den trådløse skjermen.
2. Koble laderen til stikkkontakten.

3.4 HERU S

3.4.1 Demontering av enheten for å redusere vekten ved installasjon av HERU S.



Metode for demontering av enhet.

- ① Plastdeksel
- ② Skruer
- ③ Enhetens deksel
- ④ Hurtigkobling for rotorkassett
- ⑤ Rotorkassett
- ⑥ Hurtigkobling for vifte
- ⑦ Torxskruer T25
- ⑧ Vifte

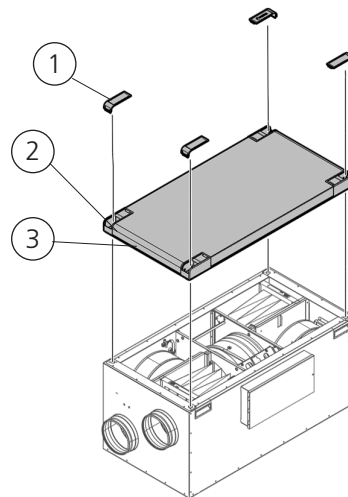
Forberedelser:

Verktøy

- Torx skrutrekker T25
 - Flat skrutrekker/13 mm holder
- Ingen andre forberedelser er nødvendig.

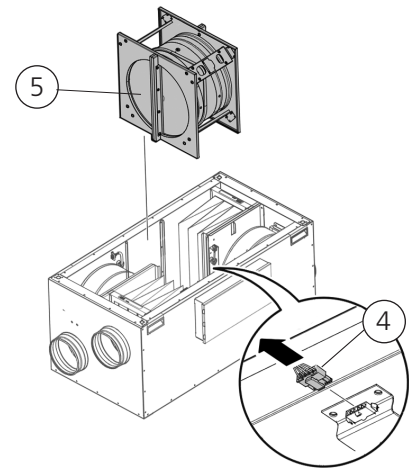
Fjern dekselet til enheten.

- ① Fjern plasthjørnedekselet .
- ② Skru ut skruene som holder enhetsdekselet.
- ③ Løft av dekselet.



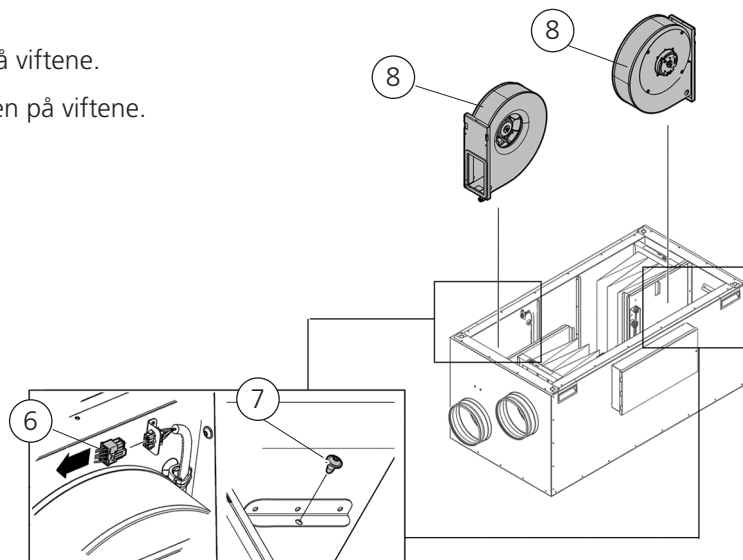
Fjern rotorkassetten.

- ④ Koble fra rotorkassetts hurtigkobling.
- ⑤ Ta ut rotorkassetten.



Ta ut flåktarna.

- ⑥ Løsne hurtigfestene på viftene.
- ⑦ Skru ut Torx T25-skruen på viftene.
- ⑧ Ta ut viftene.



3.4.2 Installasjon HERU S



FORSIKTIG!

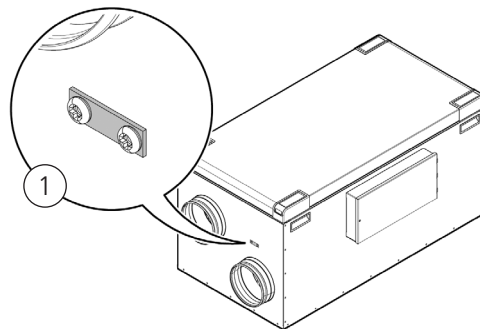
En avtrekkshette må ikke kobles til enheten på grunn av økt rengjøringsbehov.

Forberedelser:

- Plasser isolasjonsplaten på installasjonsflaten.
- Monteringsavstanden, se **3.2 Monteringsavstand**, må følges.
- HERU S kan monteres på et kaldt eller varmt sted.
- Lokale forskrifter for plassering, tilgang og elektriske tilkoblinger må følges når du installerer HERU S.
- Dimensjonerende luftstrøm bør ikke overstige 75 % av enhetens maksimale kapasitet.
- Ved montering på varme og fuktige steder, for eksempel et bad eller vaskerom, kan det oppstå kondens på utsiden av enheten ved lave utetemperaturer.
- Hvis enheten blir installert i kaldt vær og ikke umiddelbart blir satt i drift, må kanalene plugges på nytt, ellers er det en risiko for kondens.
- Vi anbefaler at du alltid installerer et spjeld med fjærretur i kanalene for friskluft og avkastluft.
- Hvis det er store forskjeller mellom omgivelsestemperatur og temperaturen i kanalene for tilluft og avtrekksluft, må disse isoleres for å hindre kondens.
- Frisklufts- og avkastluftskanalen må alltid isoleres mot kondens.
- Kanalene må isoleres hele veien frem til enheten.

Varmespiral og spjeld

Hvis varmebatteri er tilkoblet, må spjeld med fjærretur monteres på Friskluft og Avkastluftkanalene. Dette reduserer risikoen for frost og kondens når aggregatet ikke er i drift.



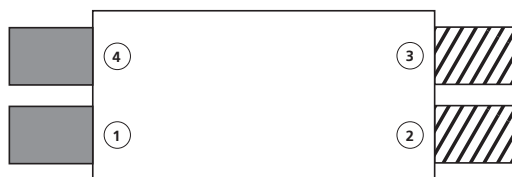
Jording av kanaler

Koble kanalene til et av de eksterne jordingspunktene (1) på aggregatet.

Kanalisolasjon

Alle kanaler skal være isolert i henhold til industristandarder. Bildene viser et minimum for å sikre full funksjon på enheten.

- | | | |
|--------------|----------------|------------------|
| 1 Frisk luft | 3 Avtrekksluft | Isolert |
| 2 Tilluft | 4 Avkastluft | Kondensisolasjon |



Plass med utetemperatur



Plass med innetemperatur (> 16 ° C)

Verktøy

- Ø9 mm bor
- Vater
- Torx skrutrekker T25

Material – HERU 100 S og 160 S

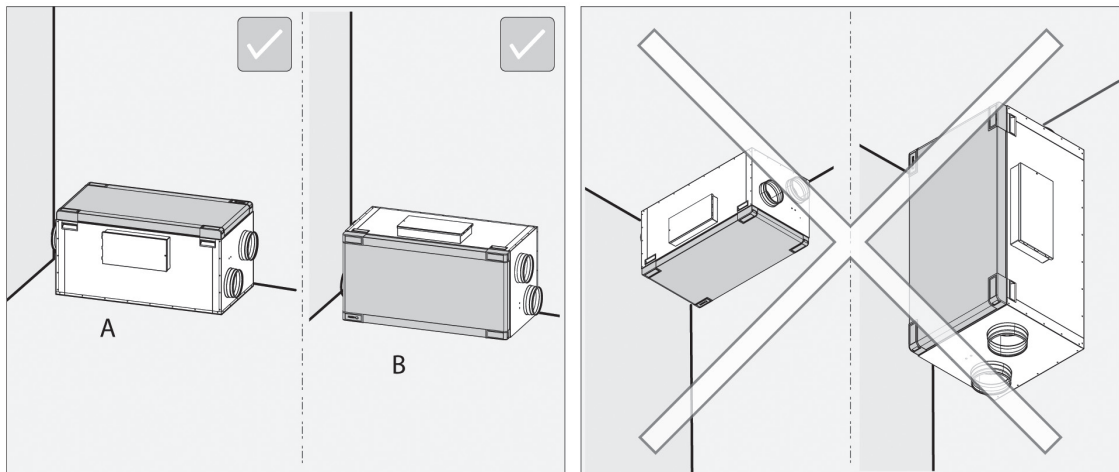
- Isolasjonsplate, minimum 50 mm.
- Kabelstrips
- Rørklips eller flens med utenpåliggende isolasjon

Material – gulvmontert HERU 200 S og 300 S

- Isolasjonsplate, minimum 50 mm. Ikke hvis gulvstativ brukes
- Kabelstrips
- Gulvstativ (tilgjengelig som tilbehør)
- Rørklips eller flens med utenpåliggende isolasjon

Plassering

Montering av HERU S med lokket oppover (A) eller til siden (B).



ADVARSEL!

Ikke monter enheten vertikalt eller med døren nedover på grunn av fare for personskader.

MERK!

Sørg for at det er plass til service og vedlikehold rundt enheten.
Se **3.2 Forberedelse og plassering**

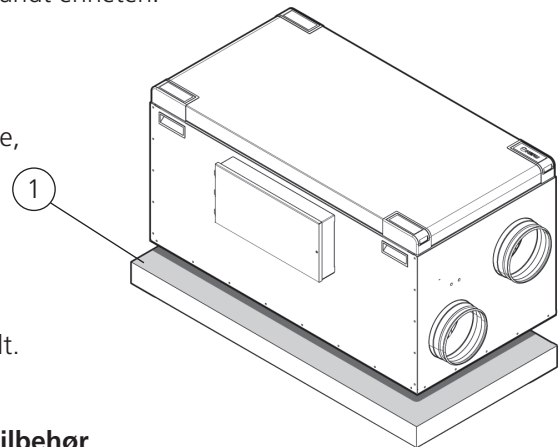
Gulvmontert HERU S

Plasser enheten på et støtbestandig isolasjonsplate, minimum 50 mm (1).

Kontroller at enheten er i vater både i x- og y-retningene. Bruk et vater.

MERK!

Fundamentet for enheten må være jevnt og stabilt.



Gulvmontert HERU 200 S og 300 S med gulvstativ som tilbehør

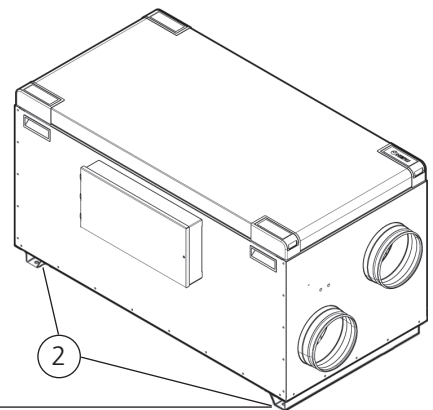
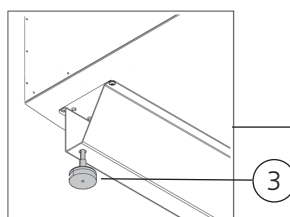
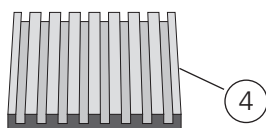
Monter føttene med tilhørende skruer (2).

Kontroller at enheten er i vater både i x- og y-retningene.
Bruk et vaterpass. Juster stillskruene (3) om nødvendig.

MERK!

Fundamentet for enheten må være jevnt og stabilt.

Den vibrasjonsdempende matten (Novibramatta) (4) tilbehør kan plasseres under føttene for å redusere vibrasjon mot gulvplaten.



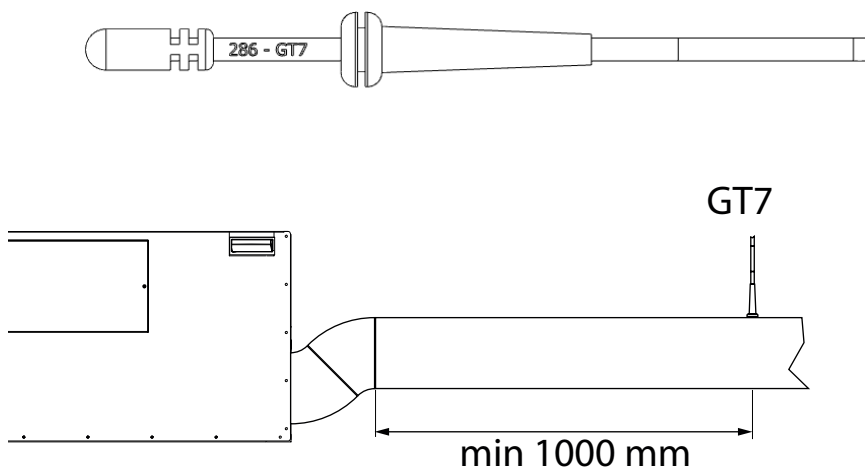
Koble kanalene til enheten.

Bruk et rørklips eller flens med utenpåliggende isolasjon.

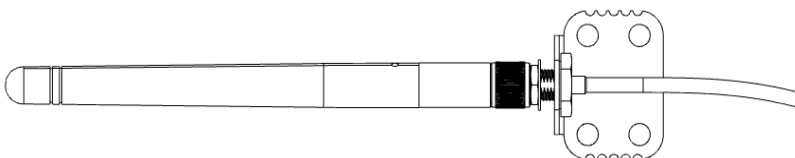
Monter kanalføleren GT7

Monter kanalføleren GT7 i tilluftskanalen. Se **8 Styreskjema**.

- Forberedelse av kanalen. Bor et Ø9 mm hull. bor det ca. 1000 mm etter enhet, kjøle- eller varmebatteri.
- Monter føleren i det borede hullet. Kanalføleren må sitte midt i kanalen.
- Fest kanalføleren. Monter et kabelstrips rundt kabelmuffen.

**Fest antennen**

Fest antennen på et egnet sted på siden av enheten. Fest antennen så sentralt som mulig for å få best mulig signal i bygningen. En skjøteledning kan om nødvendig fås som ekstrautstyr. Se web; **Skjøteledning – Antenne IQC**.

**FORSIKTIG!**

Antennen må ikke festes mot metalloverflater eller -gjenstander, da dette vil blokkere signalet.

**FORSIKTIG!**

Antennen må ikke ligge løs på eller ved siden av enheten..

3.4.3 Flytting og omkobling av varmebatteri for motsatt luftretning

MERK!

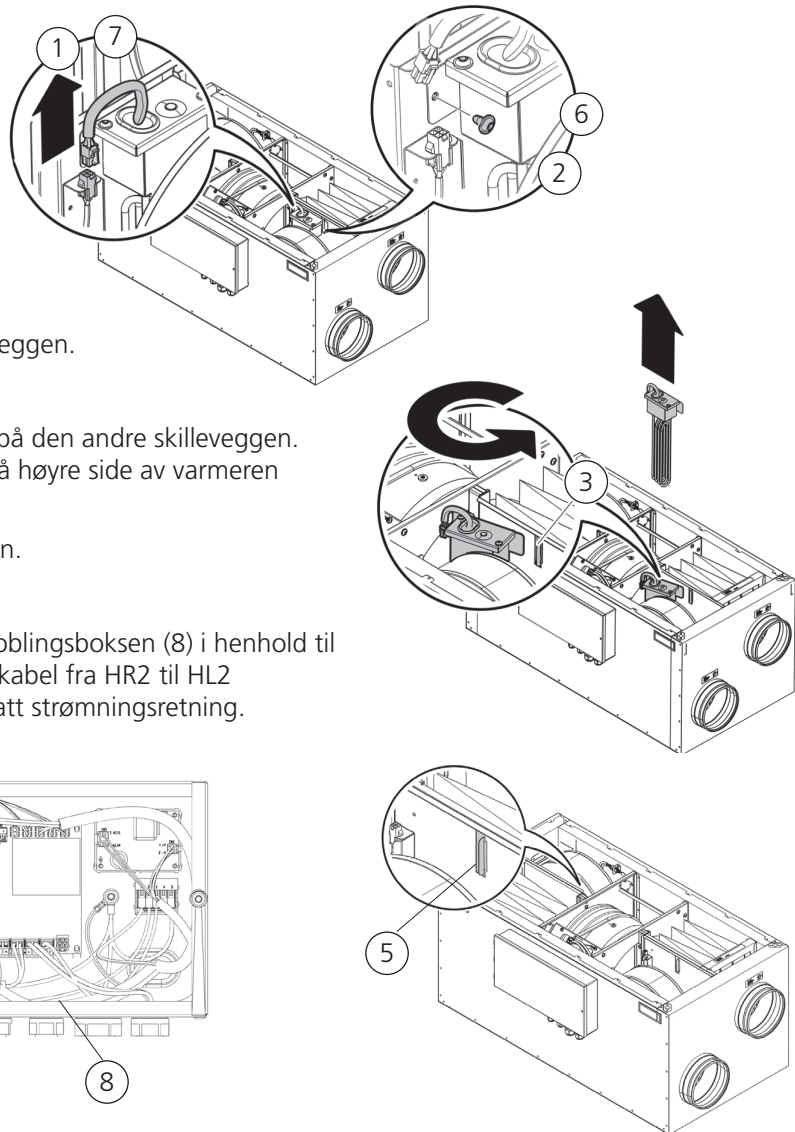
Enheten leveres med standard luftretning. Det elektriske varmebatteriet må flyttes om luftretning endres til motsatt.

Forberedelser:

Verktøy

• Torx T25 skrutrekker
Ingen andre forberedelser er nødvendig.

1. Koble fra hurtigkoblingen.
2. Skru ut skruen.
3. Fjern varmeren fra skilleveggen.
4. Løft ut varmeren.
5. Flytt den til motsatt side på den andre skilleveggen. Kontroller at braketten på høyre side av varmeren er plassert i konsollen.
6. Fest varmeren med skruen.
7. Koble hurtigkoblingen.
8. Flytt varmekabelen inn koblingsboksen (8) i henhold til koblingskjemaene. Bytt kabel fra HR2 til HL2 i kontakten (9), for motsatt strømningsretning.

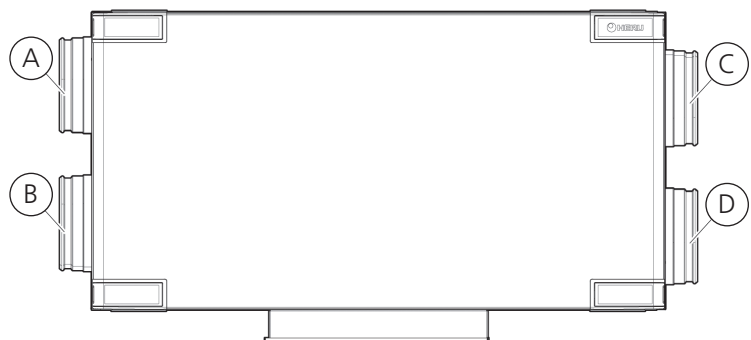


MERK!

Hvis du vil ha mer informasjon om hvordan du konfigurerer enheten for motsatt strømningsretning, se **5.3 Tilpasning av enheten for luftstrøm i motsatt retning**.

Kanaltilkoblinger ved motsatt strømningsretning.

- A Tilluft
- B Avtrekksluft
- C Frisk luft
- D Avkastluft



Bytt etikettene for strømningsretningen på HERU S-enheten til fire nye etiketter fra tilbehørboksen. Plasser dem i henhold til figuren, for motsatt strømningsretning.

3.4.4 Montering av delene etter installasjon av HERU S

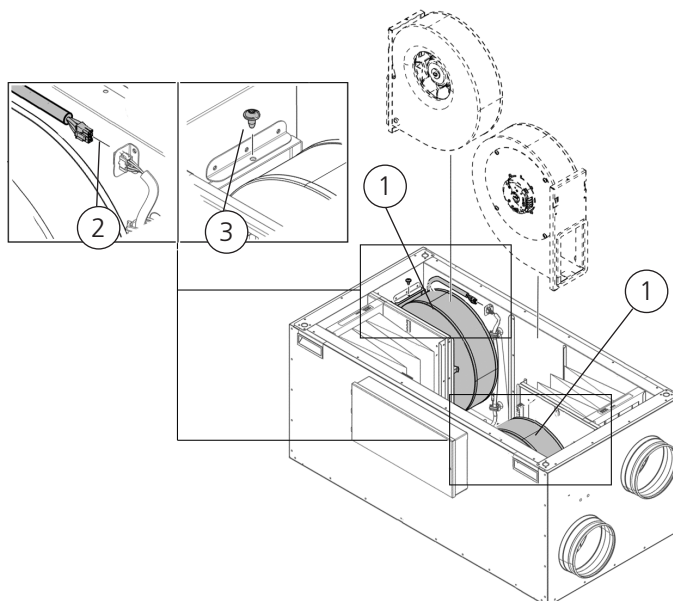
Forberedelser:

Verktøy

- Torx T25 skrutrekker
- Ingen andre forberedelser er nødvendig.

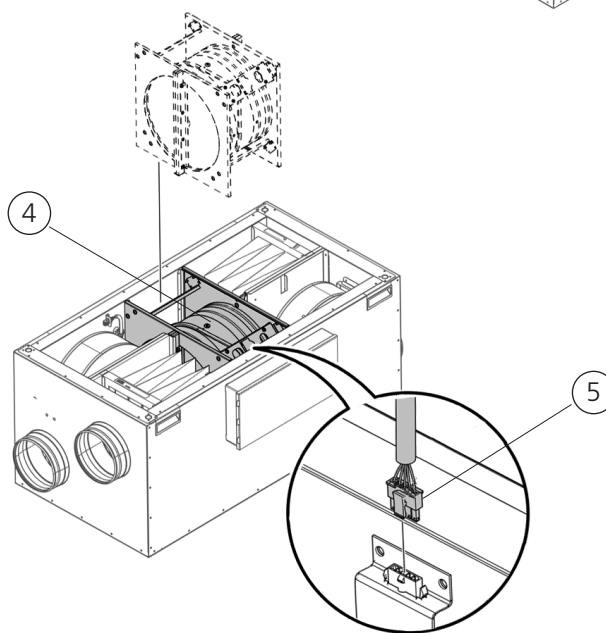
Sett inn viftene på nytt.

- ① Løft viftene ned.
- ② Fest viftene med Torx T25 skruer.
- ③ Koble viftenes hurtigfester.



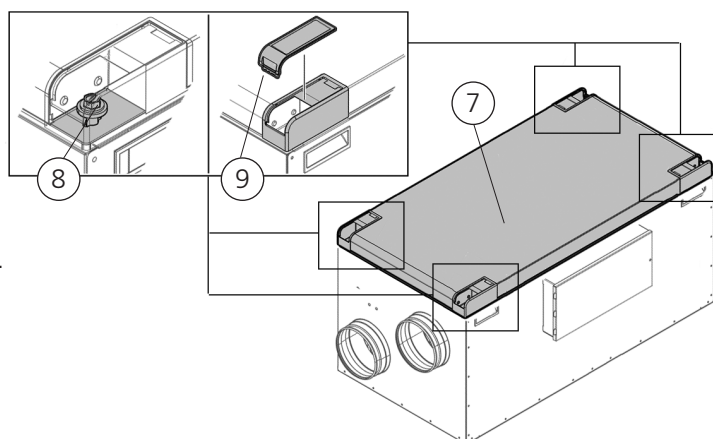
Sett inn rotorkassetten på nytt.

- ④ Løft rotorkassetten ned.
- ⑤ Koble rotorkassetts hurtigkobling.



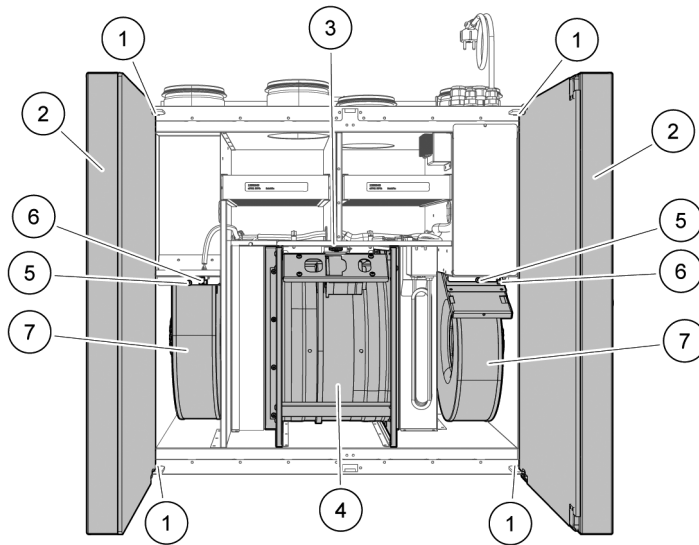
Sett på dekelet til enheten.

- ⑦ Plasser lokket på enheten.
- ⑧ Stram skruene med klokken.
- ⑨ Klikk på hjørnedekslet av plast.



3.5 HERU T

3.5.1 Demontering av enheten for å redusere vekten ved installasjon av HERU T



Metode for demontering av enhet.

- ① Øvre og nedre dørbolt
- ② Enhetens dører
- ③ Rotorkassettenes hurtigkobling
- ④ Rotorkassett
- ⑤ Torxskruer T25
- ⑥ Hurtigkobling
- ⑦ Vifter

Forberedelser:

Verktøy

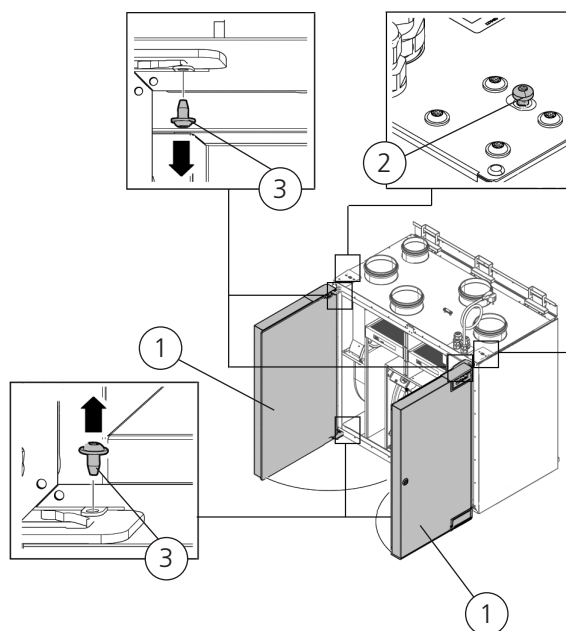
- Torx T25 skrutrekker
- Flat skrutrekker
- Sekskantnøkkel 4 mm med kuleende

Ingen andre forberedelser er nødvendig.

Demonter dørene på enheten.

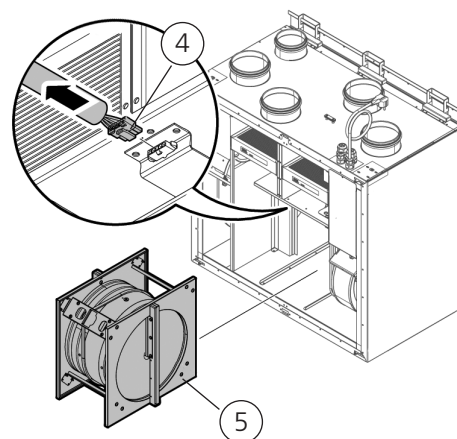
- ① Åpne dørene på enheten.
- ② Skru ut skruene.
- ③ Hold døren, og fjern de øvre og nedre skruer

Trekk døren utover for å løsne den fra enheten.



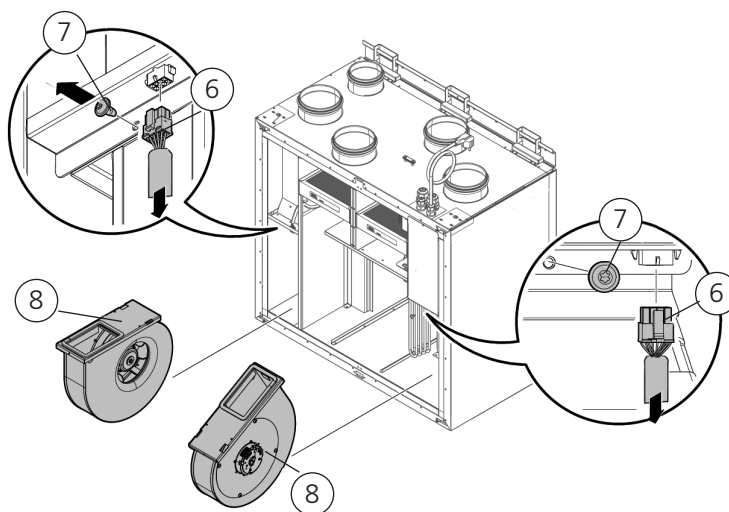
Ta ut rotorkassetten.

- ④ Løsne rotorkassetten hurtigkobling.
- ⑤ Trekk ut rotorkassetten.



Ta ut viftene.

- ⑥ Løsne viftenes hurtigkoblinger .
- ⑦ Skru ut Torx T25-skruen på viftene.
- ⑧ Trekk ut viftene.



3.5.2 Installasjon HERU T

Forberedelser

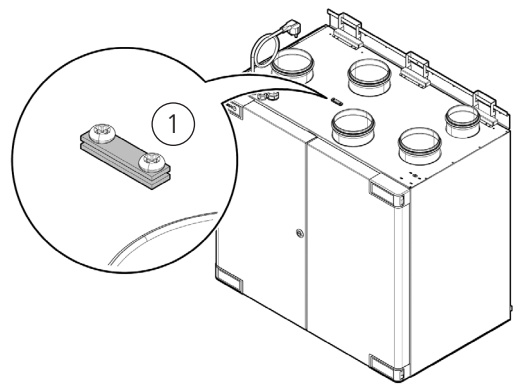
- Monteringsavstanden, se **3.2 Forberedelse og plassering**, må følges.
 - HERU T må monteres på et varmt sted.
 - Lokale forskrifter for plassering, tilgang og elektriske tilkoblinger må følges når du installerer HERU T.
 - Dimensjonerende luftstrøm bør ikke overstige 75 % av enhetens maksimale kapasitet.
 - Ved montering på varme og fuktige steder, for eksempel et bad eller vaskerom, kan det oppstå kondens på utsiden av enheten ved lave utetemperaturer. Hvis enheten blir installert i kaldt vær og ikke umiddelbart blir satt i drift, må kanalene plugges på nytt, ellers er det en risiko for kondens.
 - Hvis det er store forskjeller mellom omgivelsestemperatur og temperaturen i kanalene for tilluft og avtrekksluft, må disse isoleres for å hindre kondens.
 - Frisklufts- og avkastluftskanalen må alltid isoleres mot kondens.
 - Kanalene må isoleres hele veien frem til enheten.
- Ingen andre forberedelser er nødvendig.

Verktøy

- Ø9 mm bor
- Vater
- Torx skrutrekker T25

Varmespiral og spjeld

Hvis varmebatteri er tilkoblet, må spjeld med fjærretur monteres på Friskluft og Avkastluftkanalene. Dette reduserer risikoen for frost og kondens når aggregatet ikke er i drift.



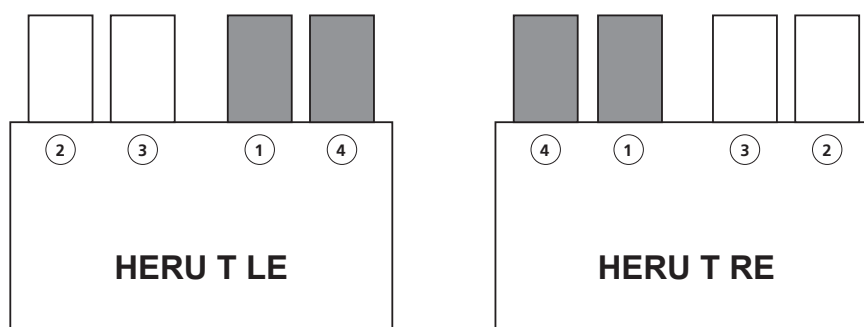
Jording av kanaler

Koble kanalene til et av de eksterne jordingspunktene (1) på aggregatet.

Kanalisolasjon

Alle kanaler skal være isolert i henhold til industristandarder. Bildene viser et minimum for å sikre full funksjon på enheten.

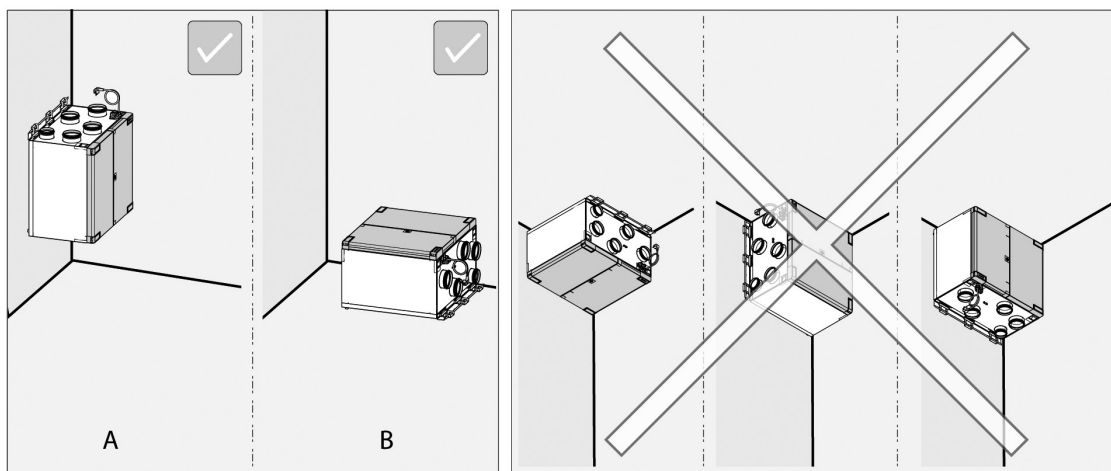
- | | | |
|--------------|----------------|----------------|
| 1 Frisk luft | 3 Avtrekksluft | Isolert |
| 2 Tilluft | 4 Avkastluft | Kondensisolert |



Materiale - veggmontert HERU 100T og 160 T	Materiale - gulvmontert HERU 160 T	Materiale - gulvmontert HERU 200 og 300 T
<ul style="list-style-type: none"> • Festmidler som er egnet for konstruksjon og tilstand til veggen. 	<ul style="list-style-type: none"> • Gulvstativ (tilgjengelig som tilbehør). 	<ul style="list-style-type: none"> • Rørklips eller flens med utenpåliggende isolasjon
<ul style="list-style-type: none"> • Rørklips eller flens med utenpåliggende isolasjon. 	<ul style="list-style-type: none"> • Rørklips eller flens med utenpåliggende isolasjon. 	

Veggmontert HERU 100 og 160 T

1. Monter HERU T med kanaltilkoblingene oppover (A) eller til siden med dørene oppover (B).

**ADVARSEL!**

Ikke installer enheten med kanaltilkoblingene eller dørene ned mot bakken på grunn av risikoen for skader.

**FORSIKTIG**

Enheden må monteres på en isolert vegg. Unngå vegger mot soverom.

MERK! Sørg for at det er plass til service og vedlikehold. Se **3.2 Forberedelse og plassering**.

- ① Fest selvklebende gummiputer i det bakre nedre hjørnet med en gummi pute i hvert nedre hjørne (HERU 100,160 T) og én i midten (HERU 160 T).

- ② Fjern skruene (3 skruer for HERU 100 T, 4 skruer for HERU 160 T) og fjern veggbraketten fra HERU-enheten.

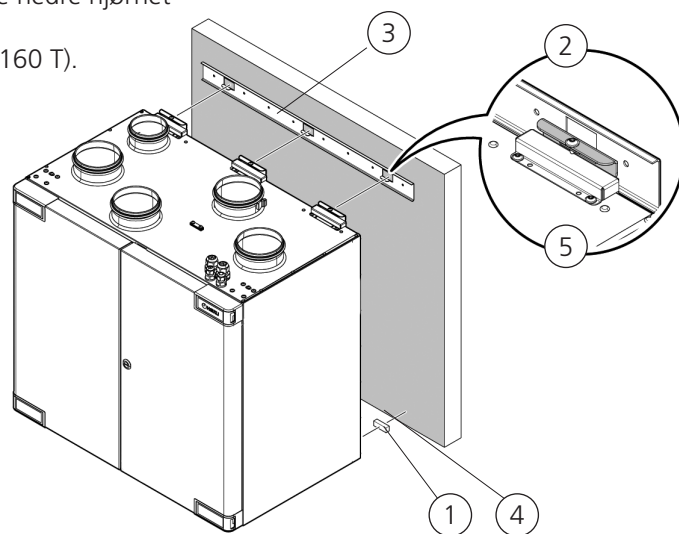
- ③ Fest vegg braketten horisontalt på den isolerte veggen med riktig antall og type festemidler. Skruetullet i veggbraketten må være plassert 27 mm over toppen av enheten.

2. Vinkle den nedre delen av enheten vekk fra veggen, heng enheten på braketten og la enhetens nedre del hvile mot veggen.

3. Juster enheten sidelengs for å oppnå riktig posisjon.

- ④ Sørg for at de selvklebende gummiputene har god kontakt med veggen.

- ⑤ Fest enheten på veggbraketten med de medfølgende skruene (3 skruer for HERU 100 T, 4 skruer for HERU 160 T).



Gulvmontert HERU 160 T med gulvstativ som tilbehør

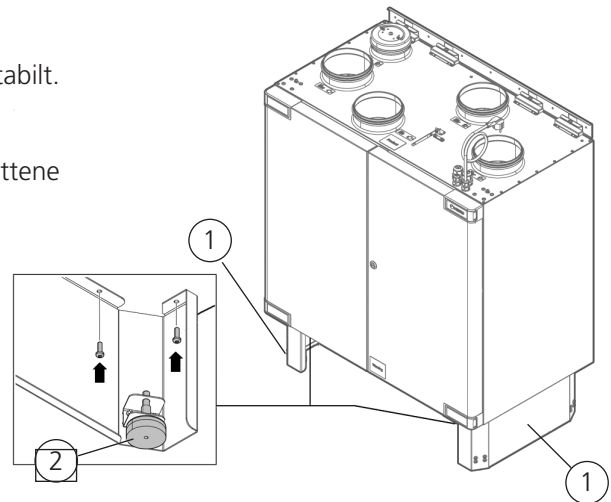
MERK!

Fundamentet for enheten må være jevnt og stabilt.

MERK!

Novibra tilbehørsmatte kan plasseres under føttene for å minimere vibrasjoner fra gulvbjelkene

- ① Monter gulvstativen med tilhørende skruer.
- ② Kontroller at enheten er i vater både i x- og y-retningene. Bruk et vaterpass. Juster stillskruene om nødvendig.



Gulvmontert HERU 200 og 300 T inkl. gulvstativ

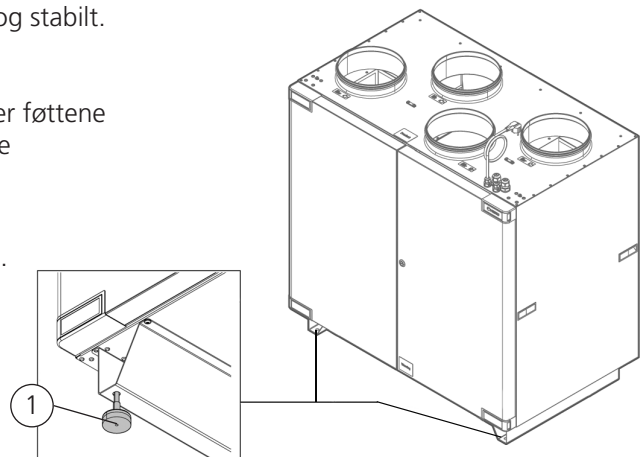
MERK!

Fundamentet for enheten må være jevnt og stabilt.

MERK!

Novibra tilbehørsmatte kan plasseres under føttene for å minimere vibrasjoner fra gulvbjelkene

- ① Kontroller at enheten er i vater både i x- og y-retningene. Bruk et vaterpass. Juster stillskruene om nødvendig.



Kjøkkenhette

HERU 100 og 160 T er utstyrt med tilkobling til kjøkkenhette som standard, der luften fra kjøkkenhetten ikke går gjennom et filter eller den roterende varmeveksleren. Når du aktiverer kjøkkenhetten, startes HERU-enhetens forhåndsdefinerte boost-modus, og det blir sugd ut fra kjøkkenhetten.

Kjøkkenhetten må:

- være utstyrt med spjeld. Kjøkkenhetten må IKKE ha en integrert vifte.
- være koblet til enheten via en to-leder, 0,75 mm² kabel.
- være utstyrt med en spenningsfri kontakt som slutter kretsen når kjøkkenhetten er aktivert.

Hvis en kjøkkenhette skal kobles til systemet, må det isolerte dekselet demonteres fra kjøkkenhettetilkoblingen, og en kanal fra kjøkkenhette monteres i stedet.



ADVARSEL!

Sørg for at installasjonen oppfyller lokale og nasjonale krav til brannsikkerhet.



FORSIKTIG!

Kjøkkenhette koblet til HERU T må IKKE ha en innebygd vifte.



FORSIKTIG!

Kjøkkenhette må IKKE kobles til HERU 200 og 300 T.

1. Monter kjøkkenhetten i henhold til produsentens anvisninger.
2. Trekk en 2-leder kabel fra kjøkkenhetten inn i HERU enheten gjennom en av de ledige kabelmuffene i toppen av enheten.
3. Koble kjøkkenhetten til systemet ved å demontere det isolerte dekselet på oversiden av enheten.
4. Monter en kanal fra kjøkkenhetten på enhetens kanalstuss, merket med kjøkkenhette.
5. Skru av mutteren på kabelmuffen og fjern en av muffens plugger.
6. Trekk gjennom en passende lengde kabel for å koble til kretskortet.
7. Trekk ut den avtakbare klemmen posisjon D2, og koble kabelen fra kjøkkenhetten til den.
8. Deretter trykker du tilbake klemmen i posisjon D2.

Ingen ytterligere tiltak er nødvendig

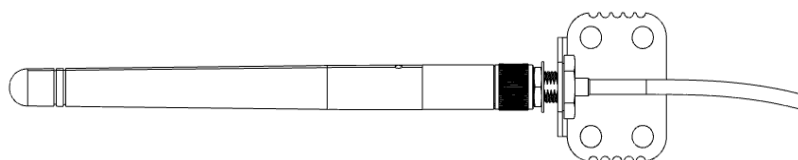
Koble kanalene til enheten.

Bruk et rørklips eller flens med utenpåliggende isolasjon.

Fest antennen

Fest antennen på et egnet sted på siden av enheten. Fest antennen så sentralt som mulig for å få best mulig signal i bygningen. En skjøteledning kan om nødvendig fås som ekstrautstyr.

Se web; **Skjøteledning – Antenne IQC.**



FORSIKTIG!

Antennen må ikke festes mot metalloverflater eller -gjenstander, da dette vil blokkere signalet.



FORSIKTIG!

Antennen må ikke ligge løs på eller ved siden av enheten..

3.5.3 Montering av delene etter installasjon av HERU T

Forberedelser:

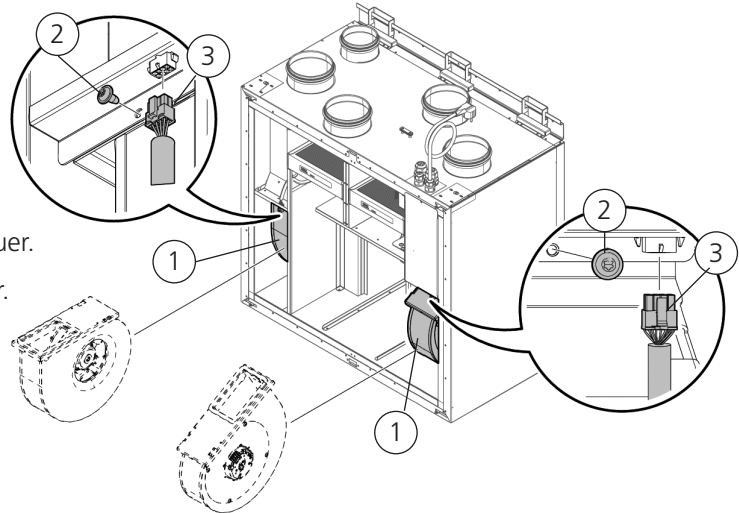
Ingen forberedelser er nødvendig.

Verktøy

- Torxskrutrekker T25
- Sekskantnøkkel 4 mm med kuleende

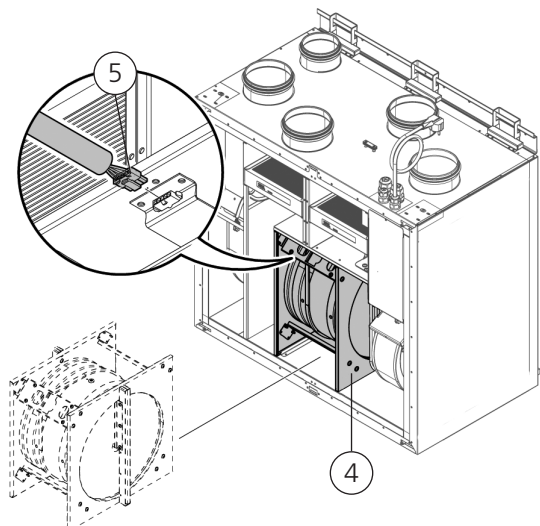
Sett inn viftene på nytt.

- 1 Sett inn viftene.
- 2 Fest viftene med Torx T25 skruer.
- 3 Koble viftenes hurtigkoblinger.



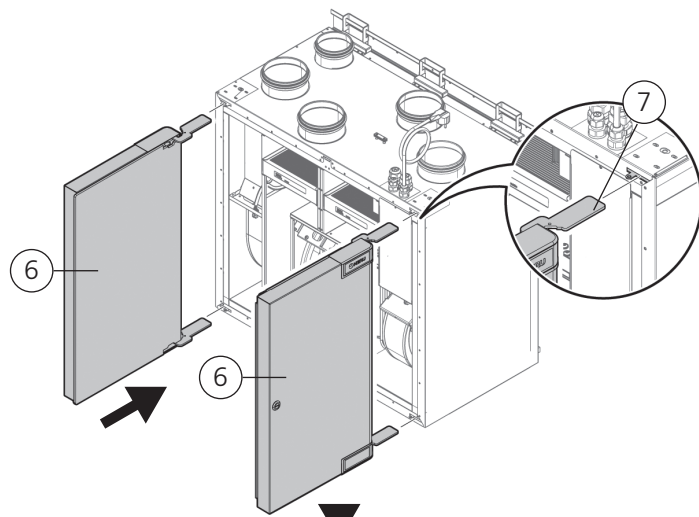
Sett inn rotorkassetten på nytt.

- 4 Skyv inn rotorkassetten i enheten.
- 5 Koble rotorkassetten hurtigkobling.



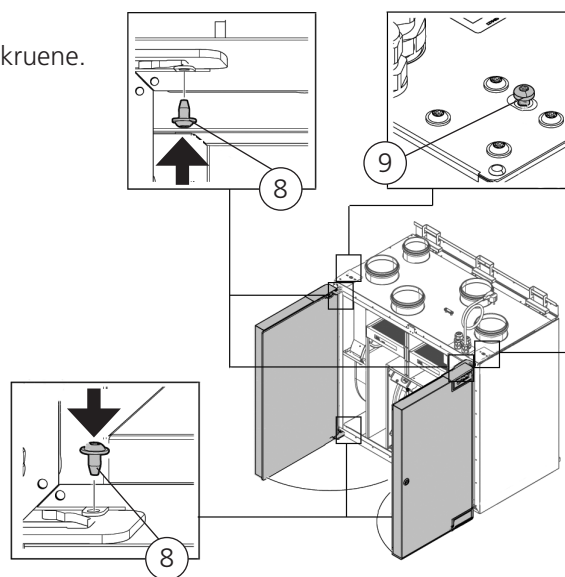
Sett inn dørene på nytt.

- 6 Fest dørene på enheten.
- 7 Trykk inn dørhengslene i enhetens hengselbrakett.



- 8 Hold dørene og trekk til de øvre og nedre skruene.
- 9 Skru deretter låseskruene i.

Lukk dørene til enheten.



3.6 Kobling av enheten til strømkilden

**ADVARSEL!**

Enheden må alltid være utstyrt med en type A eller B, 30 mA jordfeilbryter (RCD). Enheter uten støpsel må installeres med en sikkerhetsbryter, som må monteres i nærheten.

**ADVARSEL!**

Enheter med støpsel må sikres med en C 10 A sikring.

**ADVARSEL!**

Enheter uten støpsel må sikres med en 2x10 A sikring sammen med 2,5 mm² ledere.

**ADVARSEL!**

Alle elektriske installasjoner må utføres av en autorisert elektriker.

**ADVARSEL!**

Sikkerhetsbryteren må ikke brukes til normal start og stopp av enheten. Bruk den trådløse skjermen.

**ADVARSEL!**

Kontroller at strømledningen ikke blir skadet under montering og installasjon.

**ADVARSEL!**

Alle tiltak på enheten og dens periferiutstyr må utføres i samsvar med lokale lover og forskrifter.

**ADVARSEL!**

Sørg for at det ikke er noen løse deler inne i enheten, og at dørene er lukket og låst før du slår på strømmen.

Forberedelser:

Ingen forberedelser er nødvendig.

1. Hvis enheten har et støpsel, må en C10 A sikring brukes.
2. Hvis enheten ikke har et støpsel, må det brukes en 2x10A sikring sammen med 2,5 mm² ledere (varmer og energigjenvinningsenhet).
3. Monter en sikkerhetsbryter nær enheten.

MERK!

Sikkerhetsbryteren må ikke brukes til normal start og stopp av enheten. Bruk den trådløse skjermen.

3.7 Koble Modbus til eksternt reguleringsutstyr

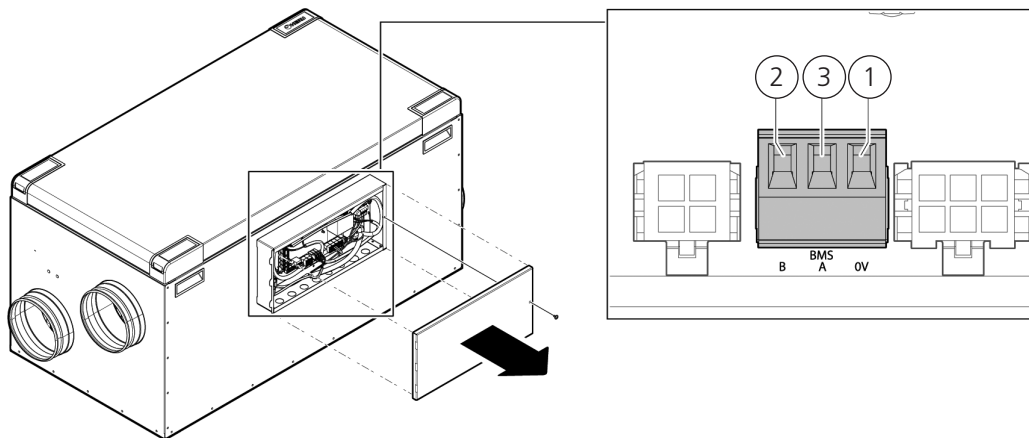
Forberedelser:

- Det eksterne reguleringsutstyret må ha støtte for dataprotokollen Modbus RTU, som brukes til RS485 for å kommunisere med enheten.

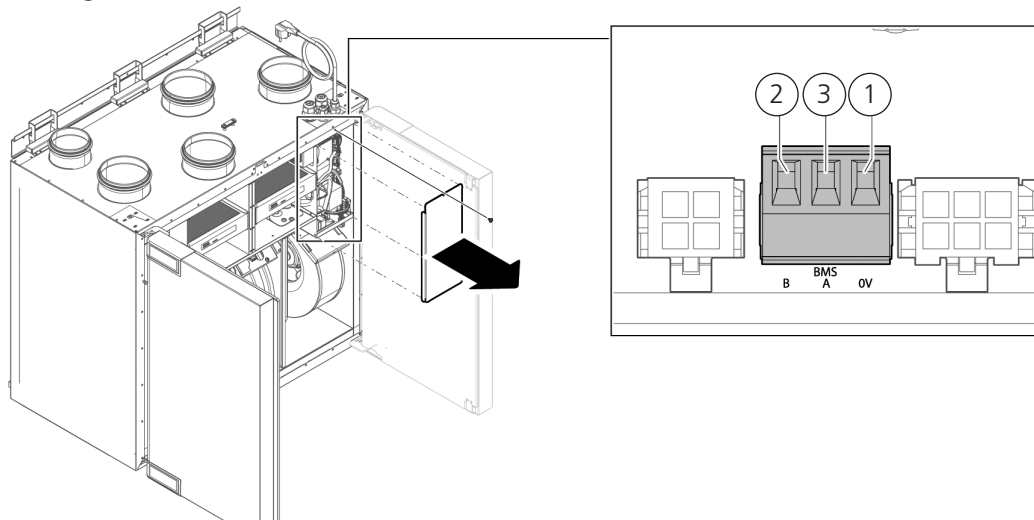
Verktøy

- Torxskrutrekker T25
- Flat skrutrekker (kun HERU T)

Kobling av Modbus til HERU S.



Kobling av Modbus til HERU T.



- 1 Koble GND til 0.



FORSIKTIG!

Hvis det ikke er koblet en leder til klemme 0, kan spenningen potensielt skade utstyret.

- 2 Koble Rx-/Tx- til B.
- 3 Koble Rx+/Tx+ til A.

MERK!

Hvis du vil ha mer informasjon om hvordan du konfigurerer enheten for motsatt strømningsretning, se **5.4 Konfigurering av enheten til Modbus**.

3.8 Avsluttende rutiner

Forberedelser:

Ingen forberedelser er nødvendig.

1. Sørg for at det ikke er noen løse deler inne i enheten, og at dekslet/dørene på enheten er lukket og låst.
2. Kontroller at produktet er i drift uten aktive alarmer.
3. Ta vare på alt verktøy.
4. Varsle relevante personer om at arbeidet er fullført.
5. Følg rutine for retur og kassering av erstattede deler og emballasjemateriale.
6. Fyll inn de aktuelle punktene i idriftsettelsesprotokollen, protokollen finnes på slutten av manualen.

4 Idriftsetting



ADVARSEL!

Enhetens kanaler må være tilkoblet, deksler/dører lukket og skruene strammet før enheten settes igang for å unngå fare for personskader fra roterende deler.



ADVARSEL!

Filtrene må installeres før enheten brukes.



FORSIKTIG!!

Igangkjøringsprotokollene må fylles ut for at garantien skal gjelde.
Tilgjengelig på slutten av manualen.

For informasjon om service menyen, se **6 Menyoversikt**.

Hvis du vil ha informasjon om aktiv visning på den trådløse skjermen, trykker du på **i**-knappen på statuslinjen i displayet.

4.1 Start av HERU enheten for første gang

Förberedelser:

Ingen forberedelser er nødvendig.

1. Slå på HERU enheten.
 - Hvis enheten har et støpsel, stikker du det i en stikkontakt.
 - Hvis enheten ikke har et støpsel, slår du på strømmen med sikkerhetsbryteren.

2. Vekk opp skjermen ved å koble den tilhørende ladekabelen til skjermen.
Koble ladekabelen via en 220 V adapter til en stikkontakt.

MERK!

Det eksterne displayet er paret ved levering. Hvis det ønskes en ekstra skjerm, må den pares.
Se drift og vedlikehold, **4.2 Paring av enheter**.

3. Displayet synkroniserer. Når dette er klart, trykker du på **HERU symbolet** i displayet.
4. Trykk på "**Start enhet**". Enheten starter for første gang med en startsekvens som tar omtrent 15 min.

MERK!

Enheten reagerer ikke på noen kommando før startsekvensen er fullført.

5. Når startsekvensen er fullført, fungerer enheten i henhold til de forhåndsinnstilte verdiene.
6. Kontroller at den nyeste versjonen av fastvaren er installert.
 - Angi **Innstillinger/ Om/Versjon** på den trådløse skjermen.
 - Sammenlign versjonen med den sist publiserte versjonen av fastvaren på <https://www.ostberg.com>.
 - Hvis det finnes en ny versjon av fastvaren, kan du se håndboken for drift og vedlikehold i kapittelet **4.15 Oppdatere programvare**.

4.2 Konfigurering av enheten

Forberedelser:

Forbered konfigurasjonen ved å ha verdier for følgende parametere for hånden:

- Type varmer
- **Etttervarmer**, velg **Elektrisk. Vann** er et mulig valg hvis en ekstern varmtvannsbatteri er montert.
- Ønsket reguleringsmetode
- Maksimumsgrense for temperaturreferanseverdi
- Temperaturgrenser for tilluft
- Holdetemperatur og grenser for frostvern
- For **Bryterfunksjon for inngang**: hvis normalt åpen (NO) eller normalt lukket (NC) for:
 - Brannalarm**
 - Pumpealarm**
 - Boost**
 - Overtrykk**
 - Forlenget drift**
 - Borte-modus**
 - Filter**
- Bryterens inngangssignaltyper for **Forsterking**, **Borte** og **Forlenget drift**.
- **Alarmklasse**: A eller B.
- **Advarselsalarmrelé**: på/av
- **Strømningsretning**
- **Standard viftehastighet** for **Tilluft** og **Avluft**
- **Min viftehastighet** for **Tilluft** og **Avluft**
- **Maks viftehastighet** for **Tilluft** og **Avluft**
- **Filterkontroll**: **Tidsur**

1. Åpne hovedmeny, velg **Service**.
2. Logg inn. Skriv inn kode 1991.
3. Velg **Wizard**.
4. Klikk **OK** i dialogboksen som vises.
5. Følg veiledningen for å angi alle innstillingene.
6. Klikk på knappen **Bekreft**.
7. Gå tilbake til hovedmeny. Klikk på pilen i nedre venstre hjørne eller på hovedmeny-knappen i øvre, venstre hjørne.

8. Gå tilbake til startskjermen. Klikk på **x** i øvre venstre hjørne.

4.3 Tilpasning av enheten for luftstrøm i motsatt retning

Forberedelser:

- HERU S kun: Den elektriske varmeren må monteres for luftstrøm i motsatt retning. Ingen andre forberedelser er nødvendig.

1. Åpne hovedmeny, velg **Service**.
2. Logg inn. Skriv inn kode 1991.
3. Velg **Viffteregulering**.
4. Klikk **OK** i dialogboksen som vises.
5. I alternativet **Strøm** velg **Motsatt**.
6. Gå tilbake til hovedmeny. Klikk på pilen i nedre venstre hjørne eller på hovedmeny-knappen i øvre, venstre hjørne.
7. Gå tilbake til startskjermen. Klikk på **x** i øvre venstre hjørne.

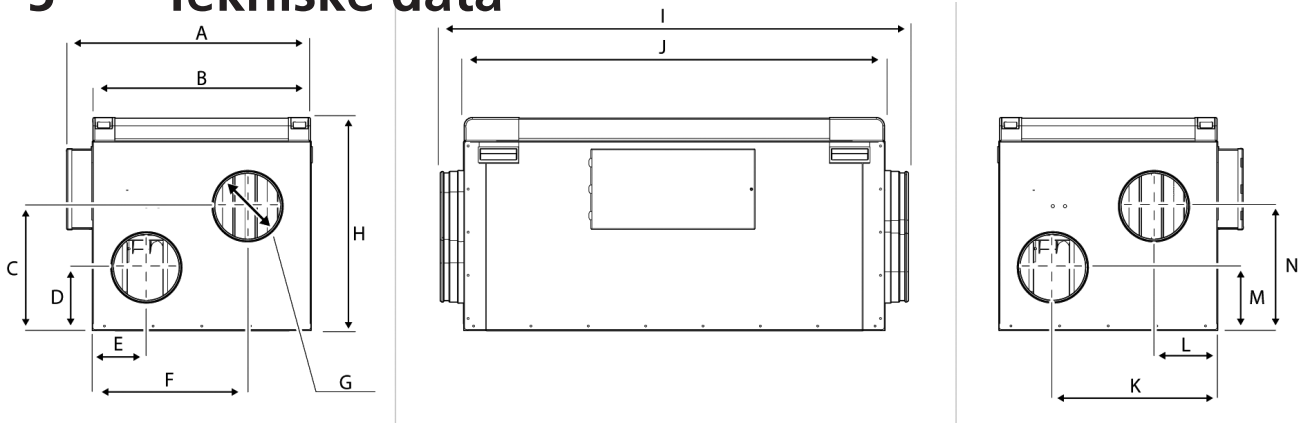
4.4 Konfigurering av enheten til Modbus

Forberedelser:

- ID og overføringshastighet må samsvare med kundens innstillinger. Ingen andre forberedelser er nødvendig.

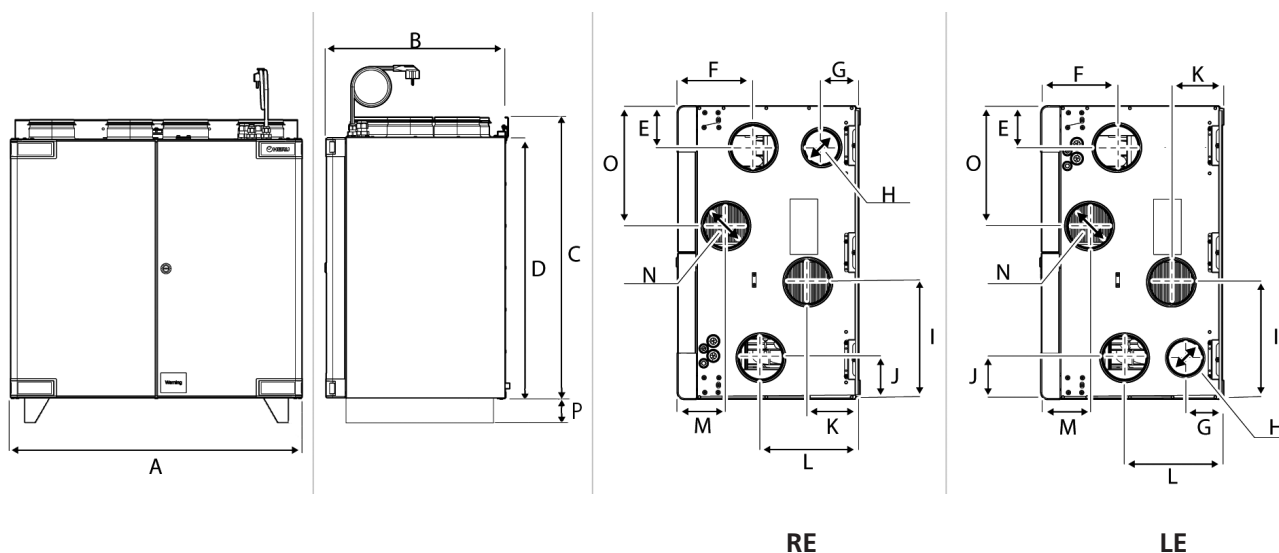
1. Last ned det komplette Modbus-registret her: <https://www.ostberg.com>.
2. Åpne hovedmeny, velg **Service**.
2. Logg inn. Skriv inn kode 1991.
3. Velg **Kommunikasjon**.
5. I alternativet **Modbus** angi følgende verdier:
 - Adresse
 - Baud
 - Stoppbit
 - Paritet
6. Gå tilbake til hovedmeny. Klikk på pilen i nedre venstre hjørne eller på hovedmeny-knappen i øvre, venstre hjørne.
7. Gå tilbake til startskjermen. Klikk på **x** i øvre venstre hjørne.

5 Tekniske data



HERU S

	HERU 100 S EC	HERU 160 S EC	HERU 200 S EC	HERU 300 S EC
Total effekt (W)	1420	2020	2620	2930
Vekt (kg)	60	80	96	99
Dimensjoner (mm)				
A	562	631	740	740
B	507	574	683	683
C	285	346	497	497
D	145	176	199	199
E	124	152	182	182
F	357	405	494	494
G	Ø 160 (4x)	Ø 200 (4x)	Ø 250 (4x)	Ø 250 (4x)
H	488	570	679	679
I	1075	1236	1352	1352
J	969	1131	1250	1250
K	379	418	498	498
L	146	165	186	186
M	145	176	199	199
N	285	346	497	497

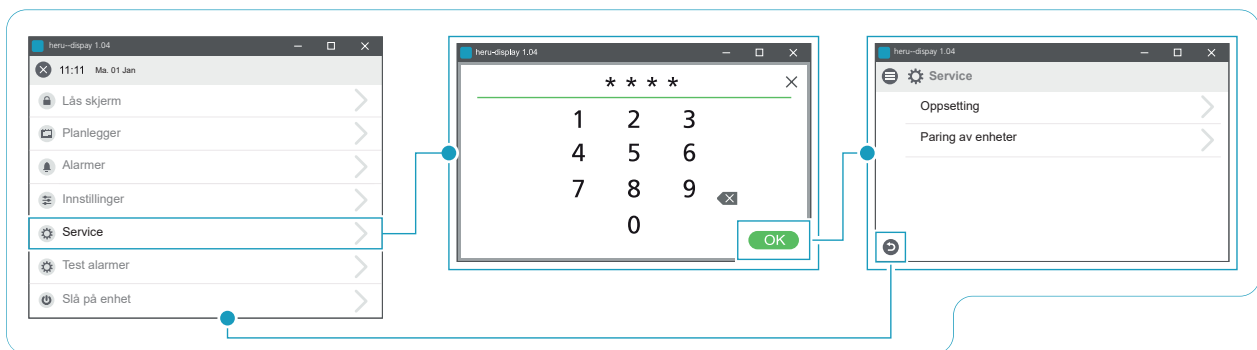


HERU T

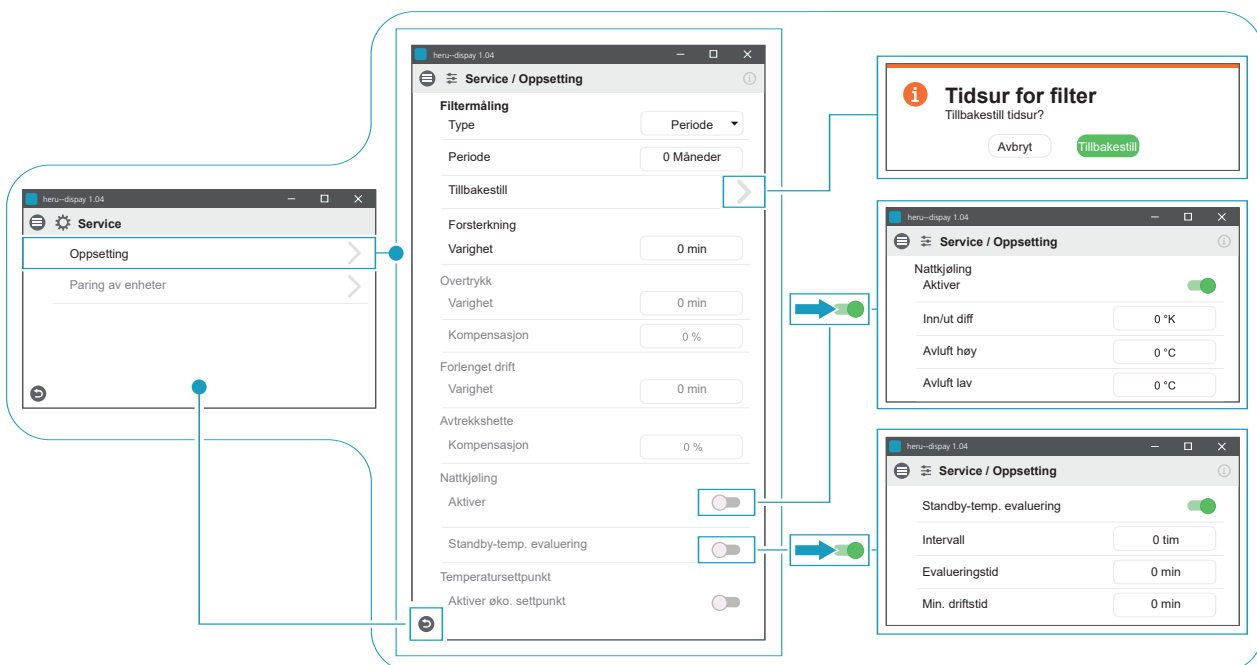
	HERU 100 T EC	HERU 160 T EC	HERU 200 T EC	HERU 300 T EC
Total effekt (W)	1420	2020	2620	2930
Vekt (kg)	70	98	135	138
Dimensjoner (mm)				
A	796	942	1124	1124
B	492	559	682	682
C	759	919	1135	1135
D	705	865	1082	1082
E	113	132	177	177
F	204	249	255	255
G	101	113	–	–
H	Ø 100 (1x)	Ø125 (1x)	–	–
I	318	370	442	442
J	112	130	174	174
K	138	138	474	474
L	265	310	250	250
M	130	149	479	479
N	Ø 125 (4x)	Ø 160 (4x)	Ø 250 (4x)	Ø 250 (4x)
O	326	372	446	446
P	–	–	100	100

For ytterligere tekniske data se <https://www.ostberg.com>.

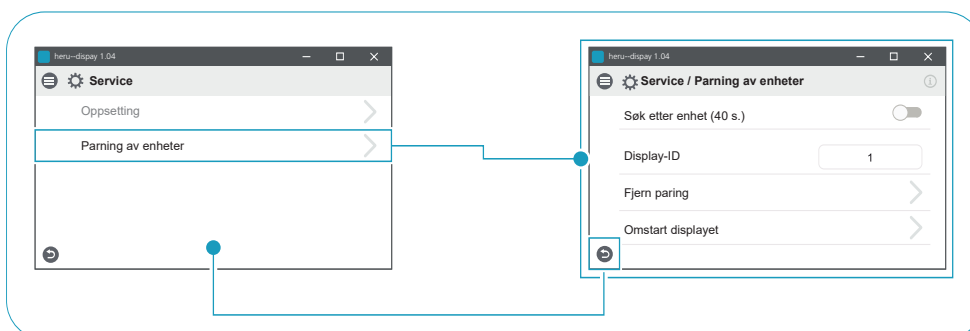
6 Menyoversikt



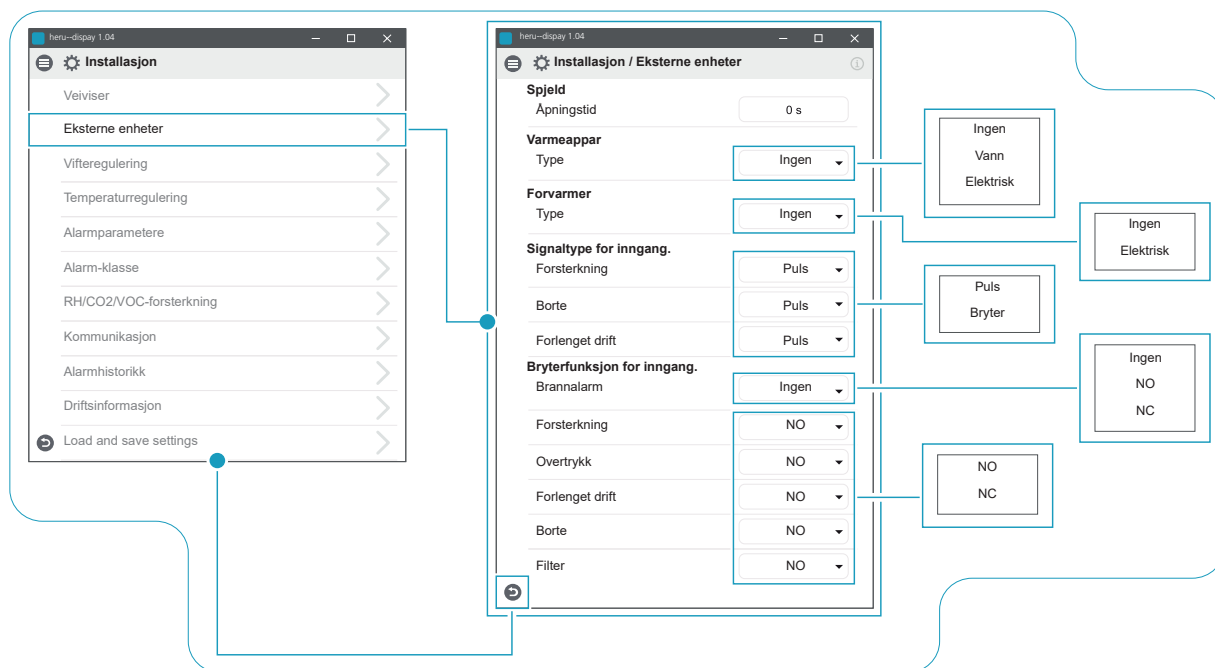
Service > Passord > Service



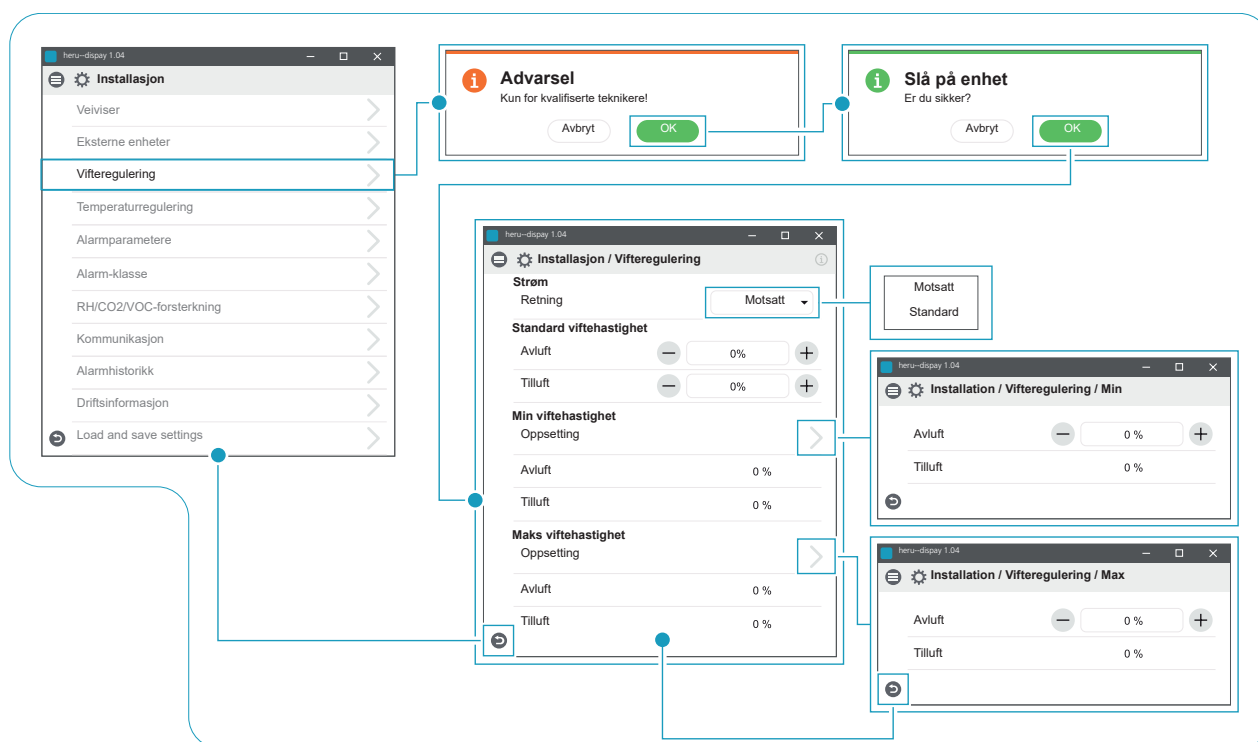
Service > Oppsetting



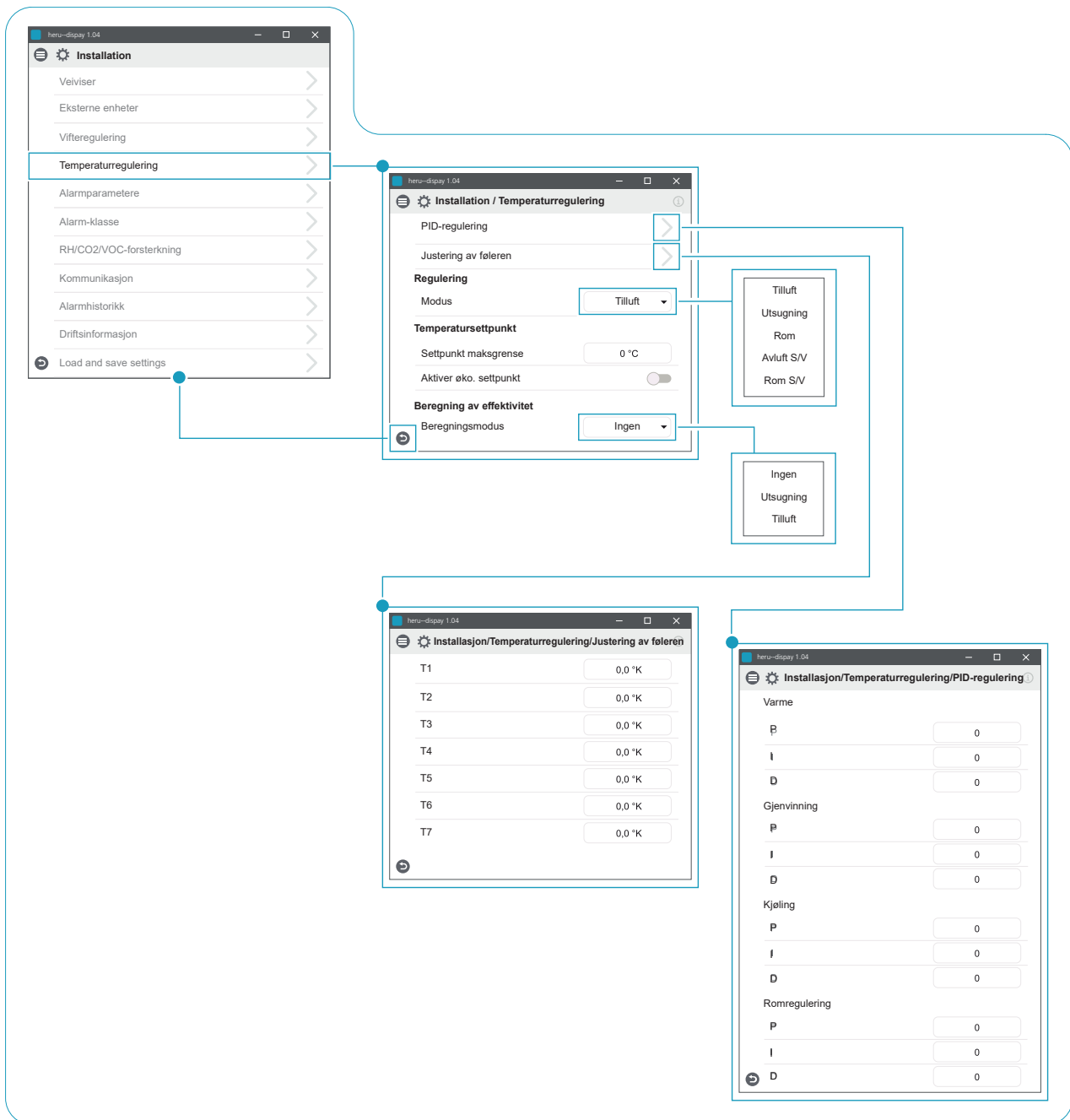
Service > Paring av enheter



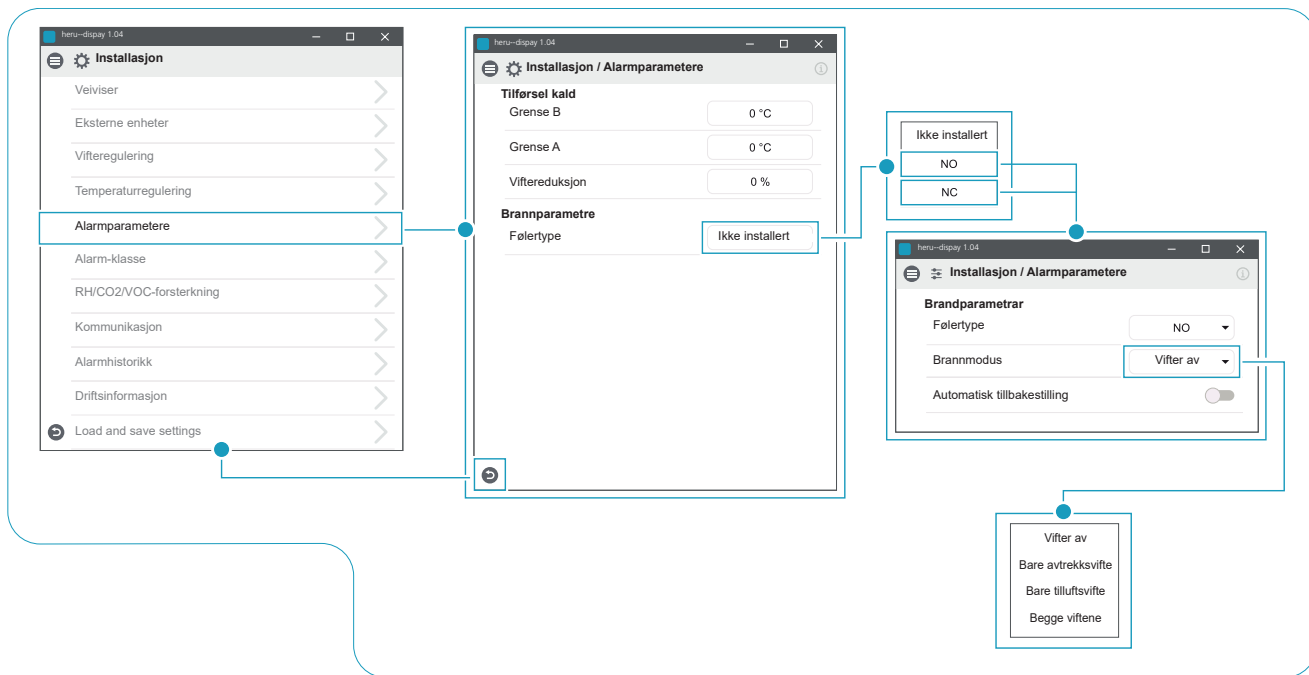
Installasjon > Installasjon / Eksterne enheter



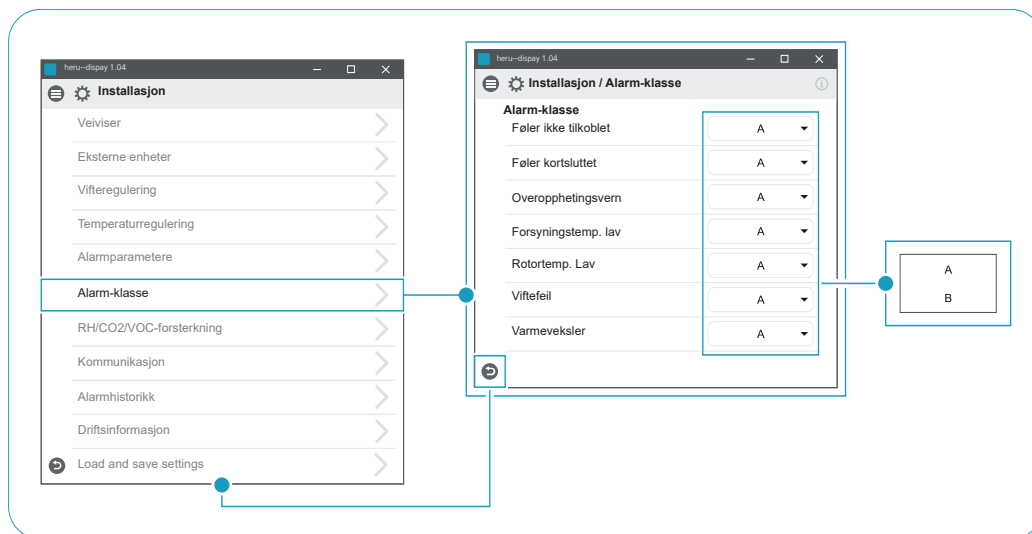
Installasjon > Installasjon / Viferegulering



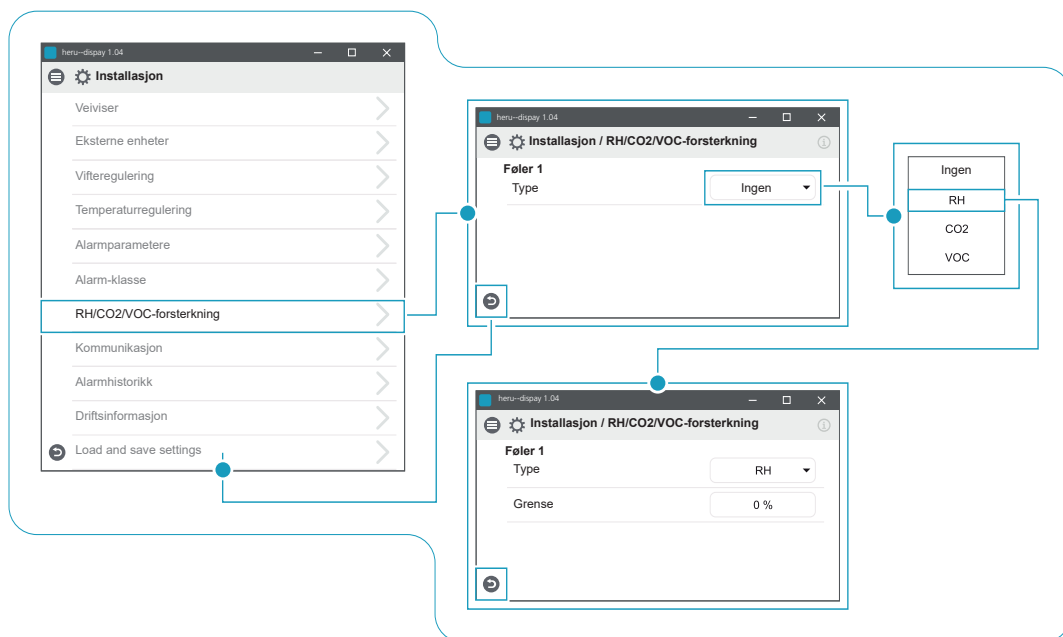
Installasjon > Installasjon / Temperaturregulering



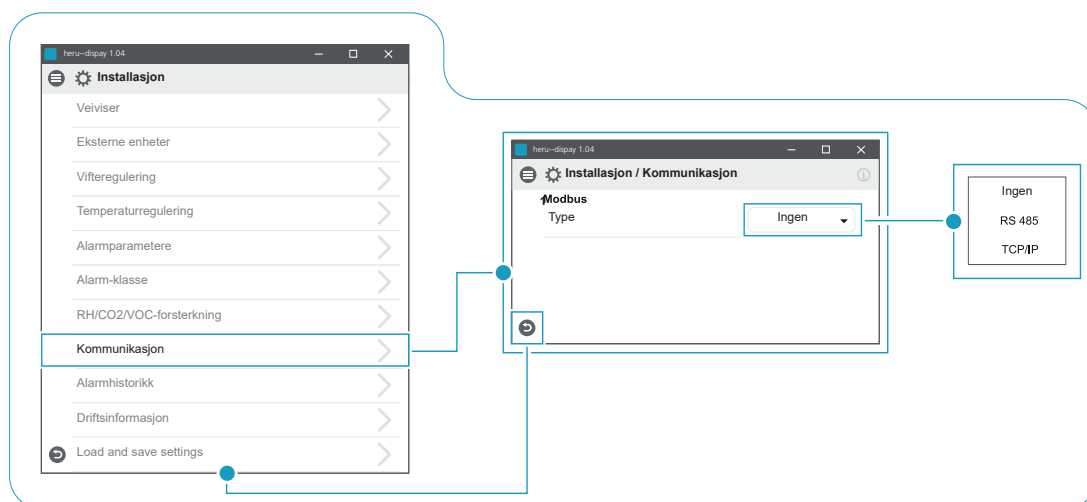
Installasjon > Installasjon / Alarmparametere



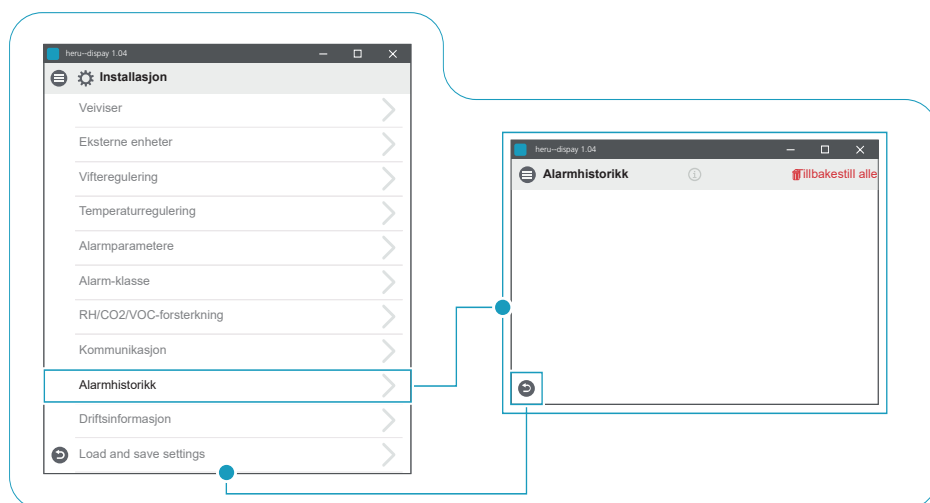
Installasjon > Installasjon / Alarm-klasse



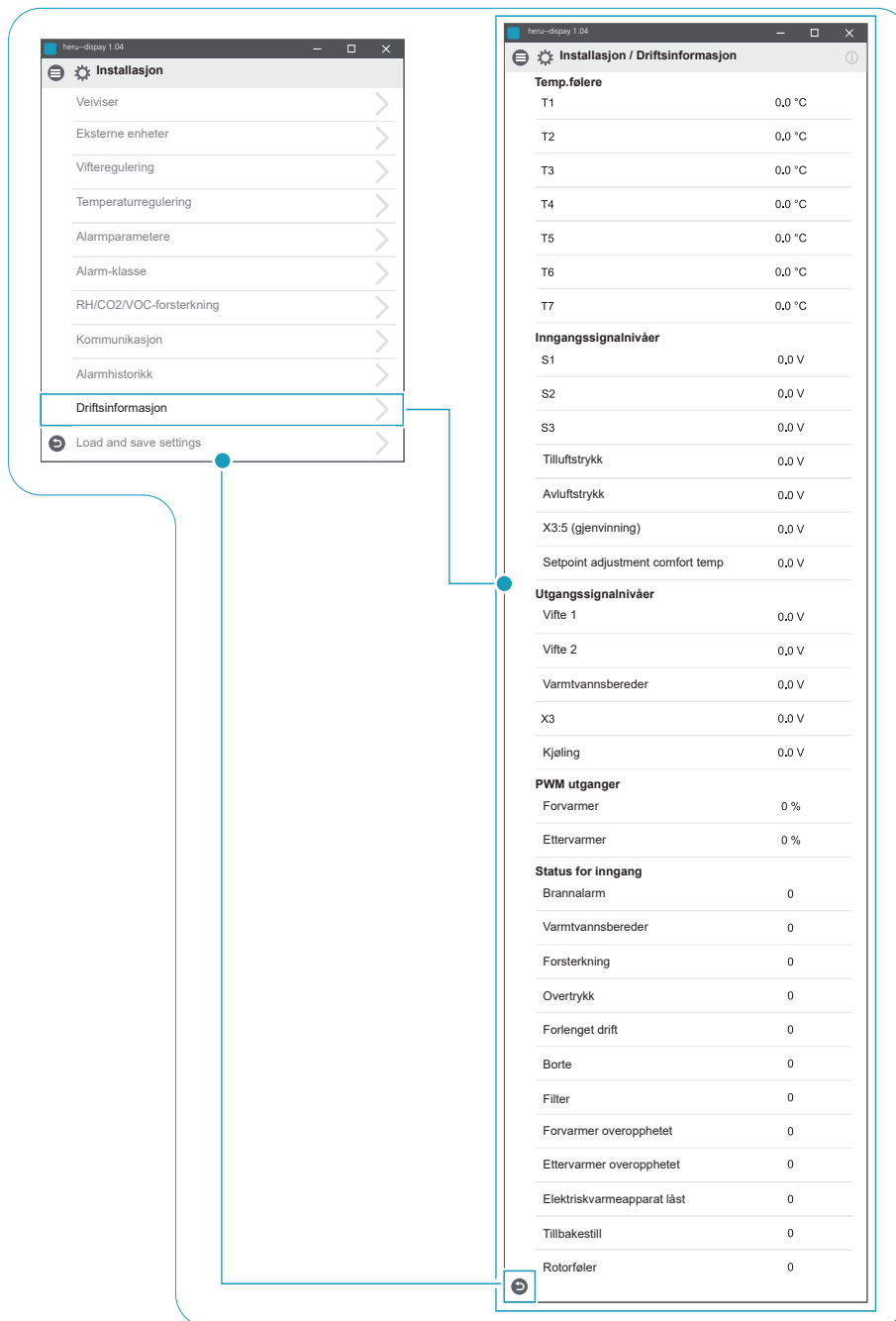
Installasjon > Installasjon / RH/CO2/VOC-forsterkning



Installation > Installation / Kommunikasjon

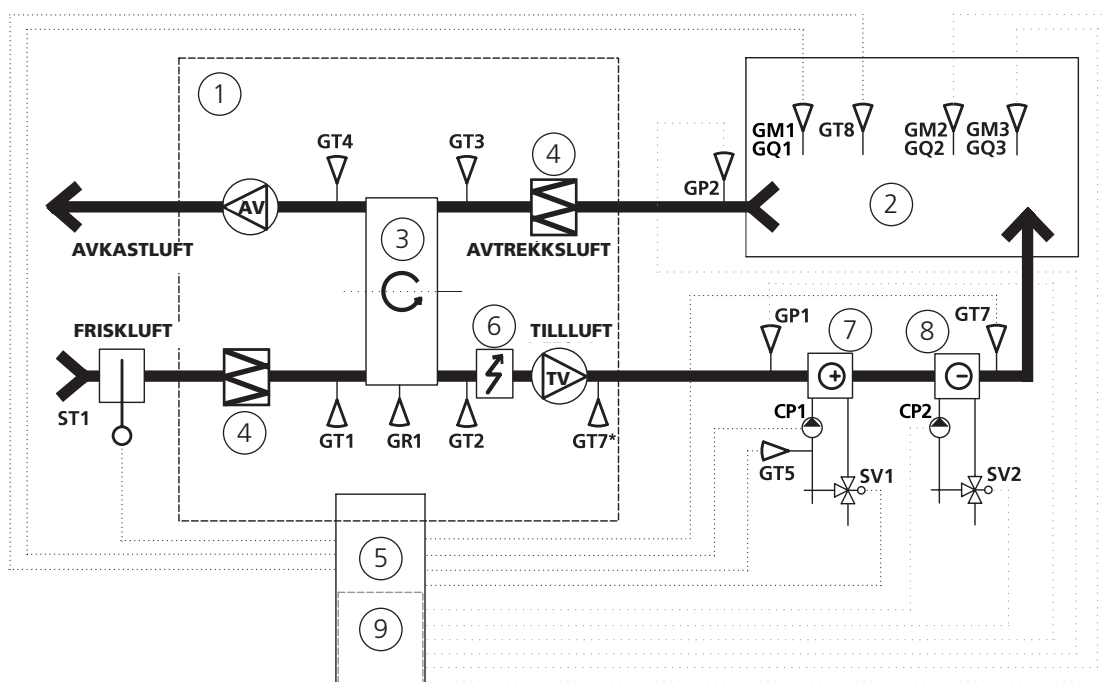


Installasjon > Installasjon / Alarmhistorikk



Installasjon > Installasjon / Driftsinformasjon

7 Styreskjema



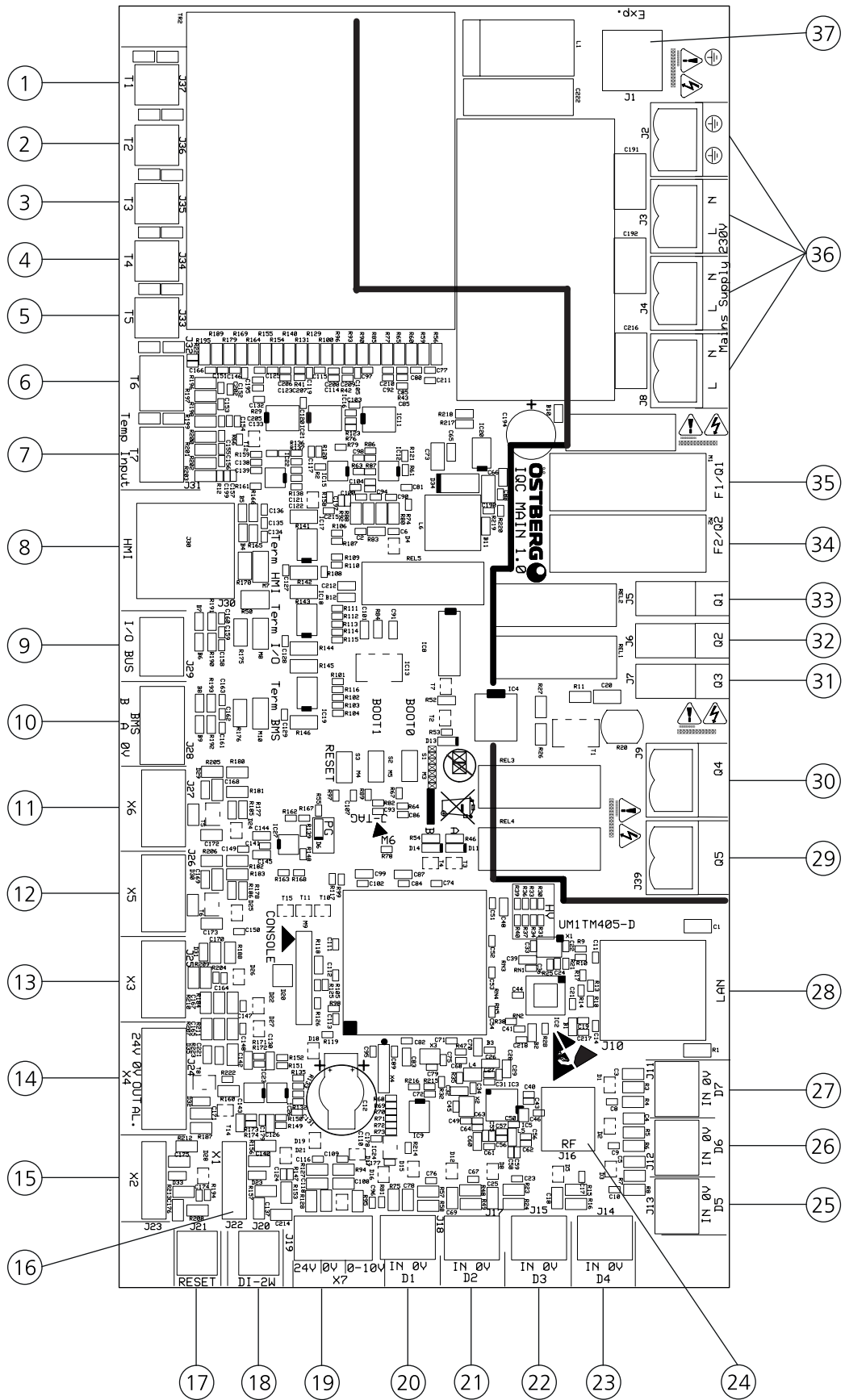
- ① HERU-enhet
- ② Rom
- ③ Roterende varmeveksler
- ④ Filtre
- ⑤ Kontrollenhet med relé-kort
- ⑥ Elektrisk varmer
- ⑦ Varmebatteri
- ⑧ Kjølebatteri
- ⑨ Elektrisk utvidelse PCB

Merk!

GT7* Temperatursensorplassering for HERU T.

GT7 Temperatursensorplassering for HERU S og når HERU T har montert varme/kjølebatteri etter aggregatet.

8 Tilkoplinger hovedkortet



Pos.	PCB etikett	Beskrivelse
①	T1	Interne temperaturføler
②	T2	Interne temperaturføler
③	T3	Interne temperaturføler
④	T4	Interne temperaturføler
⑤	T5	Frostbeskyttelse
⑥	T6	Kanalføler tilluft (GT7)
⑦	T7	Romsføler (GT8)
⑧	HMI	Display port RJ45 (svart)
⑨	I/O Bus	I/O Bus
⑩	BMS	RS 485 Modbus (slav)
⑪	X6	Forvarmer signalutgang
⑫	X5	Ettervarmer signalutgang
⑬	X3	Rotormotor signalutgang
⑭	X4	Varmebatteri signalutgang (Analog ut 0-10V / 24VAC 1,5VA)
⑮	X2	Vifte 2 signalutgang
⑯	X1	Vifte 1 signalutgang
⑰	Reset	Extern Reset
⑱	DI-2W	Rotorføler (HALL)
⑲	X7	RH/CO2/VOC (Analog in 0-10V / 24VAC 1,3VA)
⑳	D1	Brannalarm (Digital in (potentialfri))
㉑	D2	Forsterkning (Digital in (potentialfri))
㉒	D3	Overtrykk (Digital in (potentialfri))
㉓	D4	Forlenget drift (Digital in (potentialfri))
㉔	RF	SMA antenne utgang
㉕	D5	Borte-modus (Digital in (potentialfri))
㉖	D6	Filtrealarm (Digital in (potentialfri))
㉗	D7	Interlocking elektrisk ettervarmer (Digital in (potentialfri))
㉘	LAN	10/100 Mbit Ethernet RJ-45
㉙	Q5	Potensialfri utgang for pumpe – varme
㉚	Q4	Spjeld (Digital relé utgang (NO))
㉛	Q3	Triac (Digital relé utgang (NO))
㉜	Q2	Vifte 2 strøm (Digital relé utgang (NO))
㉝	Q1	Vifte 1 strøm (Digital relé utgang (NO))
㉞	F2/Q2	Glassikring T2.5A 5x20 L250V vifte 2
㉟	F1/Q1	Glassikring T2.5A 5x20 L250V vifte 1
㊱	L/N	Hovedstrøm 230V
	L/N	Hovedstrøm 230V
	L/N	Hovedstrøm 230V
	PE	Hovedstrøm 230V
㊲	Exp.	Ekspansjonskort strøm ut

Commissioning Protocol HERU S and T

This commissioning protocol aims to ensure a correct installation of the product. The checklist helps a service technician / installer to carry out important checks, but is also used as a basis for handing over the completed installation to the end user.

Signing this document means that the recipient acknowledges the installation as completed.

Check a box after each action is performed.

- The service area is secured according to the design in the operating instructions **(Chapter: Preparation & placement)**. There must be sufficient space to service and replace parts in the unit.
- Installation and function check of GT7 (temperature sensor for the supply air duct) is carried out according to the operating instructions, applies to HERU-S models **(Chapter: Mount the temperature sensor GT7)**.
- Installation of antenna is performed according to the instructions for use, it shall not be mounted against a metallic surface. **(Chapter: Mount the antenna)**.
- Insulation of airducts has been carried out along its entire length, according to industry standards. **(Chapter: Duct insulation)**.
- In homes with a fireplace and / or separate kitchen fan, the function with overpressure is informed to the end user. **See the manual "Operation & maintenance - Overpressure"**.
- In homes with a cooker hood, the function with overpressure is informed to the end user. See the manual **"Operation & maintenance - Overpressure"**.
- The latest software for the product is installed.
- The fan regulation values in the table below are filled in and the user / customer has received information about its significance.
- For the warranty to apply - state that filter replacement and cleaning of the unit must take place at least once a year.

Fan regulation

Flow direction: Standard Opposite

Standard fan speed:

Exhaust air: _____% Reference: _____ Pa

Supply air _____% Reference: _____ Pa

Minimum fan speed (away mode): 

Exhaust air: _____% Reference: _____ Pa

Supply air _____% Reference: _____ Pa

Max fan speed (boost): 

Exhaust air: _____% Reference: _____ Pa

Supply air _____% Reference: _____ Pa

Signing and handing over installation to user / customer:

Product serial number (S/N): _____

Article number (801XXXX): _____

Responsible installer: _____

Installing company: _____

Place and date: _____

User / Customer: _____

Installation address: _____

Place and date: _____

There are sheets for further notes after the protocol.

Driftsättningsprotokoll HERU S och T

Driftsättningsprotokollet syftar till att säkerställa en korrekt installation av produkten. Checklistan hjälper servicetekniker/installatör att viktiga kontroller utförs men används även som underlag för att överlämna genomförd installation till slutanvändaren.

Signeringen innebär att mottagaren kvitterar installationen som genomförd.

Kryssa i rutan efter utförd handling.

- Serviceytan säkerställd enligt utförande i bruksanvisningen **(Kap: Förberedelse & placering)**. Det ska finnas plats att serva och byta delar i aggregatet.
- Installation och funktionskontroll av GT7 (temperatursensor för tilluftskanalen) är utförd enligt bruksanvisningens angivelse, gäller HERU-S – **(Kap: Montera temperaturgivaren GT7)**.
- Installation av antenn är utförd enligt bruksanvisningens angivelse, ej monterad mot en metallisk yta). **(Kap: Montera antennen)**.
- Isolering av kanaler har utförts i hela sin längd, enligt branschstandard. **(Kap: Kanalisolering)**.
- I bostäder med eldstad och/eller separat köksfläkt har funktionen med övertryck informeras slutanvändaren.
Se manualen "Drift & underhåll – Övertryck".
- I bostäder med spiskåpa har funktionen med övertryck informeras slutanvändaren.
Se manualen "Drift & underhåll – Övertryck".
- Den senaste mjukvaran till produkten är installerad.
- Fläkregleringsvärdena i tabellen nedan är ifyllda och användare/kunden har fått information om dess betydelse.
- För att garantin ska gälla – upplys om att filterbyte och rengöring av aggregatet, ska ske minst en gång per år.

Fläkreglering

Flödesriktning: Standard Motsatt

Standard fläkthastighet:

Avluft: _____ % Referens: _____ Pa

Tillluft: _____ % Referens: _____ Pa

Min fläkthastighet (bortaläge):



Avluft: _____ % Referens: _____ Pa

Tillluft: _____ % Referens: _____ Pa

Max fläkthastighet (boost):



Avluft: _____ % Referens: _____ Pa

Tillluft: _____ % Referens: _____ Pa

Signering och överlämnande av installation till användare/kund:

Produktens serienummer (S/N): _____

Artikelnummer (801XXXX): _____

Ansvarig installatör: _____

Installerande företag: _____

Ort och datum: _____

Användare/Kund: _____

Installationsadress: _____

Ort och datum: _____

Plats för ytterligare anteckningar finns efter protokollet.

Igangsettingsprotokoll HERU S og T

Igangkjøringsprotokollen har som mål å sikre en korrekt installasjon av produktet. Sjekklisten hjelper servicetekniker/installatør med å gjennomføre viktige kontroller, men brukes også som grunnlag for overlevering av utført installasjon til sluttbruker.

Signeringen innebærer at mottaker bekrefter at installasjonen er fullført.

Merk av i boksen etter oppgave er utført.

- Servicetilgang er sikret i henhold til bruksanvisningen (**Kapittel: Forberedelse & plassering**). Det må være plass til service og utskifting av deler i enheten.
- Montering og funksjonskontroll av GT7 (temperaturføler for tilluftskanal) utføres i henhold til bruksanvisning, gjelder HERU-S (**Kapittel: Monter temperaturføler GT7**).
- Installasjon av antenne utføres i henhold til bruksanvisningen, ikke montert mot en metallisk overflate. (**Kapittel: Monter antennen**).
- Isolering av kanaler er utført i hele lengden, i henhold til industristandarder. (**Kapittel: Kanalisolasjon**).
- I boliger med peis og/eller separat kjøkkenvifte informeres funksjonen med overtrykk til sluttbruker. **Se manualen "Drift & vedlikehold - Overtrykk"**.
- I boliger med kjøkkenhette informeres overtrykksfunksjonen til sluttbruker. **Se manualen "Drift & vedlikehold - Overtrykk"**.
- Den nyeste programvaren for produktet er installert.
- Viftereguleringsverdiene i tabellen nedenfor er fylt ut og bruker/kunde har fått informasjon disse.
- For at garantien skal gjelde - oppgi at filterbytte og rengjøring av enheten må skje minst en gang i året.

Viftekontroll

Strømningsretning: Standard Motsatt

Standard viftehastighet:

Avtrekksluft: _____ % Referanse: _____ Pa

Tilluft _____ % Referanse: _____ Pa

Min viftehastighet (bortemodus):



Avtrekksluft: _____ % Referanse: _____ Pa

Tilluft _____ % Referanse: _____ Pa

Maks viftehastighet (boost):



Avtrekksluft: _____ % Referanse: _____ Pa

Tilluft _____ % Referanse: _____ Pa

Signering og overlevering av installasjon til bruker/kunde:

Produktets serienummer (S/N): _____

Artikkelnummer (801XXXX): _____

Ansvarlig installatør: _____

Installerende firma: _____

Sted og dato: _____

Bruger / kunde: _____

Installasjonsadresse: _____

Sted og dato: _____

Det er ark for ytterligere notater etter protokollen.

energy
efficient
ventilation

ÖSTBERG 

H ÖSTBERG AB

Box 54, SE-774 22 Avesta, Sweden

Phone: +46 226 860 00

E-mail: info@ostberg.com

www.ostberg.com

ART.NO 1270447_7