



Other languages in digital format can be downloaded at www.ostberg.com

INSTALLATION EN.....	5
INSTALLATION SE	47
INSTALLASJON NO	91

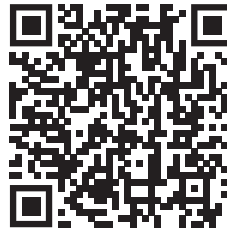
The manufacturer cannot be held liable for injury and damage to people or property that are caused by incorrect installation, start up and/or incorrect use of the unit and/or failure to follow the processes and instructions that are set out in the user manual "Operation & maintenance". For safety reasons it is essential to follow the instructions in the user manual.

The warranty will be immediately invalidated in the event of injury that is caused by failure to follow the instructions. Installation and commissioning must be performed by a professional in order for the warranty to apply.

Shortcuts:

- **Log in Settings menu:** Enter code 1991.
- **Log in Service menu:** Enter code 1199.
- **Download the latest firmware version:** [Firmware.](#)
- **Download complete Modbus register:** [Modbus.](#)

FIRMWARE



MODBUS



- **Download the app:** [HERU IQ App](#)

APPLE



GOOGLE



- **Download wiring diagrams via the links below.**
- **Links to product information** www.ostberg.com

HERU S

HERU 100 S EC



HERU 160 S EC



HERU 200 S EC



HERU 300 S EC



HERU T

HERU 100 T EC



HERU 160 T EC



HERU 200 T EC



HERU 300 T EC



Table of Content

1 Safety	6
Warnings	6
General safety.....	6
Product label	7
Declaration of conformity.....	8
2 Transport and storage	9
General	9
Checking the delivery.....	9
3 Installation	10
3.1 Mounting principles	11
3.2 Mounting distance	12
3.3 Charging the wireless display	13
3.4 HERU S	13
3.4.1 Dismounting the unit to reduce the weight when installing HERU S	13
3.4.2 Installation HERU S	15
3.4.3 Moving the electric heater for flow in the opposite direction HERU S	17
3.4.4 Mounting the parts after installing HERU S	18
3.5 HERU T	19
3.5.1 Dismounting the unit to reduce the weight when installing HERU T	19
3.5.2 Installation HERU T	21
3.5.3 Mounting the parts after installing HERU T	25
3.6 Connecting the unit to the power source	27
3.7 Connecting Modbus to external control equipment	28
4 Final routines	29
5 Commissioning	30
5.1 Starting the HERU unit for the first time.....	30
5.2 Configuring the unit.....	31
5.3 Adapting the unit for airflow in the opposite direction	32
5.4 Configuring the unit for Modbus.....	32
6 Technical data	33
7 Select Menu overview	35
8 Control diagram	41
9 Connections main board	42
10 Configuration protocol for HERU S and HERU T	44

1 Safety

1.1 Warnings



WARNING!

A warning states a risk of personal injury.



AKTAS!

A caution states a risk of damage to equipment.

1.2 General safety



WARNING!

All electrical installations must be performed by a qualified electrician.



WARNING!

Power must be cut to the unit for two minutes before work can be started.



WARNING!

Ensure that the power cable is not damaged during mounting and installation.



WARNING!

The unit may not be started until the installation is completely finished and the ducts have been connected.



WARNING!

The safety switch must not be used for normal starting and stopping of the unit. Use the accompanying wireless display.



WARNING!

The safety switch must be switched off when the cover of the electrical distribution box or the doors/cover of the unit are opened/removed from the unit.



WARNING!

The unit must always be equipped with a type A or B, 30 mA residual current device (RCD). Units without plugs must be installed with a safety switch, which must be mounted close by.



WARNING!

Units with plugs must be fused with a C10 A-fuse.



WARNING!

Units without plugs must be fused with a 2xC10 A-fuse together with 2.5 mm² conductor.



WARNING!

All operations on the unit and its peripheral equipment must be performed in accordance with local laws and regulations.



WARNING!

Watch out for sharp edges and corners on the unit.

**WARNING!**

Pay attention to the weight of the unit and its parts during mounting and maintenance.

**WARNING!**

Rotating, hot and electrical components can cause serious injuries.

**WARNING!**

Ducts must be connected and doors/cover must be closed be locked before starting up the unit. Risk of personal injury from rotating parts.

**CAUTION!**

We recommend always installing a spring-return damper in the ducts for fresh air and exhaust air.

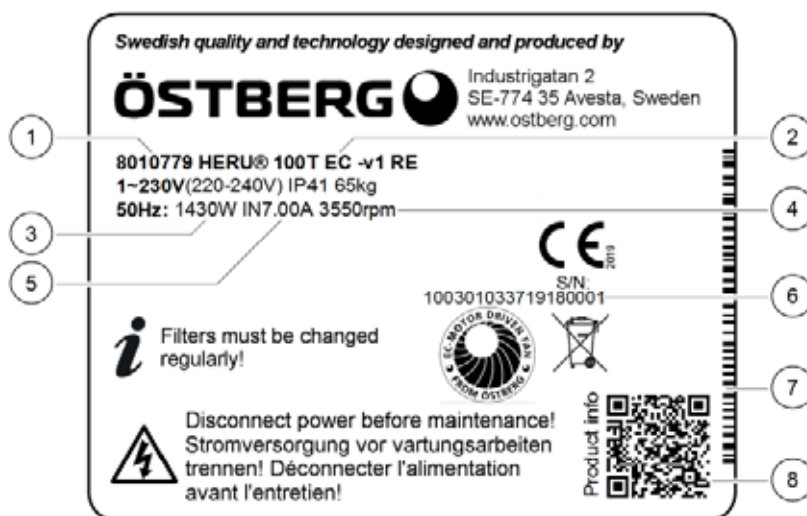
**CAUTION!**

Do not connect an exhaust air type tumble dryer or drying cabinet to the system due to the high air humidity.

**CAUTION!**

If the unit is installed when it is cold outside/in the winter and it will not immediately be put into use, the ducts must be plugged again otherwise there is a risk of condensation and the unit freezing.

1.3 Product label



Example of product label

- ① Item number
- ② Product name
- ③ Maximum power including heater
- ④ RPM at maximum power
- ⑤ Current at maximum power including heater
- ⑥ Serial number
- ⑦ Serial number as bar code
- ⑧ QR-code for product web page



EU DECLARATION OF CONFORMITY

We hereby confirm that our products comply with the requirements in the following EU-directives and harmonised standards and regulations.

Manufacturer: H. ÖSTBERG AB
Industrigatan 2
SE-774 35 Avesta, Sweden
Tel No +46 226 860 00
Fax No +46 226 860 05
<http://www.ostberg.com>
info@ostberg.com
VAT No SE556301220101



Products: Bidirectional ventilation unit RVU: HERU® 95 T EC, HERU® 100 T EC, HERU® 160 T EC, HERU® 200 T EC, HERU® 300 T EC, HERU® 100 S EC, HERU® 160 S EC, HERU® 200 S EC, HERU® 300 S EC, HERU® 70 K EC, HERU® 50 LP EC, HERU® 90 LP EC, HERU® 180 S EC 2, HERU® 250 T EC, HERU® 130 S EC, HERU® 250 S EC
Bidirectional ventilation unit NRVU: HERU® 400 T EC, HERU® 600 T EC, HERU® 800 T EC, HERU®, 1200 T EC, HERU® 400 S EC, HERU® 600 S EC, HERU® 800 S EC, HERU® 1200 S EC

This EU declaration is applicable for products including our accessories for mounting and installation only if the installation is made in accordance with the enclosed installation instructions and that the product has not been modified.

Radio Equipment Directive (RED) 2014/53/EU

Harmonised standards:

- EN 300 220-2:2018 V3.1.1
- EN 303 446-1:2019 (EN 55014-1:2017, A11, EN 55014-2:2015, EN IEC 61000-3-2:2019, EN 61000-3-3:2013, A1)
- EN 301 489-3:2019

Machinery Directive (MD) 2006/42/EC

Harmonised standards:

- EN ISO 12100:2010
- EN ISO 13857:2019
- EN 60204-1:2018
- EN 60335-1:2012, AC 1, A 13 R1, A 11, A 12, A 13, A 1, A 14, A2
- EN 60335-2-40:2003, A13, A2, A12, A1, A11, C1, C2
- EN 60335-2-30:2010, A11, A1, A12

Ecodesign Directive 2009/125/EC

Harmonised regulation:

- 1253/2014 Ecodesign requirements for ventilation units
- 1254/2014 Energy labeling of residential ventilation units

Standards:

- RVU: SS-EN 13141-7:2010 or NRVU: SS-EN 13053:2019

RoHS Directive 2011/65/EU

Harmonised standards:

- EN IEC 63000:2018

Avesta 2021-03-17

Mikael Östberg
Product Manager

2 Transport and storage

2.1 General

The HERU unit must be stored in a protected and dry space before installation.

2.2 Checking the delivery

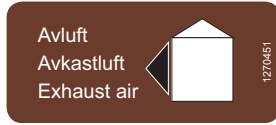
1. Inspect the unit carefully upon delivery to check for any damage that may have occurred during transport. Immediately inform the manufacturer in the event of severe damage.

NOTE! The manufacturer cannot be held liable for damage to the unit during transport, even if the manufacturer has appointed the shipping agent.

2. Check that the delivery contains all ordered parts.

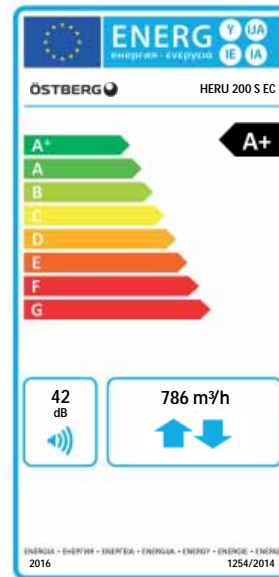
The following parts will be included in the HERU delivery:

- Mounted HERU unit
- Labels:
 - Air direction labels



(only HERU T 100/160)

- Energy label (example)



- Cables:
 - Antenna cable
 - GT7 cable (only for HERU S)
 - Cord set with plug (excluding HERU S 200/300 and HERU T 200/300)
- 2 filters
- Touch display/Wireless display
- Wall console for the unit (only for HERU T 100/160)
- Wall console for the display
- Charger
- Vibration damper x2 (HERU T 100), x3 (HERU T 160)
- Antenna and antenna bracket
- Information sheet (only for HERU S)
- Installation manual
- Manual for operation and maintenance

3. Contact your dealer if anything is missing.

3 Installation

**WARNING!**

Power must be cut to the unit for two minutes before work can be started.

**WARNING!**

Se till att elektriciteten är avstängd under hela monteringsprocessen.

**WARNING!**

The unit may not be started until the installation is completely finished and the ducts have been connected.

**WARNING!**

All electrical installations must be performed by a qualified electrician.

**WARNING!**

The safety switch must be switched off when the cover of the electrical distribution box or the doors/cover of the unit are opened/removed from the unit.

**WARNING!**

All operations on the unit and its peripheral equipment must be performed in accordance with local laws and regulations.

**WARNING!**

Rotating, hot and electrical components can cause serious injuries.

**CAUTION!**

Do not connect an exhaust air type tumble dryer or drying cabinet to the system due to the high air humidity.

**CAUTION!**

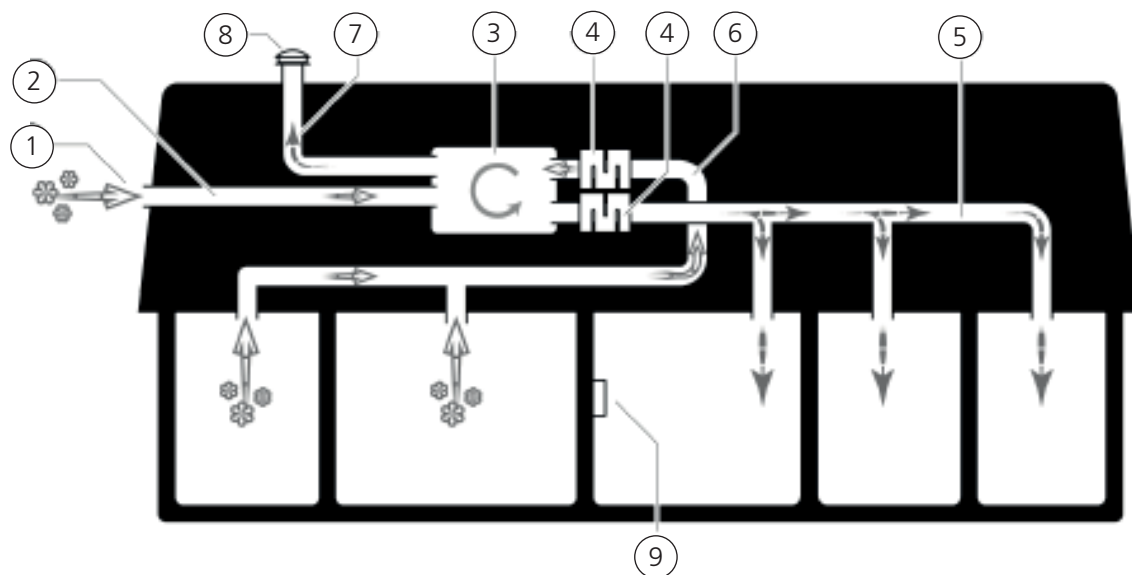
If the unit is installed when it is cold outside/in the winter and it will not immediately be put into use, the ducts must be plugged again otherwise there is a risk of condensation and the unit freezing.

**CAUTION!**

Installation and commissioning must be performed by a professional in order for the warranty to apply

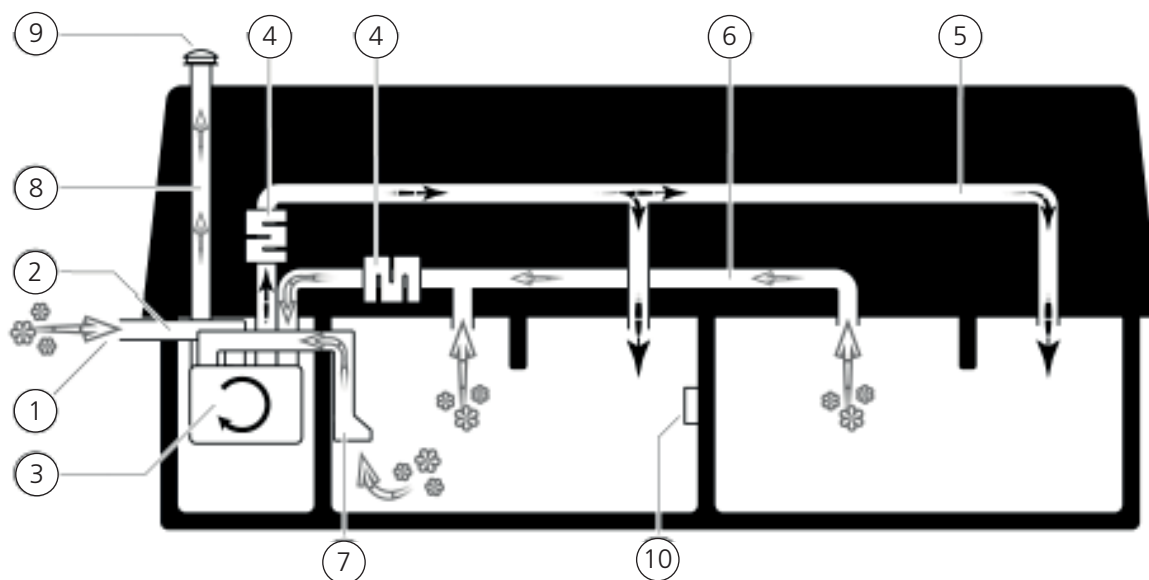
3.1 Mounting principles

HERU S for placement in warm or cold space, e.g. in the attic.



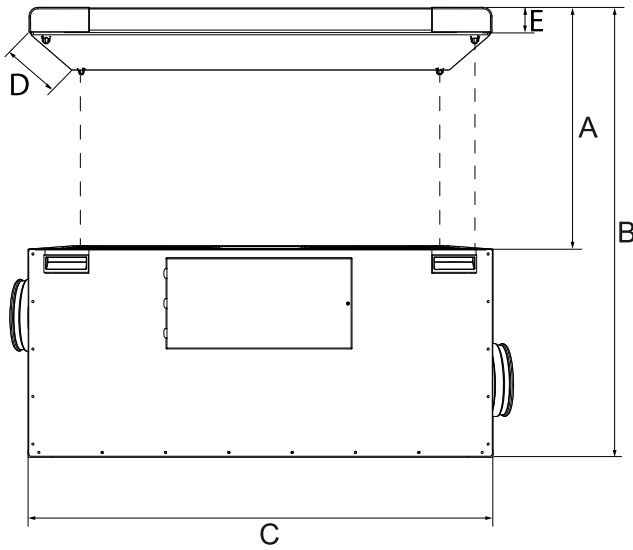
- | | |
|-------------------------------|-------------------------|
| ① Intake grille for fresh air | ⑥ Extract air duct |
| ② Fresh air duct | ⑦ Exhaust air duct |
| ③ HERU S energy recovery unit | ⑧ Roof hood exhaust air |
| ④ Silencers | ⑨ Wireless IQC display |
| ⑤ Supply air duct | |

HERU T for placement in warm space, e.g. in the laundry.



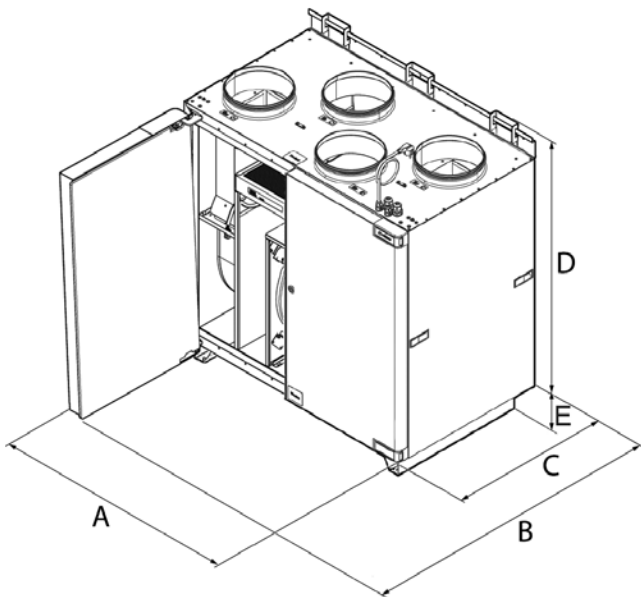
- | | |
|-------------------------------|---------------------------|
| ① Intake grille for fresh air | ⑥ Extract air duct |
| ② Fresh air duct | ⑦ Cooker hood extract air |
| ③ HERU T energy recovery unit | ⑧ Exhaust air duct |
| ④ Silencers | ⑨ Roof hood exhaust air |
| ⑤ Supply air duct | ⑩ Wireless IQC display |

3.2 Mounting distance



Mounting distance for HERU S

(mm)	A	B	C	D	E
HERU 100 S EC	415	850	969	507	51
HERU 160 S EC	519	1038	1131	574	51
HERU 200 S EC	728	1456	1250	680	51
HERU 300 S EC	728	1456	1250	680	51



Mounting distance for HERU T

(mm)	A	B	C	D	E
HERU 100 T EC RE/LE	796	990	492	759	–
HERU 160 T EC RE/LE	942	1130	559	919	–
HERU 200 T EC RE/LE	1124	1344	682	1135	100
HERU 300 T EC RE/LE	1124	1344	682	1135	100

3.3 Charging the wireless IQC display

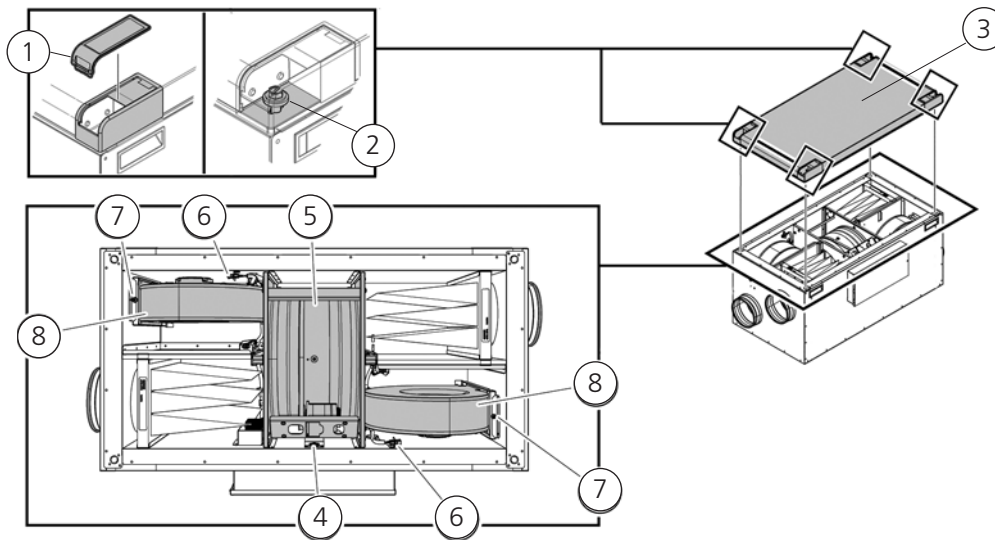
Preparations :

No preparations are required.

1. Connect the charger's mini USB connector to the wireless IQC display.
2. Connect the charger to the wall socket.

3.4 HERU S

3.4.1 Dismounting the unit to reduce the weight when installing HERU S.



Method for dismounting unit

- ① Plastic cover
- ② Screws
- ③ Unit lid
- ④ Quick connector for rotor cassette
- ⑤ Rotor cassette
- ⑥ Quick connector for fan
- ⑦ Screw Torx T25
- ⑧ Fan

Preparations:

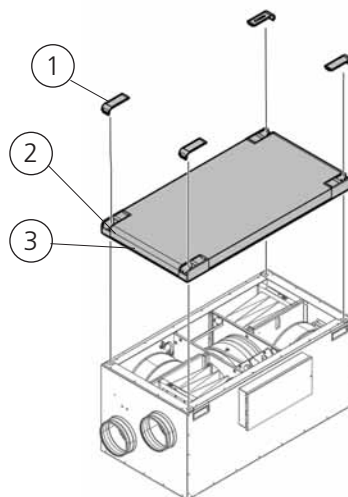
Tool

- Torx T25 screwdriver
- Flat-blade screwdriver/13 mm socket

No preparations are required.

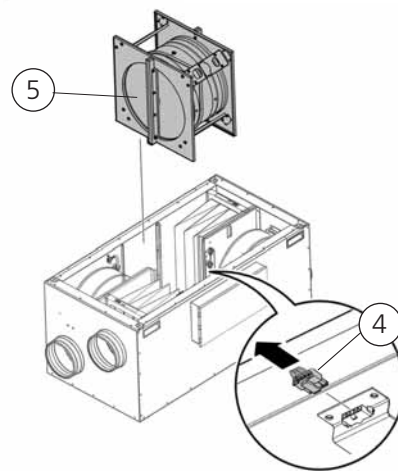
Remove the lid of the unit.

- ① Remove the plastic corner cover.
- ② Unscrew the screws holding the unit lid.
- ③ Lift off the lid.



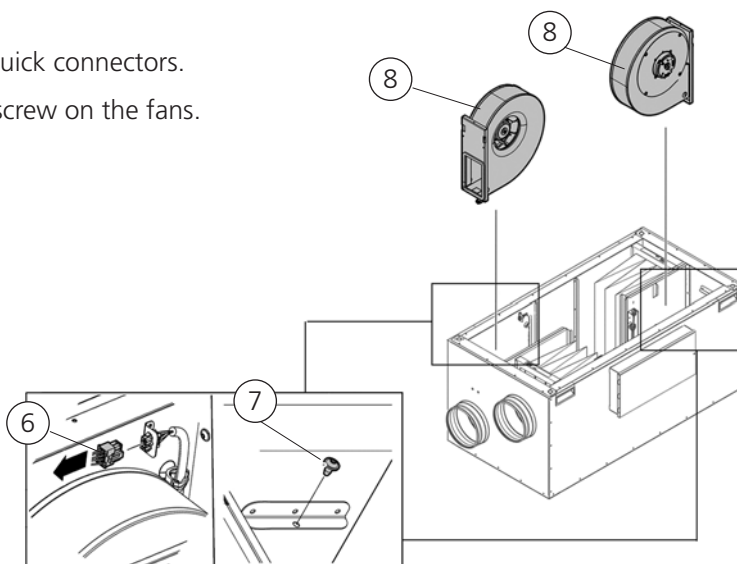
Remove the rotor cassette.

- ④ Disconnect the rotor cassette's quick connector.
- ⑤ Take out the rotor cassette.



Remove the fans.

- ⑥ Disconnect the fans' quick connectors.
- ⑦ Remove the Torx T25 screw on the fans.
- ⑧ Take out the fans.



3.4.2 Installation HERU S



CAUTION!

The cooker hood must not be connected to the unit due to the increased cleaning requirement.

Preparations:

- Place insulation board on the installation surface.
- The mounting distance, see **3.2 Mounting distance**, must be followed.
- HERU S can be mounted in a cold or warm space.
- Local regulations for siting, access and electrical connections must be followed when installing HERU S.
- The dimensioned airflow should not exceed 75% of the unit's maximum capacity.
- When installing in warm and moist places, for example a bathroom or utility room, condensation may occur on the outside of the unit at low outdoor temperatures. If the unit is installed in cold weather and cannot immediately be put into use, the ducts must be plugged again otherwise there is a risk of condensation.
- We recommend always installing a spring-return damper in ducts for fresh air and exhaust air.
- If there are major differences between ambient temperature and the temperature in the ducts for the supply and extract air, these must be insulated to prevent condensation.
- The ducts for fresh air and exhaust air must always be insulated against condensation.
- The ducts must be insulated all the way up to the unit.

Tool

- Ø9 mm drill bit
- Spirit level
- Torx T25 screwdriver

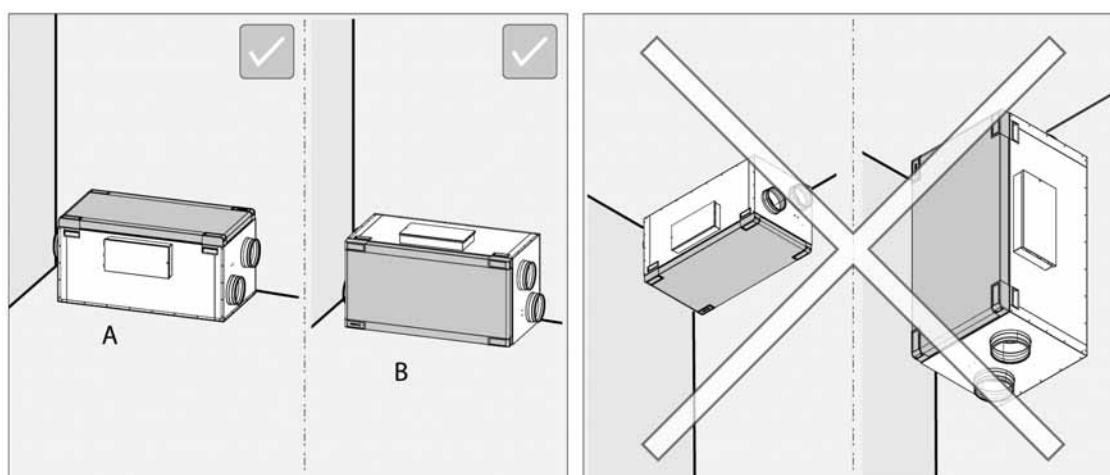
Material - HERU 100 och 160 S

- Insulation board, minimum 50 mm.
- Cable ties

Material - golvstående HERU 200 och 300 S

- Insulation board, minimum 50 mm.
- Cable ties
- Floor stand (available as accessory)
- Pipe clip or flange with surrounding insulation

1. Installing HERU S with the lid upwards (A) or to the side (B).



WARNING!

Do not install the unit vertically or with the cover downwards due to the risk of injury.

NOTE! Ensure that there is space for service and maintenance around the unit.
See **3.2 Mounting distance**.

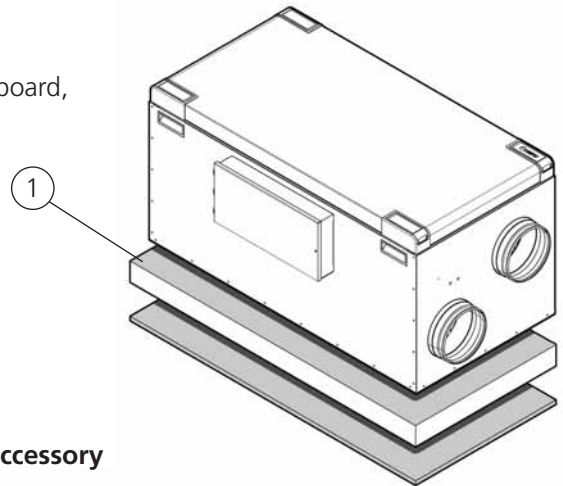
Floor standing HERU 100 and 160 S

- ① Place the unit on a shock-resistant insulation board, minimum 50 mm.

Ensure that the unit is level in both the x and y axes. Use a spirit level.

NOTE!

The base for the unit must be level and stable.



Floor standing HERU 200 and 300 S with floor stand as accessory

- ② Place the unit on a shock-resistant insulation board, minimum 50 mm.

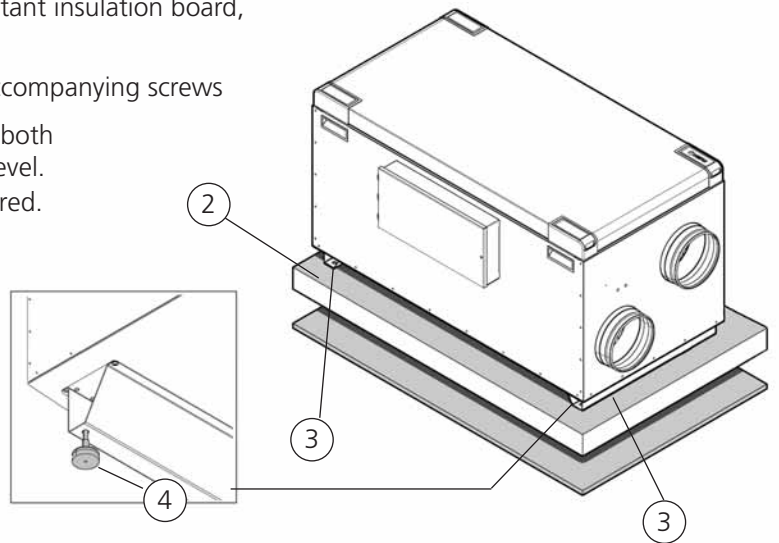
- ③ Mount the floor stand with accompanying screws

- ④ Ensure that the unit is level in both the x and y axes. Use a spirit level. Adjust the feet (pos 3) if required.

NOTE!

The base for the unit must be level and stable.

The Novibra mat accessory can be placed under the feet to minimise vibrations from the floor joists.



Connect the ducts to the unit.

2. Use a pipe clip or flange with surrounding insulation.
3. Mount the duct sensor GT7 in the supply air duct. See **9 Control diagram**.
 - Prepare the duct. Drill a Ø9 mm hole; site it approx. 1000 mm after the unit, cooling or heating coil.
 - Pull the cable through the cable bushing.
 - Mount the duct sensor in the drilled hole. The duct sensor must be placed centrally in the duct.
 - Attach the duct sensor. Secure with a cable tie around the cable bushing
4. Attach the antenna in a suitable place on the side of the unit. Place the antenna as centrally as possible to maximise the signal in the building. An extension cord is available as an accessory, if required.

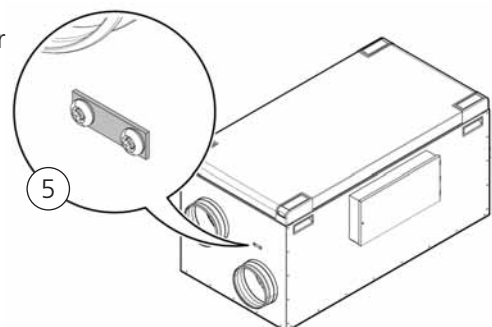


CAUTION!

The antenna must not be attached against any metal surface or object, as this will block the signal

5. If a heating coil is connected, a spring-return damper must be installed in the ducts for fresh air and exhaust air. This reduces the risk of freezing when the unit is not in use.

- ⑤ Connect the ducts to one of the external ground points on the unit.



3.4.3 Moving the electric heater for flow in the opposite direction

NOTE!

The unit is configured for airflow in the standard direction on delivery.

The electric heater must be moved if the airflow needs to be changed to the opposite direction.

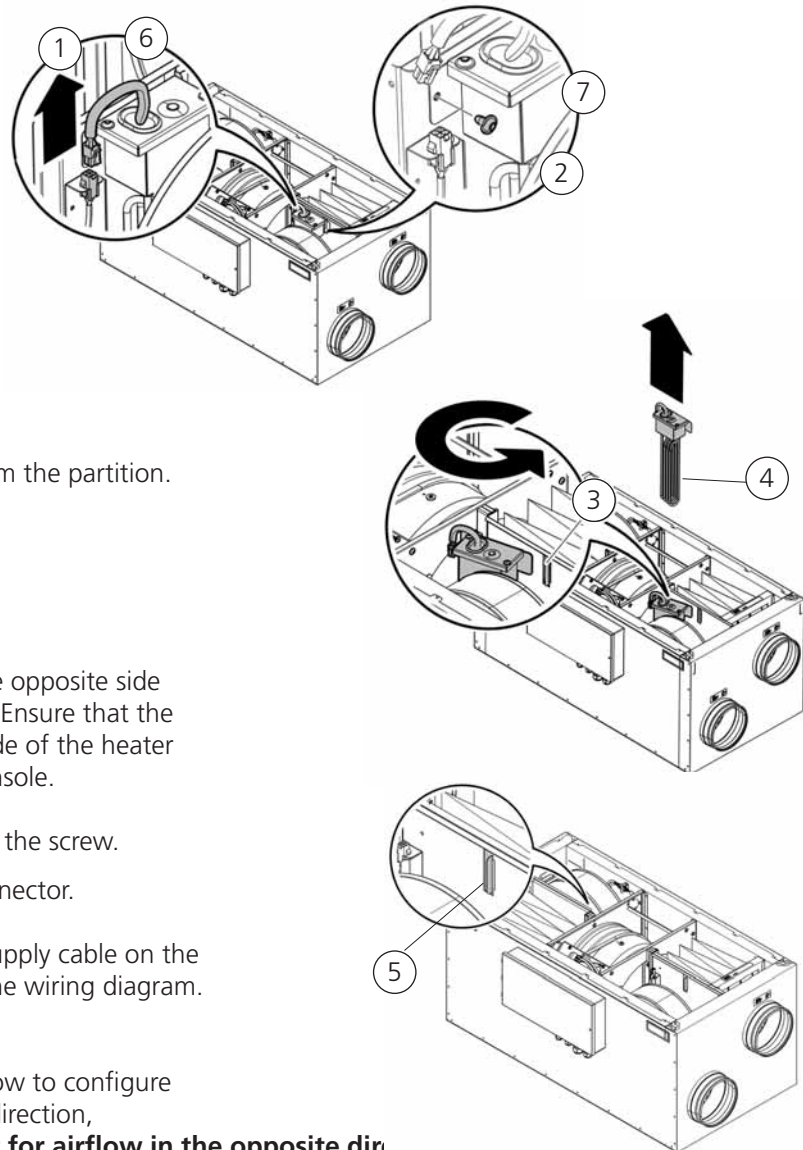
Preparations:

Tool

- Torx T25 screwdriver

No preparations are required.

- 1 Disconnect the quick connector.
- 2 Unscrew the screw.
- 3 Remove the heater from the partition.
- 4 Lift out the heater.
- 5 Move the heater to the opposite side on the other partition. Ensure that the bracket on the right side of the heater is positioned in the console.
- 6 Secure the heater with the screw.
- 7 Connect the quick connector.



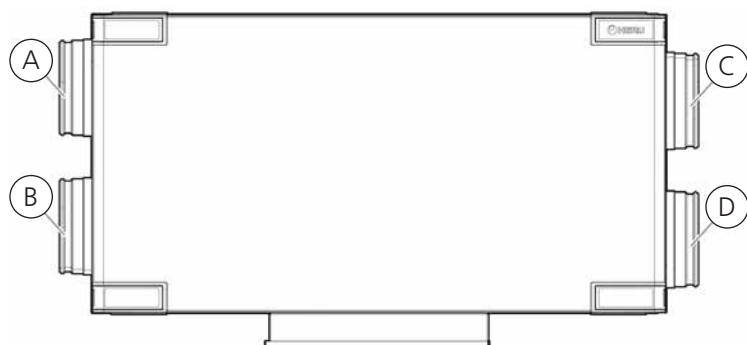
Move the heater's power supply cable on the control card according to the wiring diagram.

NOTE!

For more information on how to configure the unit for opposite flow direction, see **5.3 Adapting the unit for airflow in the opposite dir**

The duct connections in opposite flow direction.

- A Supply air
- B Extract air
- C Fresh air
- D Exhaust air



Change the labels for flow direction on the HERU S unit to four new labels from the accessory box. Place them according to the figure for opposite flow direction.

3.4.4 Mounting the parts after installing HERU S

Preparations:

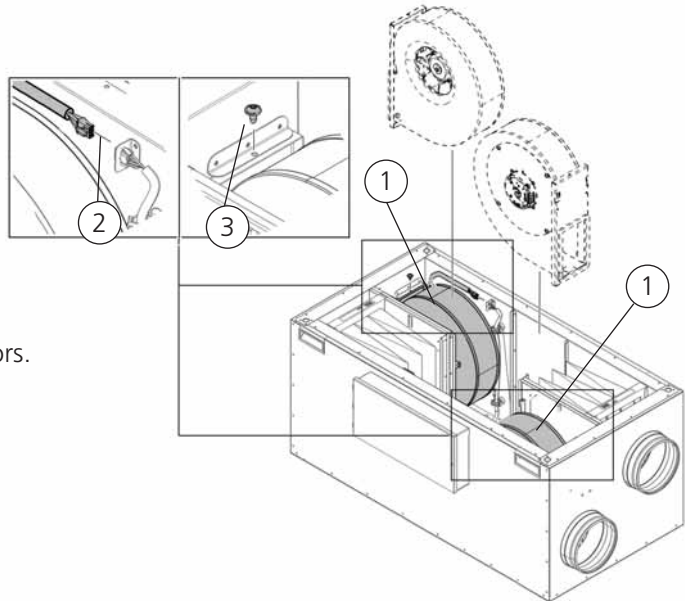
Tool

- Torx T25 screwdriver

No preparations are required.

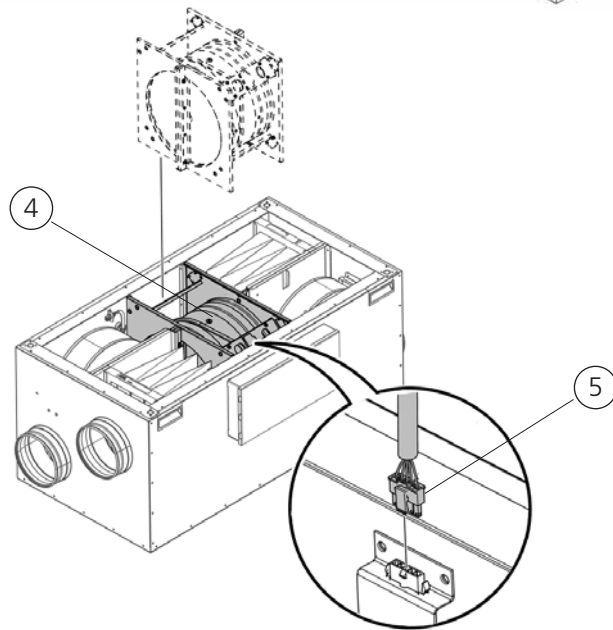
Mount the fans.

- ① Insert the fans.
- ② Screw in the fans with the Torx T25 screws.
- ③ Connect the fans' quick connectors.



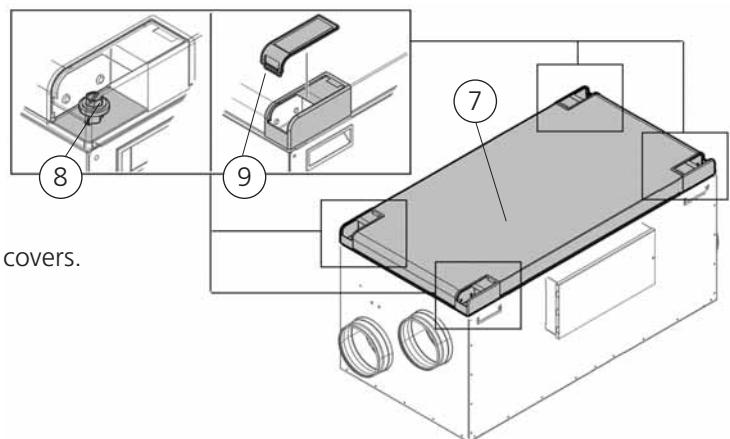
Mount the rotor cassette.

- ④ Insert the rotor cassette.
- ⑤ Connect the rotor cassette's quick connector.



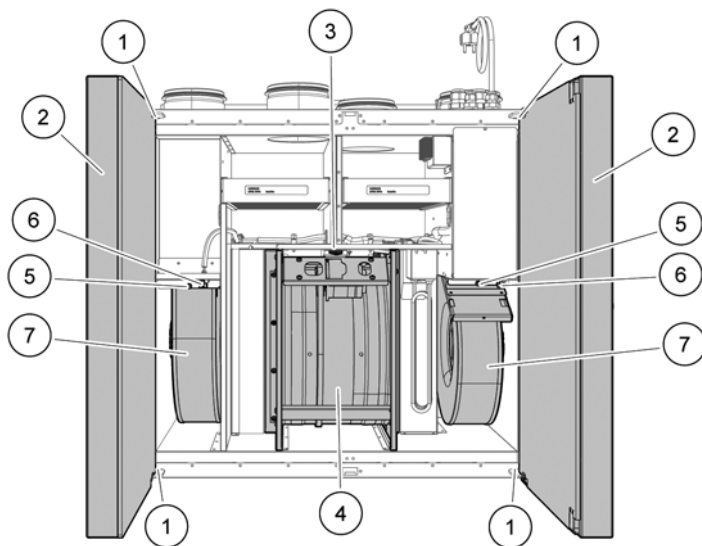
Mount the lid.

- ⑦ Place the lid on the unit.
- ⑧ Tighten the screws clockwise.
- ⑨ Click in the four plastic corner covers.



3.5 HERU T

3.5.1 Dismounting the unit to reduce the weight when installing HERU T



Method for dismounting unit

- ① Upper and lower door screw
- ② The unit's doors
- ③ The rotor cassette's quick connector
- ④ Rotor cassette
- ⑤ Torx T25 screw
- ⑥ Quick connector
- ⑦ Fans

Preparations:

Tool

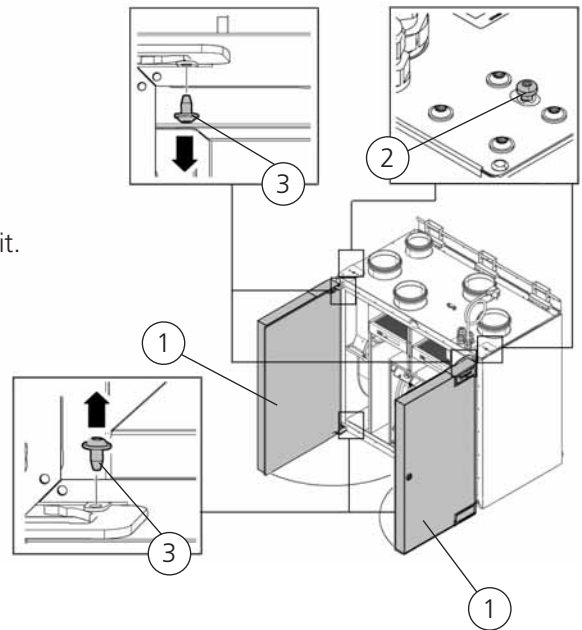
- Torx T25 screwdriver
- Flat-blade screwdriver
- Hex key 4 mm with ball end

No preparations are required.

Dismount the unit's doors

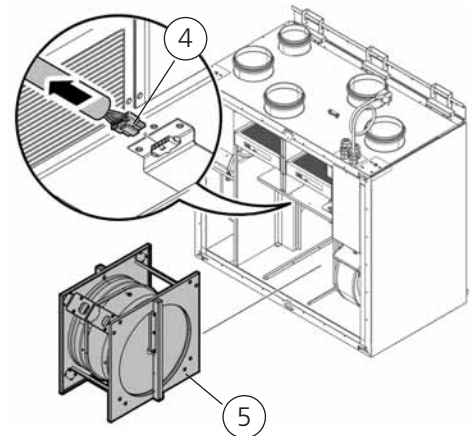
- ① Open the doors.
- ② Unscrew the screws.
- ③ Hold the door and remove the upper and lower screws.

Pull the door outwards to release it from the unit.



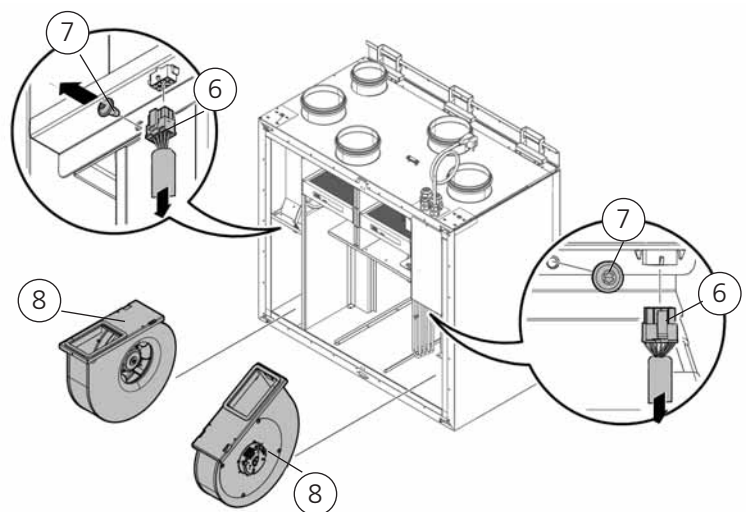
Remove the rotor cassette.

- ④ Remove the rotor cassette's quick connector.
- ⑤ Pull out the rotor cassette.



Remove the fans.

- ⑥ Remove the quick connectors for the fans.
- ⑦ Unscrew the Torx T25 screws on the fans.
- ⑧ Pull out the fans.



3.5.2 Installation HERU T

Preparations:

- The mounting distance, see **3.2 Mounting distance**, must be followed.
 - HERU T must be mounted in a warm space.
 - Local regulations for siting, access and electrical connections must be followed when installing HERU T.
 - The dimensioned airflow should not exceed 75% of the unit's maximum capacity.
 - When installing in warm and moist places, for example a bathroom or utility room, condensation may occur on the outside of the unit at low outdoor temperatures. If the unit is installed in cold weather and cannot immediately be put into use, the ducts must be plugged again otherwise there is a risk of condensation.
 - If there are major differences between ambient temperature and the temperature in the ducts for the supply and extract air, these must be insulated to prevent condensation.
 - The ducts for fresh air and exhaust air must always be insulated against condensation.
 - The ducts must be insulated all the way up to the unit.
- No other preparations are required.

Tool

- Spirit level
- Screwdriver Torx T25

Material - wall mounted HERU 100 and 160 T

- Fastener that is suitable for the construction and condition of the wall
- Pipe clip or flange with surrounding insulation

Material - floor standing HERU 160 T

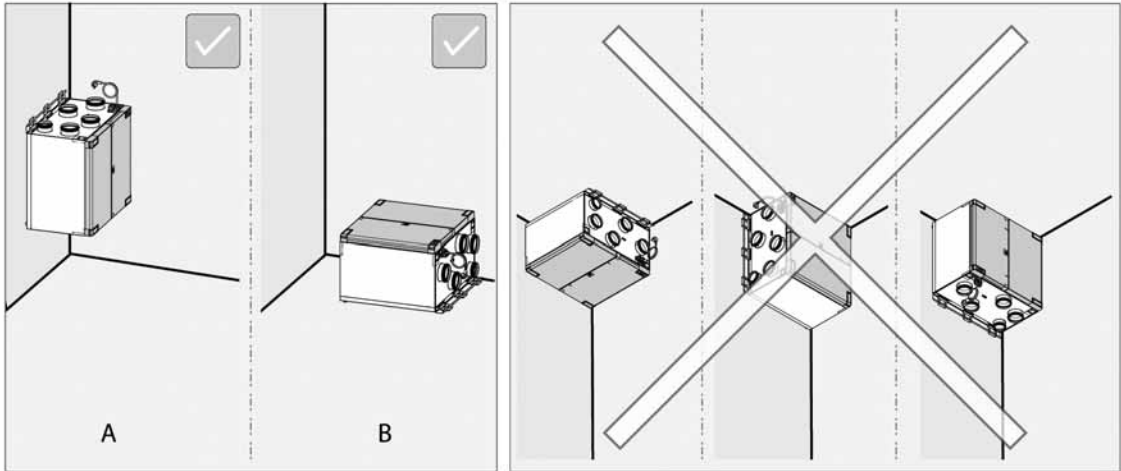
- Floor stand (available as accessory)
- Pipe clip or flange with surrounding insulation

Material - floor standing HERU 200 and 300 T

- Pipe clip or flange with surrounding insulation

Wall mounted HERU 100 and 160 T

1. Install HERU T with the duct connections upwards (A) or to the side with the doors upwards (B).



WARNING!

Do not install the unit with the duct connections or the doors down toward the ground due to the risk of injury.



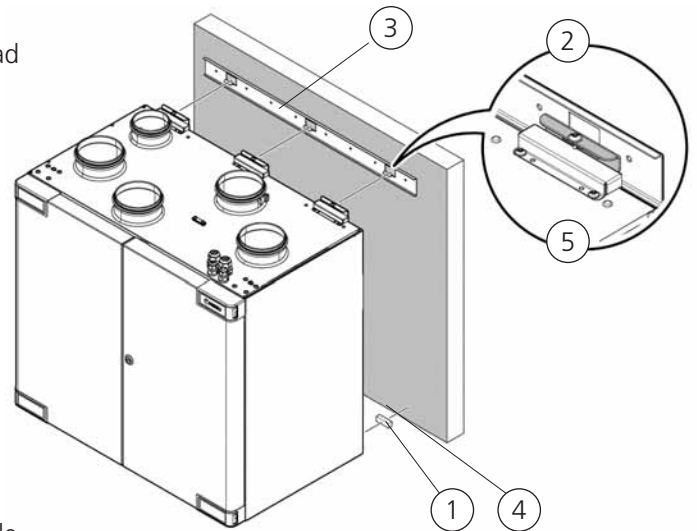
CAUTION

The unit must be mounted on an insulated wall. Avoid walls to bedrooms.

NOTE!

Ensure that there is space for service and maintenance. See **3.2 Mounting distance**.

- ① Secure the self-adhesive rubber pads in the rear lower corner with one rubber pad in each lower corner (HERU T 100, 160) and one in the middle (HERU 160 T).
- ② Remove the screws (3 for HERU 100 T, 4 for HERU 160 T) and remove the wall console from the HERU unit.
- ③ Secure the wall console horizontally on the insulated wall with the correct number and type of fastener. The screw hole in the wall console must be positioned 27 mm above the top of the unit.



2. Angle the lower section of the unit away from the wall, suspend the unit on the console and allow the unit's lower section to fall back against the wall.
3. Adjust the unit sideways to achieve the correct position.
 - ④ Ensure that the self-adhesive rubber pads have good contact with the wall.
 - ⑤ Secure the unit on the wall console with the accompanying screws (3 screws for HERU 100 T and 4 screws for HERU 160 T).

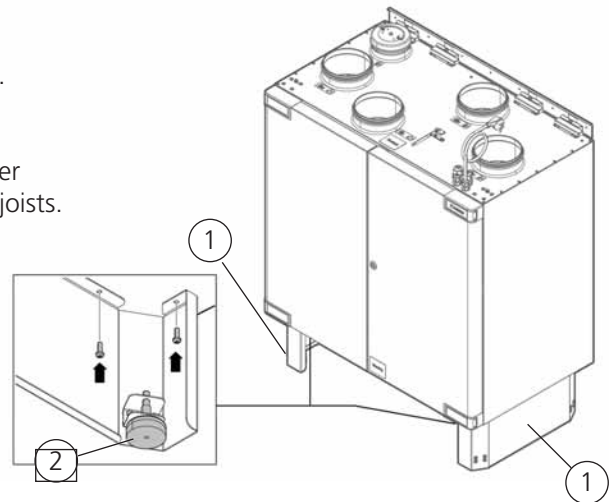
Floor standing HERU 160 T with floor stand as an accessory**NOTE!**

The base for the unit must be level and stable.

NOTE!

The Novibra mat accessory can be placed under the feet to minimise vibrations from the floor joists.

- ① Mount the floor stand with accompanying screws.
- ② Ensure that the unit is level in both the x and y axes.
Use a spirit level.
Adjust the feet if required.

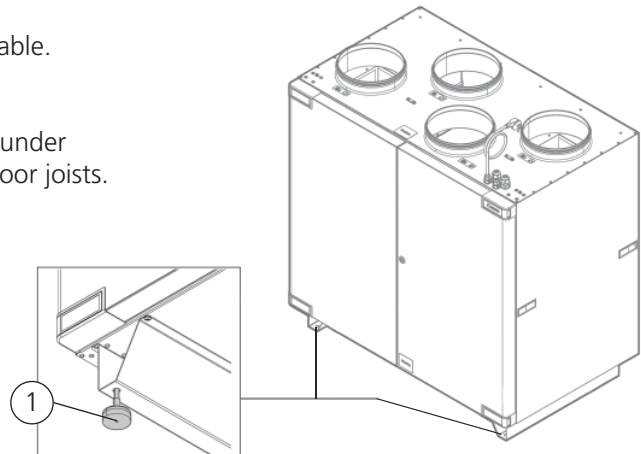
**Floor standing HERU 200 and 300 T with floor stand included****NOTE!**

The base for the unit must be level and stable.

NOTE!

The Novibra mat accessory can be placed under the feet to minimise vibrations from the floor joists.

- ① Ensure that the unit is level in both the x and y axes.
Use a spirit level.
Adjust the feet if required.



Cooker hood

HERU 100 and 160 T are equipped with a cooker hood connection as standard, where the air from the cooker hood does not pass through a filter or the rotating heat exchanger. When activating the cooker hood, the HERU unit's pre-set boost mode is started and creates extraction from the cooker hood.

The cooker hood must be:

- equipped with a damper. The cooker hood does NOT have an integrated fan.
- connected into the unit via a dual-core, 0.75 mm² cable.
- equipped with a voltage free contact that completes the circuit when the cooker hood is activated.

If a cooker hood is to be connected to the system, the insulated cover must be dismantled from the cooker hood connection, and a duct from the cooker hood mounted instead.



WARNING!

Ensure that the installation fulfils local and national fire safety requirements.



CAUTION!

A cooker hood connected to HERU T must not have an integrated fan.



CAUTION!

A cooker hood must NOT be connected to HERU 200 and 300 T.

1. Mount the cooker hood according to the manufacturer's instructions.
2. Pull the dual-core cable from the cooker hood in the HERU unit through one of the free cable bushings in the top of the unit.
3. Connect the cooker hood to the system by dismantling the insulated cover of the connection.
4. Mount a duct from the cooker hood on the unit's duct connection, labeled with cooker hood.
5. Unscrew the nut on the cable bushing and remove one of the bushing's plugs.
6. Pull through a suitable length of cable to connect the control card.
7. Pull out the detachable block at position D2 and connect the cable from the cooker hood to this.
8. Then press back the block into position D2.

No further actions are required.

Connect the ducts to the unit.

1. Use a pipe clip or flange with surrounding insulation.



CAUTION!

Ensure that the ducts are coupled in the correct position on the HERU unit.


2. Attach the antenna in a suitable place on the side of the unit. Secure the antenna as centrally as possible to maximise the signal in the entire building. An extension cord is available as an accessory, if required

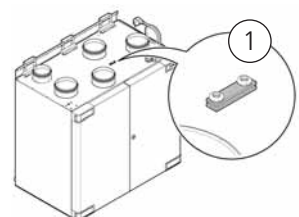


CAUTION!

The antenna must not be secured against a metal surface or object, as this blocks the signal.

3. If a heating coil is connected, a spring-return damper must be mounted in the ducts for fresh air and exhaust air. This reduces the risk of freezing when the unit is not in use.

4.  Connect the ducts to the external ground point on the unit.



3.5.3 Mounting the parts after installing HERU T

Preparations:

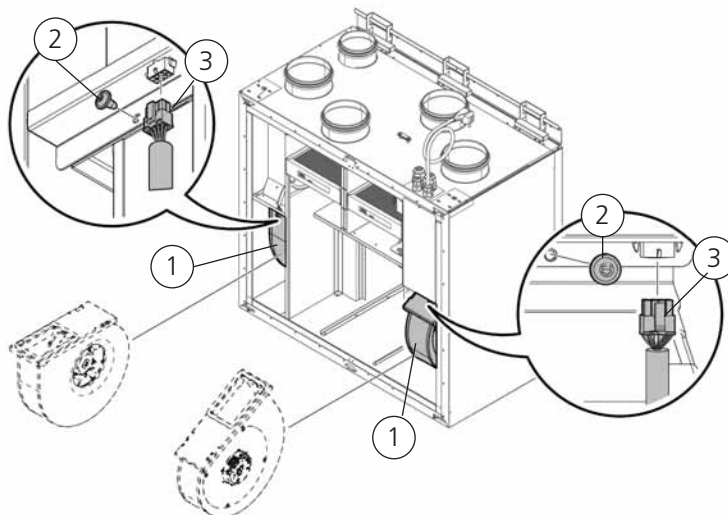
No other preparations are required.

Tool

- Torx T25 screwdriver
- Hex key 4 mm with ball end

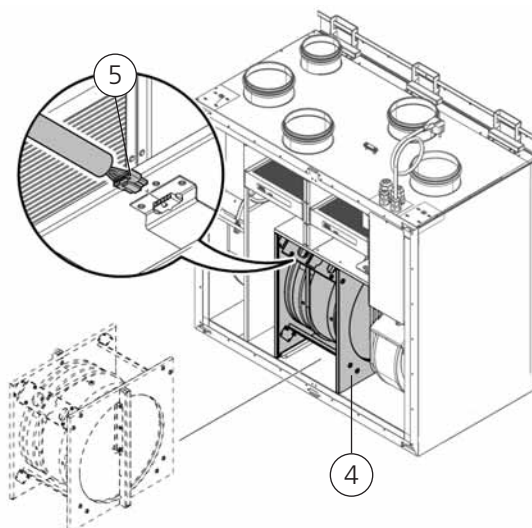
Mount the fans.

- ① Insert the fans.
- ② Screw tight the Torx T25 screws on fans.
- ③ Connect the fans' quick connectors.



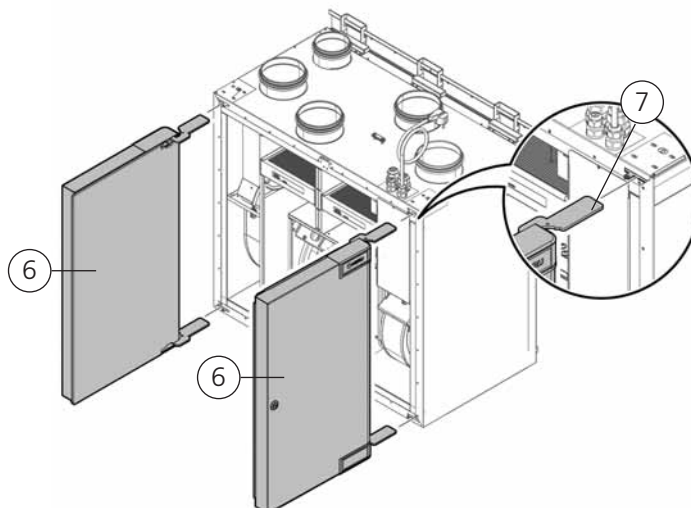
Mount the rotor cassette.

- ④ Slide in the rotor cassette in the unit.
- ⑤ Connect the rotor cassette's quick connector.



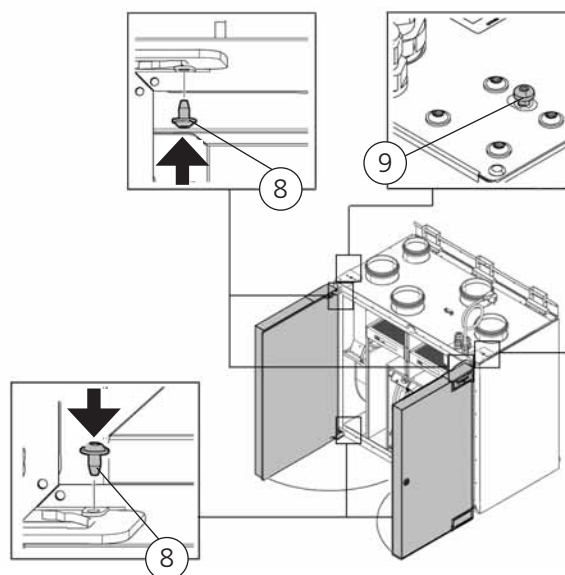
Mount the doors.

- ⑥ Secure the doors on the unit.
- ⑦ Press in the door hinges into the hinge brackets.



- ⑧ Hold the doors, and screw in the upper and lower screws.
- ⑨ Then screw the locking screws.

Close the doors.



3.6 Connecting the unit to the power source

**WARNING!**

The unit must always be equipped with a type A or B, 30 mA residual current device (RCD). Units without plugs must be installed with a safety switch, which must be mounted close by.

**WARNING!**

Units with plugs must be fused with a C10 A fuse.

**WARNING!**

Units without plugs must be fused with a 2x10 A fuse together with a 2,5 mm² conductor.

**WARNING!**

All electrical installations must be performed by a qualified electrician.

**WARNING!**

The safety switch must not be used for normal starting and stopping of the unit. Use the accompanying wireless display.

**WARNING!**

Check that the power cable is not damaged during mounting and installation.

**WARNING!**

All operations on the unit and its peripheral equipment must be performed in accordance with local laws and regulations.

**WARNING!**

Ensure that there are no loose parts inside the unit and that the doors are closed and locked before turning on the power.

Preparations:

No preparations are required.

1. If the unit has a plug, a C10 A fuse must be used.
2. If the unit does not have a plug, a 2x10A fuse together with a 2,5 mm² conductor must be used (heater and energy recovery unit).
3. Install a safety switch close to the unit.

NOTE!

The safety switch must not be used for normal starting and stopping of the unit. Use the accompanying wireless display

3.7 Connecting Modbus to external control equipment

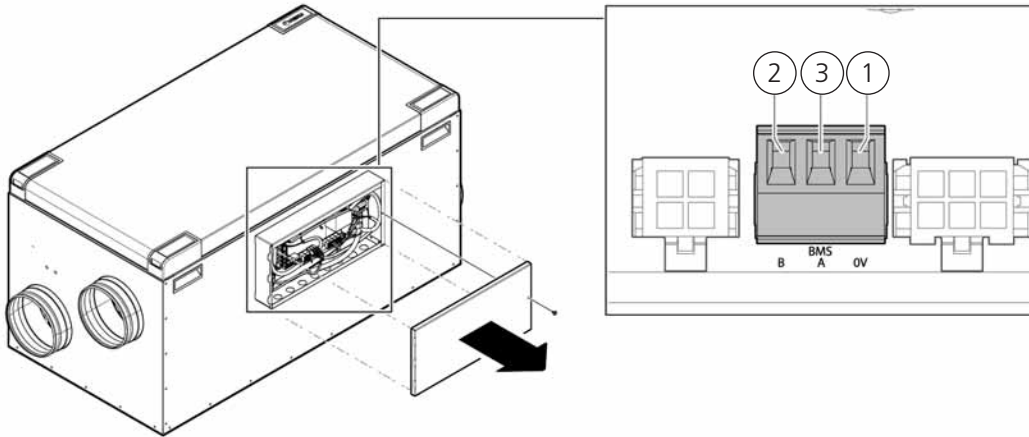
Preparations:

- The external control equipment must support Modbus RTU data protocol, which is used for RS485 in order to communicate with the unit.

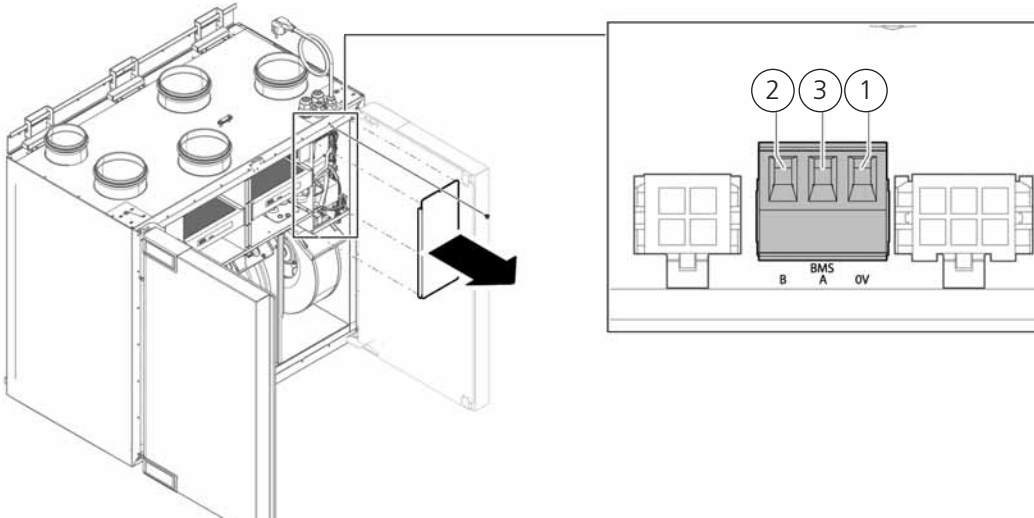
Tool

- Torx T 25 screwdriver
- Flat-blade screwdriver (only HERU T)

Connecting Modbus to HERU S:



Connecting Modbus to HERU T:



- ① Anslut GND till 0.



AKTAS!

Om ingen ledare är ansluten till terminal 0 kan spänningspotential skada utrustningen.

- ② Connect Rx-/Tx- to B.
- ③ Connect Rx+/Tx+ to A.

NOTE!

For more information on how to configure Modbus via the wireless display, see **5.4 Configuring the unit for Modbus**.

4 Final routines

Preparations:

No preparations are required.

1. Ensure that there are no loose parts inside the unit and that the lid/doors of the unit are closed and locked.
2. Ensure that the product is operating and no alarm is active.
3. If possible, save a security copy of the settings.
4. If possible, connect the software applications and disconnect the terminal.
5. Pick up all the tools.
6. Notify relevant persons that the work is complete.
7. Follow the routines for returning and disposing of replaced parts and packaging material.

5 Commissioning



WARNING!

The unit's ducts must be connected, covers/doors closed and the screws tightened before the unit is started to avoid the risk of personal injury from rotating parts.



WARNING!

Filters must be installed before the unit is used.

For information on the service menu see **7 Select Menu overview**.

For information on active view in the wireless display, press the **i-button** in the display's status bar.

5.1 Starting the HERU unit for the first time

Preparations:

No preparations are required.

1. Power the HERU unit.
 - If the unit has a plug, connect it to a socket.
 - If the unit does not have a plug, turn on the power with the safety switch.
2. Wake up the display by connecting the accompanying charging cable to the display. Connect the charging cable via a 220V adapter to the wall socket.

NOTE!

The wireless display is paired upon delivery. If an extra display is desired, this must be paired. See manual Operation and maintenance, **4.2 Pairing units**.

3. The display synchronises. Once this is ready, press the **HERU symbol** in the display.
4. Press "**Start unit**". Then the unit starts for the first time using a start sequence that takes approximately 15 min.

NOTE!

The unit does not react to any command until the start sequence is finished

5. Once the start sequence is finished, the unit operates according to the preset values.
6. Check that the latest version of the firmware is installed.
 - Enter **Settings/About/Version** in the wireless display.
 - Compare the version against the most recently published version of firmware at <https://www.ostberg.com>.
 - If a new version of firmware is available, see the Operation and maintenance manual in the chapter **4.15 Update software in the ventilation unit**.

5.2 Configuring the unit

Preparations:

Go through the stage in the **Settings protocol** before configuration, see **10 Settings protocol for HERU S and HERU T**. After configuration, hand the protocol to the user for storage in safe place.

Prepare the configuration by having values for the following parameters to hand:

- Type of heater
- Desired control method
- Maximum limit for temperature reference value
- Temperature limits for supply air
- Heat retention temperature and limits for freeze protection
- For **Switch input contact function**: if normally open (NO) or normally closed (NC) for:
 - Fire alarm
 - Pump alarm
 - Boost
 - Overpressure
 - Extended operation
 - Away mode
 - Filter
- The switch's input signal types for **forBoost**, **Away** and **Extended operation**.
- **Alarm class**: A or B.
- **Warnings alarm relay**: on/off.
- **Flow direction**
- **Standard fan speed** for **Supply air** and **Extract air**
- **Minimum fan speed** for **Supply air** and **Extract air**
- **Maximum fan speed** for **Supply air** and **Extract air**
- **Filter control: Timer**

1. Open the main menu, select **Service**.
2. Log in. Enter code 1991.
3. Select **Guide**.
4. Click **OK** in the dialogue box that is displayed.
5. Follow the guide to set all settings.
6. Click on the button **Finished**.
7. Return to the main menu. Click on the arrow in the bottom left corner or on the main menu button in the upper left corner.
8. Return to the start screen. Click on **x** in the upper left corner.

5.3 Adapting the unit for airflow in the opposite direction

Preparations:

- HERU S only: The electric heater must be mounted for flow in the opposite direction. No other preparations are required.

1. Open the main menu, select **Service**.
2. Log in. Enter code 1991.
3. Select **Fan regulation**.
4. Click **OK** in the dialogue box that is displayed.
5. In the alternative **Flow** select **Opposite**.
6. Return to the main menu. Click on the arrow in the bottom left corner or on the main menu button in the upper left corner.
7. Return to the start screen. Click on **x** in the upper left corner.

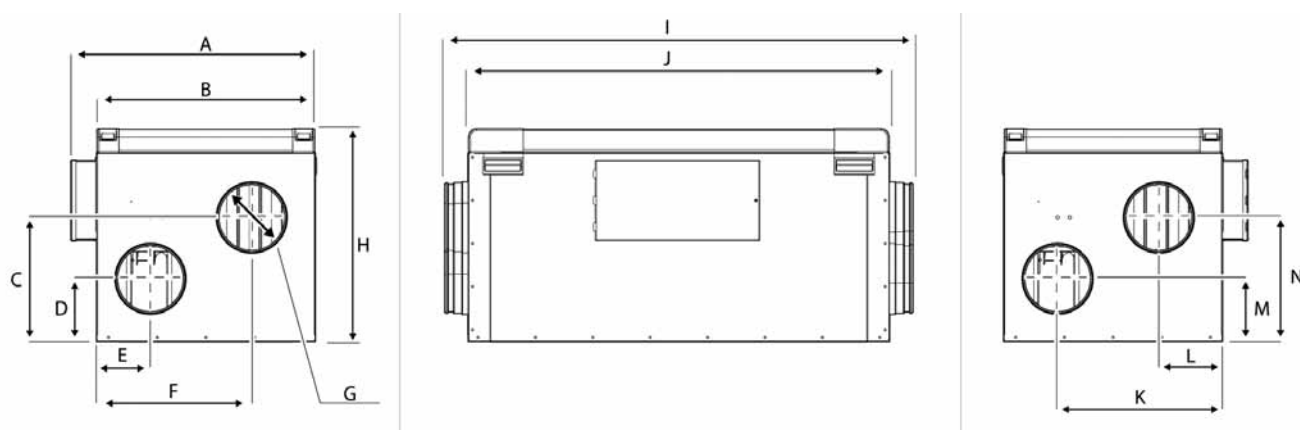
5.4 Configuring the unit for Modbus

Preparations:

- ID and baud rate must correspond to the customer's settings. No other preparations are required.

1. Download the complete Modbus register here: <https://www.ostberg.com>.
2. Open the main menu, select **Service**.
3. Log in. Enter code 1991.
4. Select **Communication**.
5. In the alternative **Modbus** enter the following values:
 - Address
 - Baud
 - Stopbit
 - Parity
6. Return to the main menu. Click on the arrow in the bottom left corner or on the main menu button in the upper left corner.
7. Return to the start screen. Click on **x** in the upper left corner.

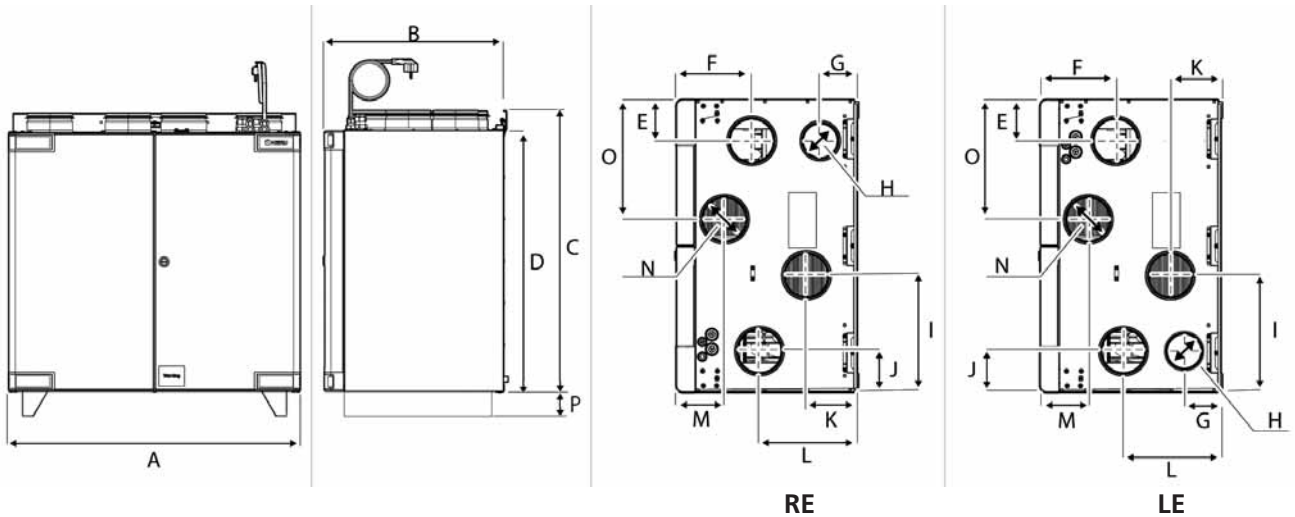
6 Technical data



HERU S

	HERU 100 S EC	HERU 160 S EC	HERU 200 S EC	HERU 300 S EC
Total power (W)	1420	2020	2620	2930
Weight (kg)	60	80	96	99
Dimensions (mm)				
A	562	631	740	740
B	507	574	683	683
C	285	346	497	497
D	145	176	199	199
E	124	152	182	182
F	357	405	494	494
G	Ø 160 (4x)	Ø 200 (4x)	Ø 250 (4x)	Ø 250 (4x)
H	488	570	679	679
I	1075	1236	1352	1352
J	969	1131	1250	1250
K	379	418	498	498
L	146	165	186	186
M	145	176	199	199
N	285	346	497	497

For further technical data, see <https://www.ostberg.com>.

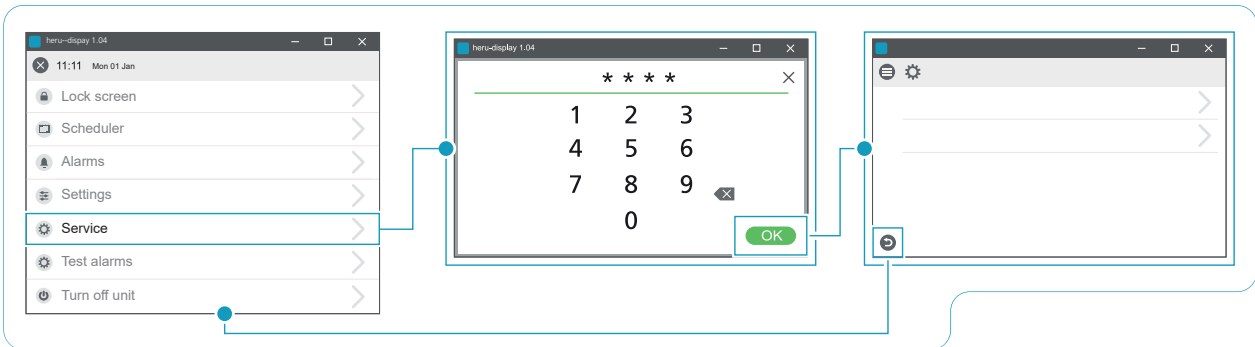


HERU T

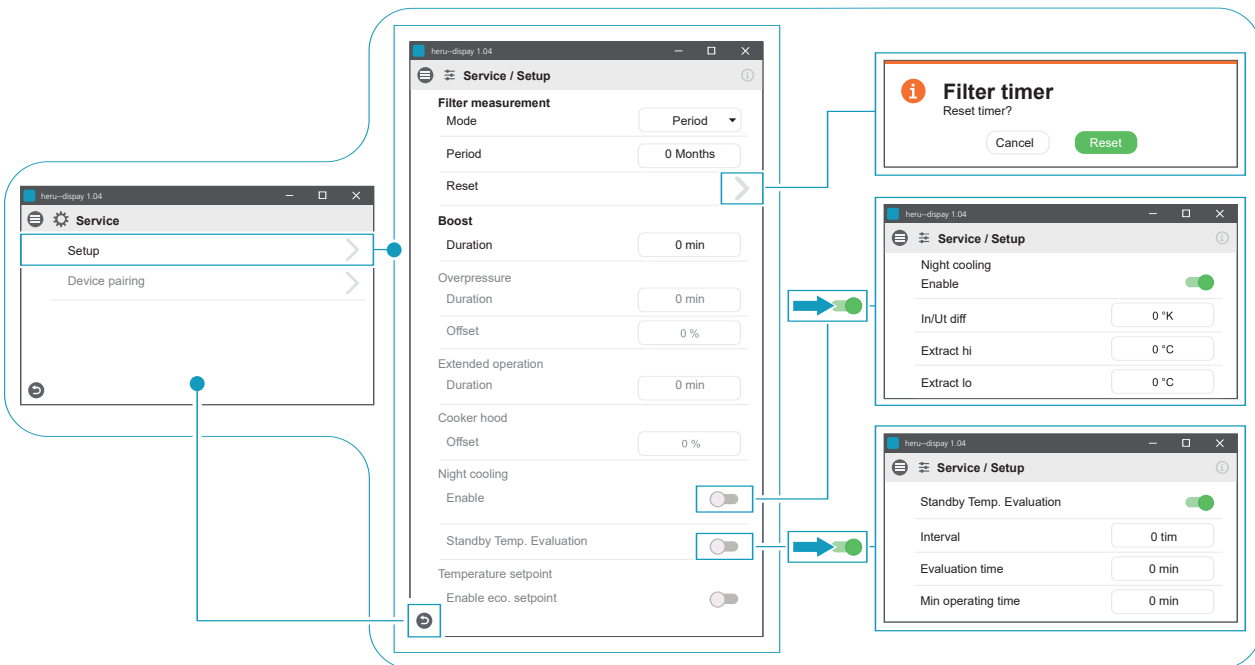
	HERU 100 T EC	HERU 160 T EC	HERU 200 T EC	HERU 300 T EC
Total power (W)	1420	2020	2620	2930
Weight (kg)	70	98	135	138
Dimensions (mm)				
A	796	942	1124	1124
B	492	559	682	682
C	759	919	1135	1135
D	705	865	1082	1082
E	113	132	177	177
F	204	249	255	255
G	101	113	–	–
H	Ø 100 (1x)	Ø125 (1x)	–	–
I	318	370	442	442
J	112	130	174	174
K	138	138	474	474
L	265	310	250	250
M	130	149	479	479
N	Ø 125 (4x)	Ø 160 (4x)	Ø 250 (4x)	Ø 250 (4x)
O	326	372	446	446
P	–	–	100	100

For further technical data, see <https://www.ostberg.com>.

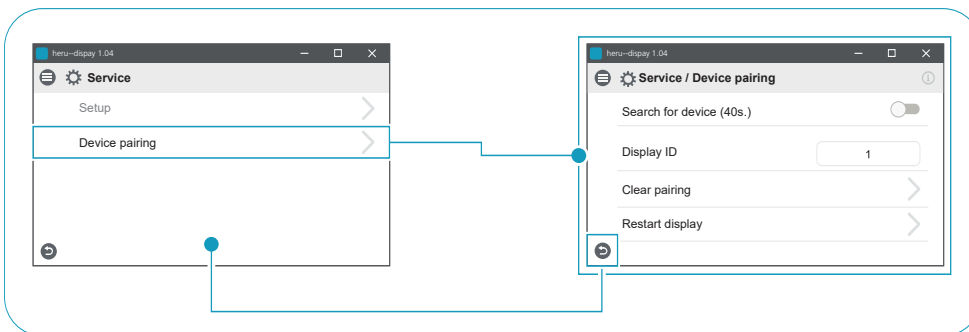
7 Select Menu overview



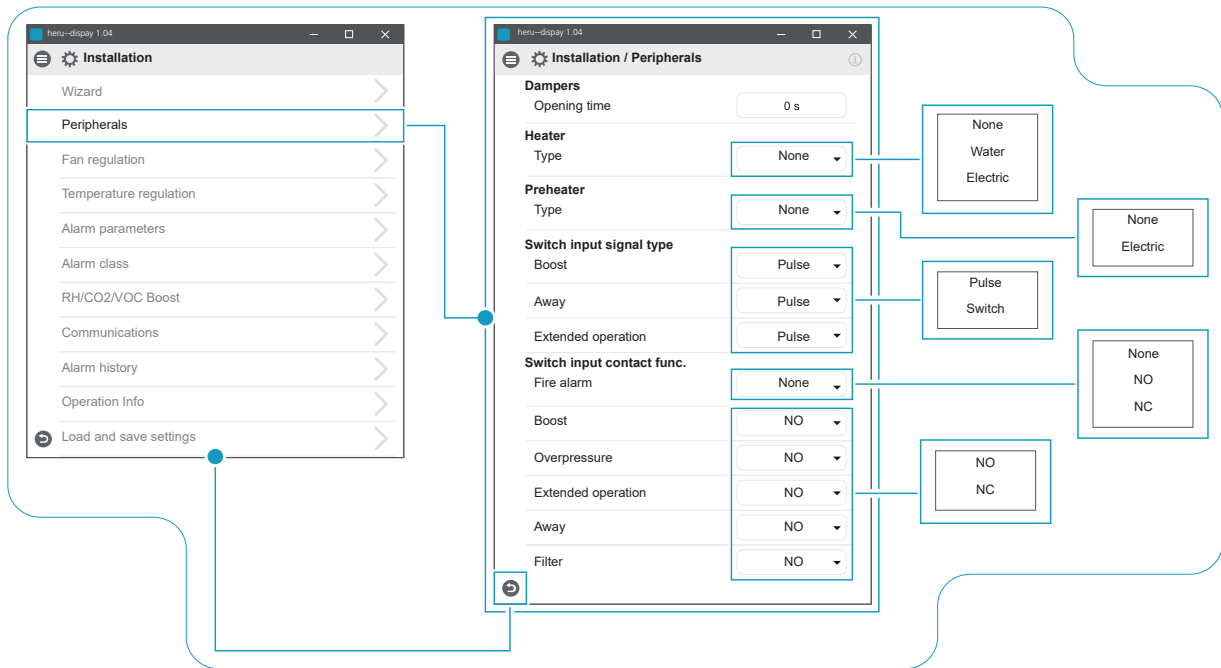
Service > Password > Service



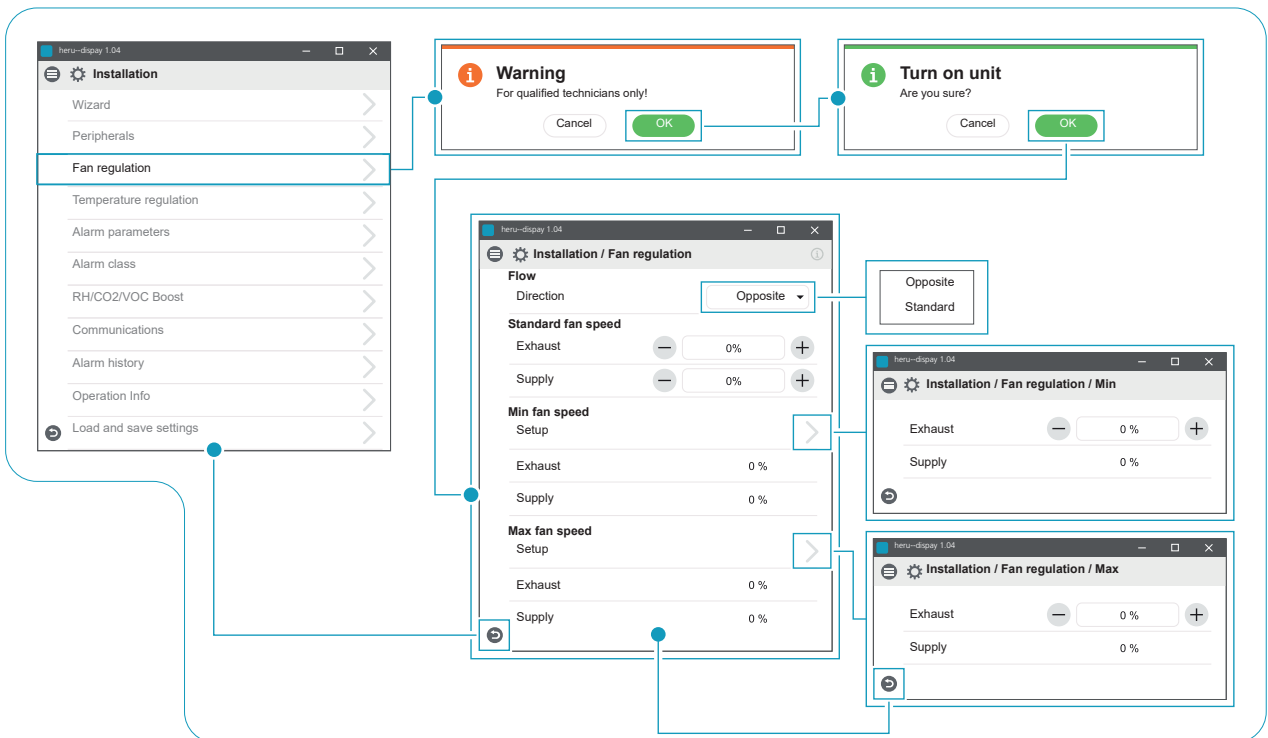
Service > Setup



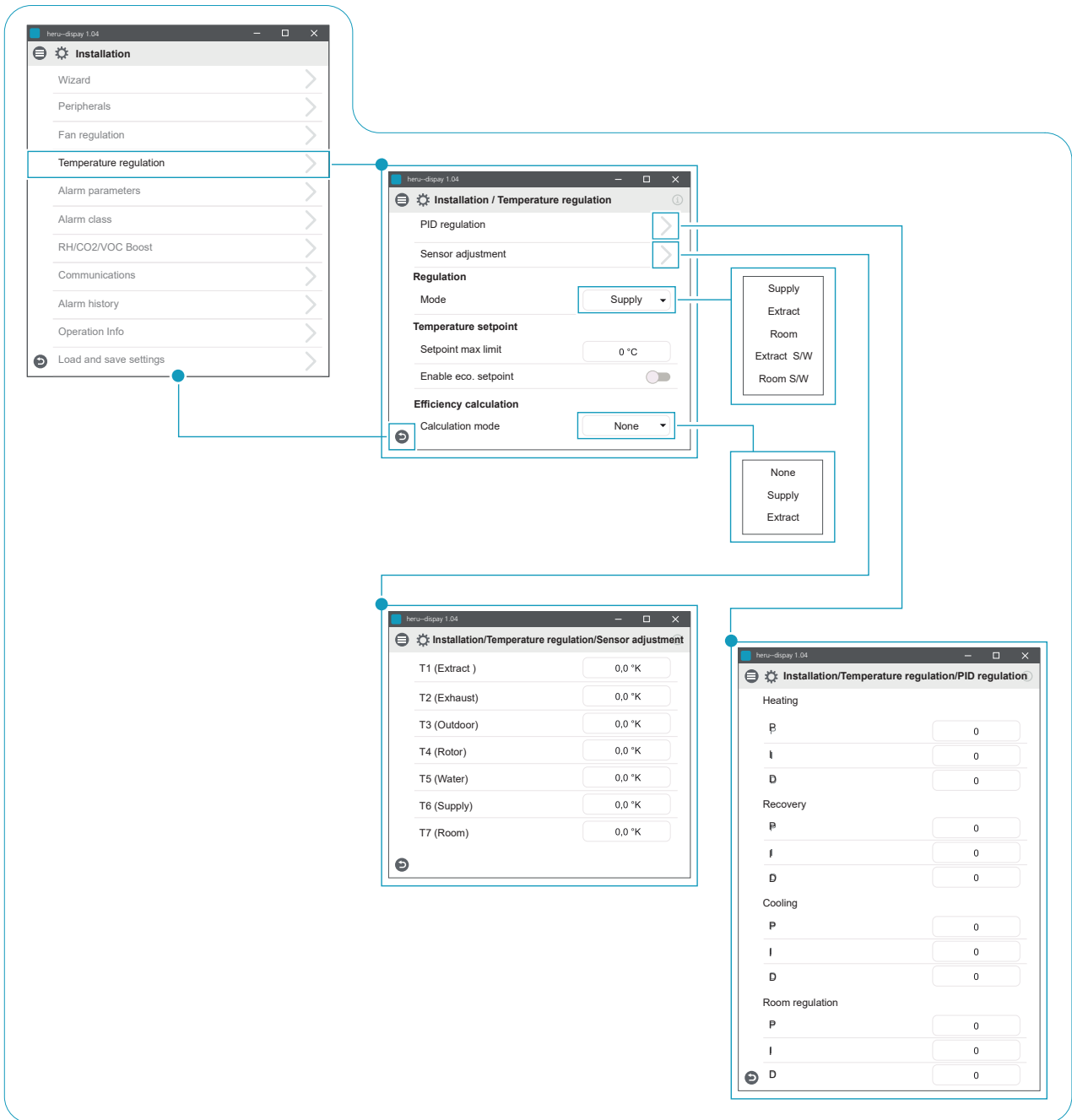
Service > Device pairing



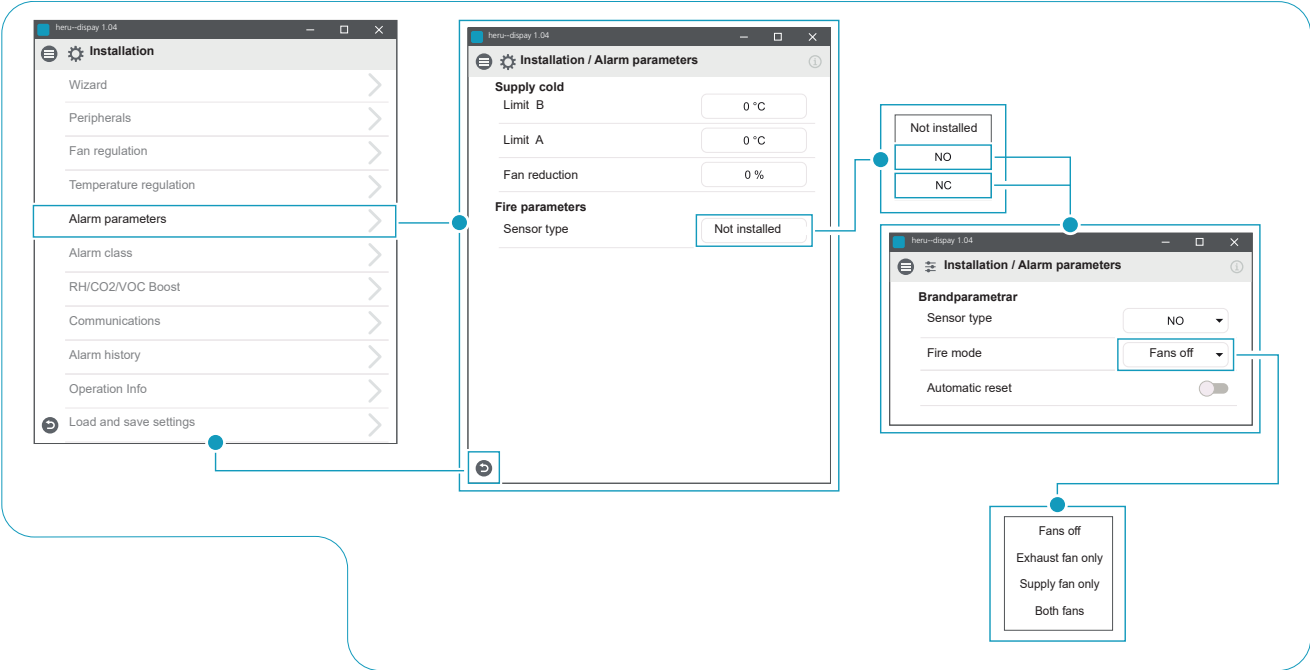
Installation > Installation / Peripherals



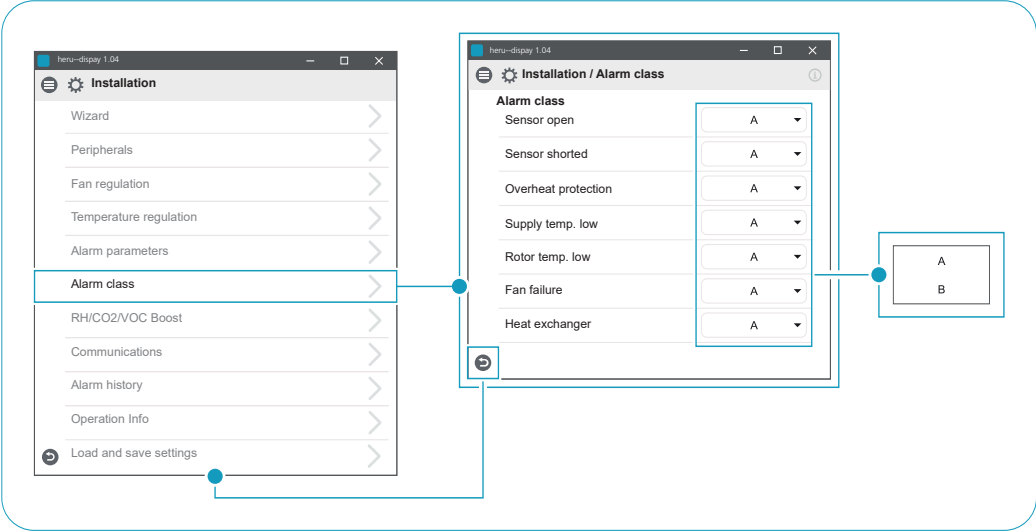
Installation > Installation / Fan regulation



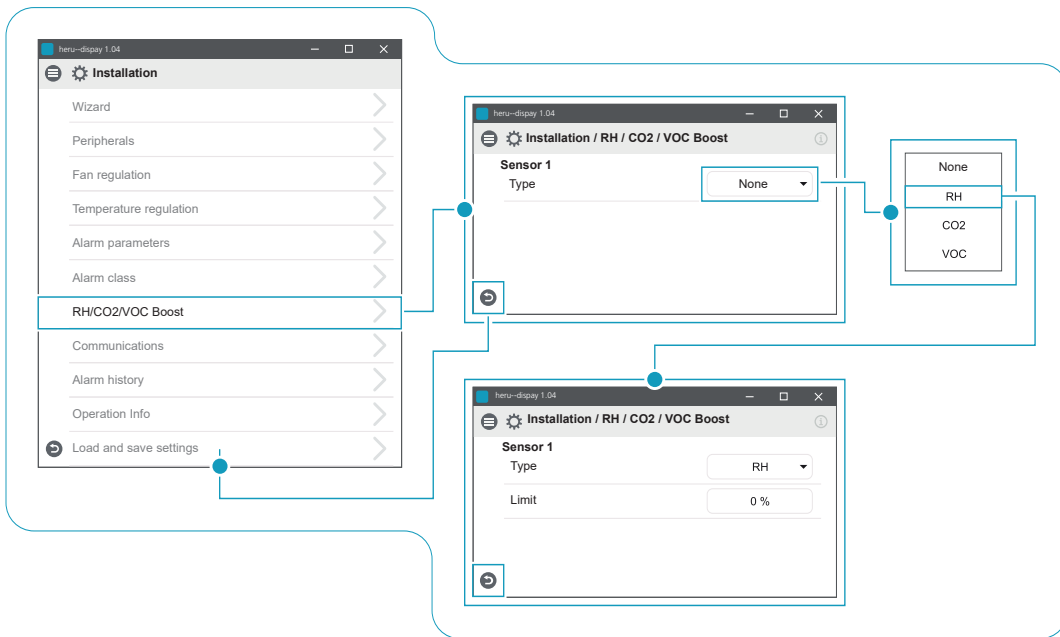
Installation > Installation / Temperature regulation



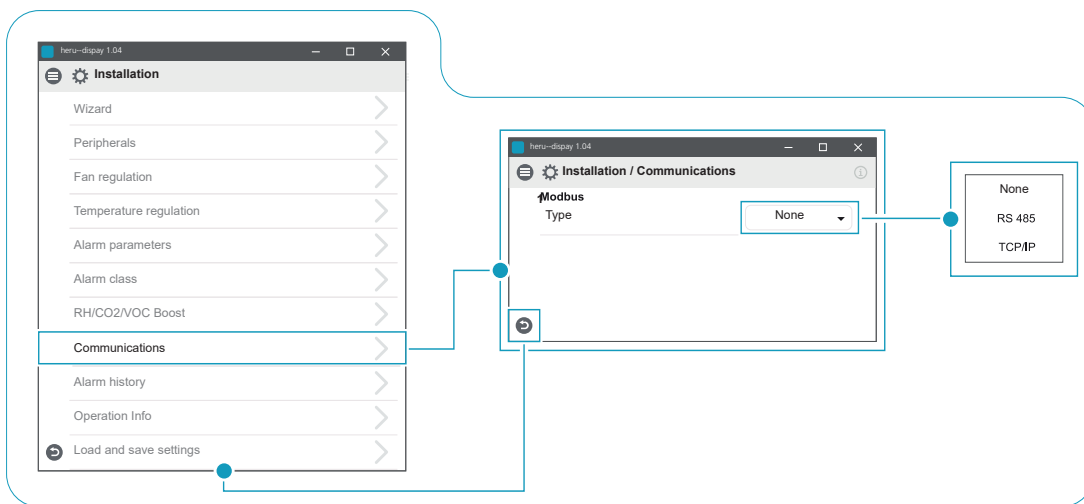
Installation > Installation/Alarm parameters



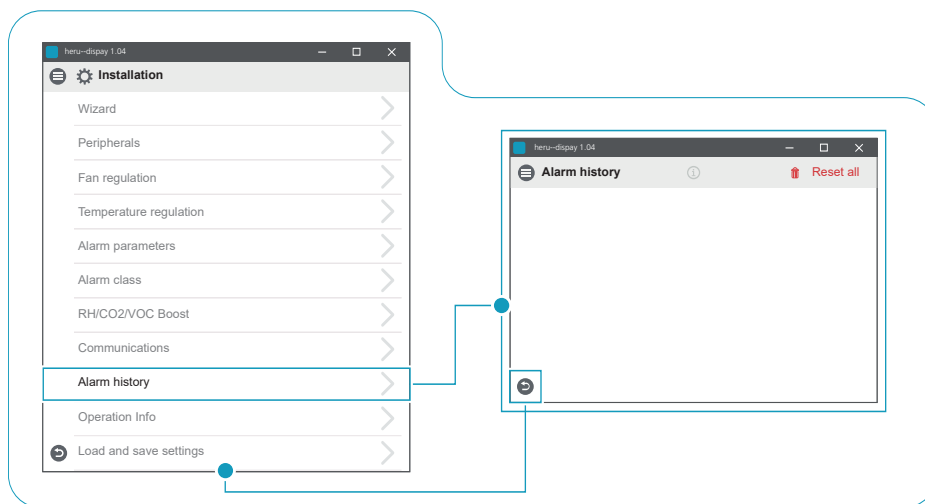
Installation > Installation / Alarm class



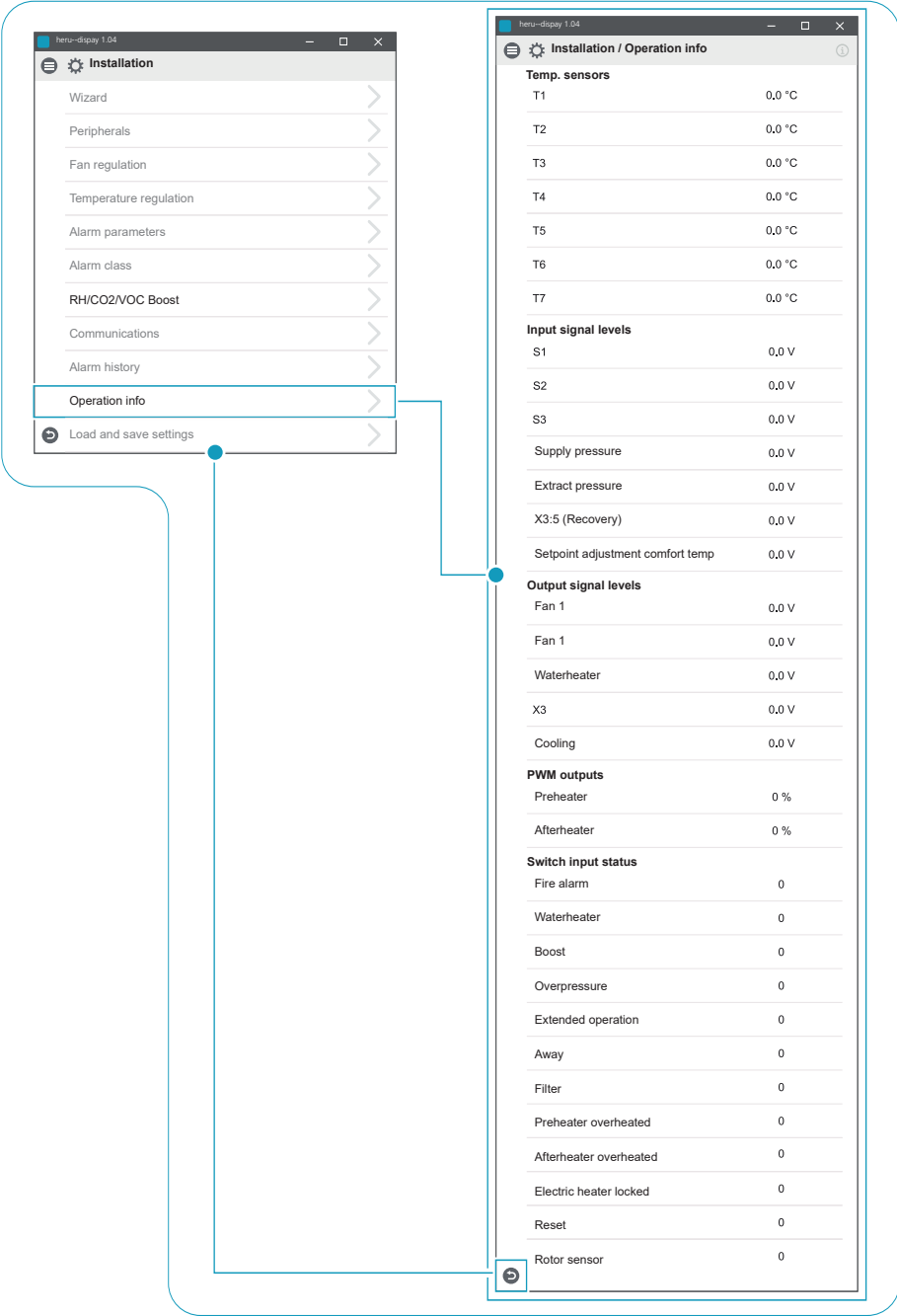
Installation > Installation/RH/CO2/VOC Boost



Installation > Installation/Communications

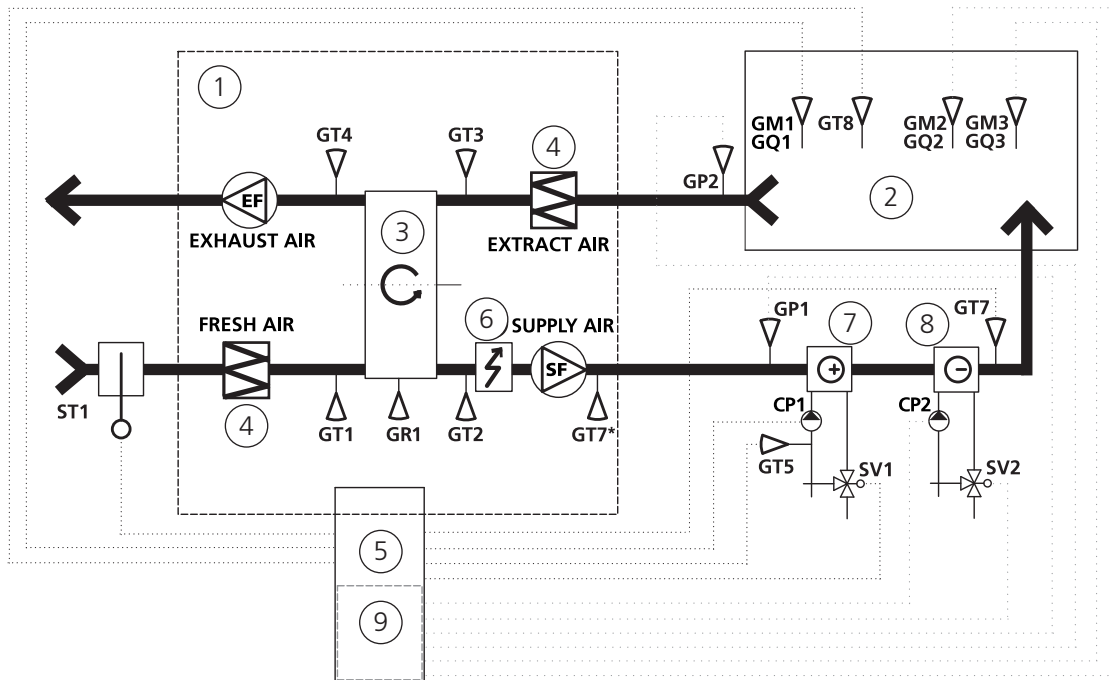


Installation > Installation/Alarm history



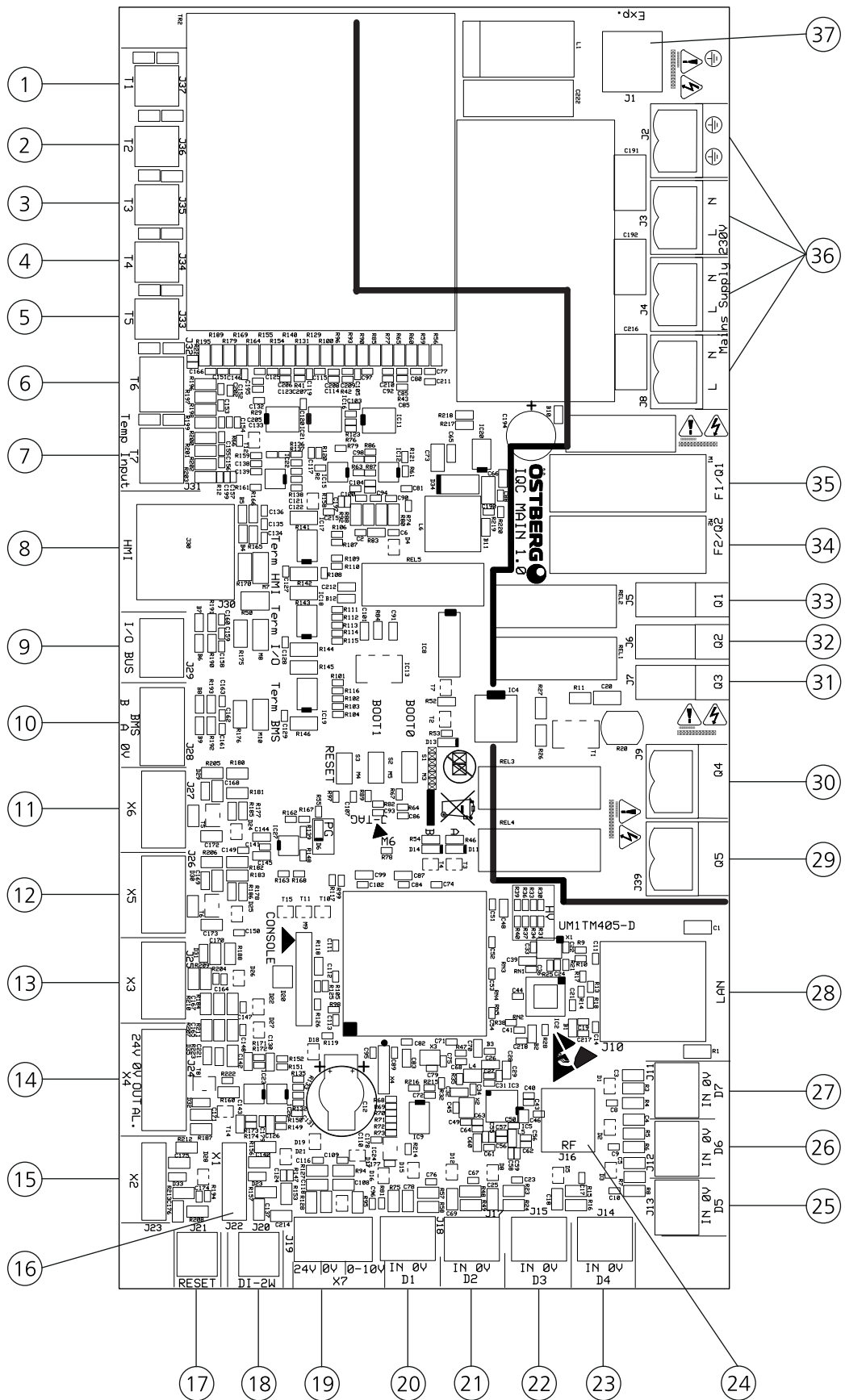
Installation > Installation/Operation info

8 Control diagram



- ① HERU unit
- ② Room
- ③ Rotating heat exchanger
- ④ Filter
- ⑤ Control central containing relay board
- ⑥ Electric heater
- ⑦ Heating coil
- ⑧ Cooling coil
- ⑨ Electric expansion board

9 Connections main board



Pos.	PCB label	Description
①	T1	Internal temperature sensor
②	T2	Internal temperature sensor
③	T3	Internal temperature sensor
④	T4	Internal temperature sensor
⑤	T5	Freeze protection sensor
⑥	T6	Supply duct sensor (GT7)
⑦	T7	Room sensor (GT8)
⑧	HMI	Display port RJ45 (black)
⑨	I/O Bus	I/O Bus
⑩	BMS	RS 485 Modbus (slave)
⑪	X6	Preheater control output
⑫	X5	Afterheater control output
⑬	X3	Recovery control output
⑭	X4	Heating coil Ctrl Output (Analog out 0-10V / 24VAC 1,5VA)
⑮	X2	Fan 2 control output
⑯	X1	Fan 1 control output
⑰	Reset	External Reset
⑱	DI-2W	Rotor sensor (HALL)
⑲	X7	RH/CO2/VOC (Analog input 0-10V / 24VAC 1,3VA)
⑳	D1	Fire alarm (Digital input (floating))
㉑	D2	Boost (Digital input (floating))
㉒	D3	Overpressure (Digital input (floating))
㉓	D4	Extended Operation (Digital input (floating))
㉔	RF	SMA antenna output
㉕	D5	Away (Digital input (floating))
㉖	D6	Filter alarm (Digital input (floating))
㉗	D7	Electric heater Interlock (Digital input (floating))
㉘	LAN	10/100 Mbit Ethernet RJ-45
㉙	Q5	
㉚	Q4	Damper (Digital relay output (NO))
㉛	Q3	Triac (Digital relay output (NO))
㉜	Q2	Fan 2 Power (Digital relay output (NO))
㉝	Q1	Fan 1 Power (Digital relay output (NO))
㉞	F2/Q2	Glass fuse T2.5A 5x20 L250V Fan 2
㉟	F1/Q1	Glass fuse T2.5A 5x20 L250V Fan 1
㊱	L/N	Main supply 230V
	L/N	Main supply 230V
	L/N	Main supply 230V
	PE	Main supply 230V
㊲	Exp.	Power to Expansion board

10 Configuration protocol

Fill in all settings for future use.

Peripherals

Dampers

Opening time: sec

Heater

None Water

Standby temp. °C

Limit B: °C

Limit A: °C

Electric Aftercooling

Preheater

None Electric

Limit: °C

Cooling coil

Yes No

Switch input

Signal type:

Boost Pulse Switch

Away Pulse Switch

Extended operation Pulse Switch

Switch input contact func:

Fire alarm None NO NC

Boost NO NC

Overpressure NO NC

Extended operation NO NC

Away NO NC

Filter NO NC

Fan regulation

Flow direction: Standard Opposite

Standard fan speed:

Exhaust: % Reference: Pa

Supply: % Reference: Pa

Min fan speed:

Exhaust: % Reference: Pa

Supply: % Reference: Pa

Max fan speed:

Exhaust: % Reference: Pa

Supply: % Reference: Pa

Temperature regulation

Supply Extract Room

Supply limit min: °C

Supply limit max: °C

Extract S/W Room S/W

Changeover:

Temp.

Winter start: °C

Summer start: °C

Time constant: timmar

Supply temp. offset: K

Date

Winter start: (MM-DD)

Summer start: (MM-DD)

Supply temp. offset: K

Temperature setpoint

Supply Extract Room

Setpoint max limit: °C

Enable eco. setpoint Yes No

Alarm parameters

Supply cold:

Limit B: °C Limit A: °C

Fan reduction: %

Freeze protection Water

Temperature: %

Limit B: °C Limit A: °C

Fire parameters

Sensor type:
 Not installed NO NC

Fire mode:
 Fans off
 Exhaust fan only
 Supply fan only
 Both fans

Forced fan speed: %
 Automatic reset Yes No

Filter measuring

Timer
 Period:months

Scheduled.....
 Day: %
 Time: %

Signal
 Fan speed increase: %

Alarm class

Alarm priority:

Sensor open	<input type="checkbox"/> A	<input type="checkbox"/> B
Sensor shorted	<input type="checkbox"/> A	<input type="checkbox"/> B
Overheat protection	<input type="checkbox"/> A	<input type="checkbox"/> B
Supply temp. low	<input type="checkbox"/> A	<input type="checkbox"/> B
Rotor temp. low	<input type="checkbox"/> A	<input type="checkbox"/> B
Fan failure	<input type="checkbox"/> A	<input type="checkbox"/> B
Heat exchanger	<input type="checkbox"/> A	<input type="checkbox"/> B

RH/CO2/VOC Boost

Yes No

Sensor 1:
 None RH CO2 VOC

Limit: %
 Name/Loc:

Alarm relay indications

Fire alarm	<input type="checkbox"/>
Sensor open	<input type="checkbox"/>
Sensor shorted	<input type="checkbox"/>
Overheat protection	<input type="checkbox"/>
Freeze protection	<input type="checkbox"/>
Supply temp. low	<input type="checkbox"/>
Rotor temp. low	<input type="checkbox"/>
Fan failure	<input type="checkbox"/>
Rotor failure	<input type="checkbox"/>
Duct pressure deviation	<input type="checkbox"/>
Pump alarm	<input type="checkbox"/>
Filter	<input type="checkbox"/>
Filter timer	<input type="checkbox"/>

energy
efficient
ventilation

ÖSTBERG 

H ÖSTBERG AB

Box 54, SE-774 22 Avesta, Sweden

Phone: +46 226 860 00

E-mail: info@ostberg.com

www.ostberg.com



Other languages in digital format can be downloaded at www.ostberg.com

Tillverkaren kan inte hållas ansvarig för skador på människor eller egendom som orsakats av felaktig installation, driftsättning och/eller felaktig användning av aggregatet och/eller underlåtenhet att införa de processer och instruktioner som finns i användarmanualen "Drift & underhåll".

Av säkerhetsskäl är det absolut nödvändigt att följa instruktionerna i användarmanualen. I händelse av skada som orsakats på grund av att instruktionerna inte efterföljts blir garantin omedelbart ogiltig. Installation och driftsättning måste utföras av en fackman för att garantin ska gälla.

Genvägar:

- **Logga in i Inställningsmeny:** Ange kod 1991.

- **Logga in i Servicemeny:** Ange kod 1199.

- **Ladda ned programvarans senaste version:** [Firmware](#).

- **Ladda ner fullständigt Modbusregister:** [Modbus](#).

FIRMWARE



MODBUS



- **Ladda ned appen:** [HERU IQ App](#)

APPLE



GOOGLE



- **Ladda ned kopplingscheman via produktlänkarna nedan.**

- **Länkar till produktinformation på www.ostberg.com**

HERU S

HERU 100 S EC



HERU 160 S EC



HERU 200 S EC



HERU 300 S EC



HERU T

HERU 100 T EC



HERU 160 T EC



HERU 200 T EC



HERU 300 T EC



	Innehåll
1 Säkerhet	50
Uppmaningar	50
Allmän säkerhet.....	50
Produktetikett.....	51
Försäkran om överensstämmelse.....	52
2 Transport och förvaring	53
Allmänt.....	53
Verifiera leveransen	53
3 Installation	54
3.1 Monteringsprinciper	55
3.2 Monteringsavstånd	56
3.3 Laddning av trådlös display	57
3.4 HERU S	57
3.4.1 Demontera aggregatet för att minska vikten vid installation av HERU S.....	57
3.4.2 Installation av HERU S.....	58
3.4.3 Flytta den elektriska värmaren för flöde i motsatt riktning HERU S.....	60
3.4.4 Montera tillbaka delarna efter installation HERU S	62
3.5 HERU T	62
3.5.1 Demontera aggregatet för att minska vikten vid installation av HERU T.	62
3.5.2 Installation HERU T	65
3.5.3 Montera tillbaka delarna efter installation HERU T	69
3.6 Anslut aggregatet till strömkälla	71
3.7 Anslutning av Modbus till extern styrutrustning	72
4 Avslutande rutiner	73
5 Driftsättning	74
5.1 Första uppstart av HERU-aggregatet.	74
5.2 Konfigurera aggregatet	75
5.3 Anpassa aggregatet för flöde i motsatt riktning.....	76
5.4 Konfigurera aggregatet för Modbus	76
6 Tekniska data	77
7 Välj Menyöversikt	79
8 Reglerschema	85
9 Anslutningar huvudkort	86
10 Inställningsprotokoll för HERU S och HERU T	88

1 Säkerhet

1.1 Uppmaningar



VARNING!

En varning anger risk för personskada.



AKTAS!

Aktas anger risk för skada på utrustning.

1.2 Allmän säkerhet



VARNING!

Alla elinstallationer måste utföras av en behörig elektriker.



VARNING!

Aggregatet måste vara strömlöst i 2 minuter innan arbete kan utföras.



VARNING!

Se till att strömkabeln inte skadas under montering och installation.



VARNING!

Aggregatet får inte startas innan installationen är helt klar och kanalerna har anslutits.



VARNING!

Säkerhetsbrytaren får inte användas för normal start och stopp av aggregatet.
Använd medföljande display.



VARNING!

Säkerhetsbrytaren måste vara avstängd när ellådans lock eller aggregatets luckor öppnas/avlägsnas från aggregatet.



VARNING!

Aggregatet måste alltid vara utrustat med en jordfelsbrytare (RCD) typ A eller B, 30 mA.
Aggregat utan stickkontakt måste installeras med en säkerhetsbrytare som ska vara monterad i närheten.



VARNING!

Aggregat med stickkontakt ska avsäkras med en C10 A-säkring.



VARNING!

Aggregat utan stickkontakt ska avsäkras med en 2xC10 A-säkring tillsammans med 2,5 mm² ledare.



VARNING!

Alla åtgärder på aggregatet och dess kringutrustning måste utföras i enlighet med lokala lagar och bestämmelser.



VARNING!

Se upp för vassa kanter och hörn på aggregatet.

**VARNING!**

Beakta vikten på aggregatet och dess delar under montering och underhåll.

**VARNING!**

Roterande, varma och elektriska komponenter kan orsaka allvarliga skador.

**VARNING!**

Kanaler ska vara anslutna och luckan ska vara stängd och låst innan aggregatet startas upp. Risk för personskada av roterande delar.

**AKTAS!**

Vi rekommenderar att alltid installera spjäll med fjäderretur i kanalerna för ute- och avluft.

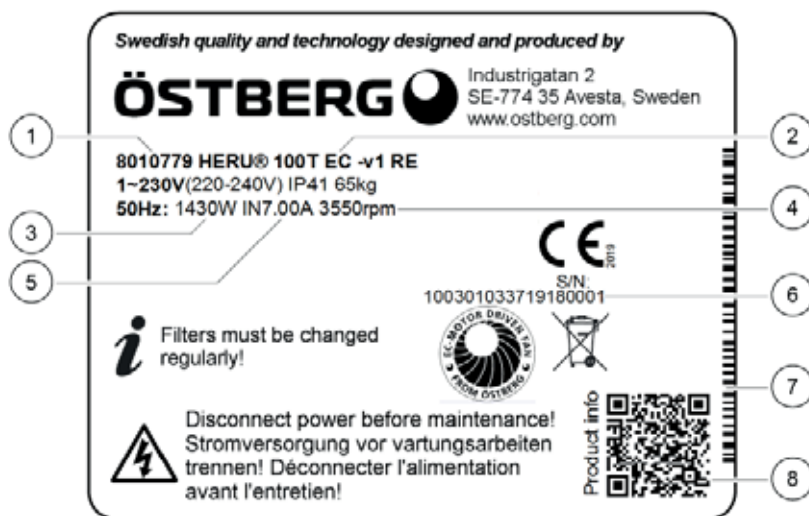
**AKTAS!**

Anslut inte en torktumlare av frånluftstyp eller ett torkskåp till systemet på grund av den höga luftfuktigheten.

**AKTAS!**

Om aggregatet installeras när det är kallt ute/vintertid och inte tas i drift direkt måste kanalerna pluggas igen, annars finns risk för kondens och att aggregatet fryser.

1.3 Produktetikett



Exempel på produktetikett

- ① Artikelnummer
- ② Produktnamn
- ③ Maximal effekt inklusive värmare
- ④ Varvtal vid maximal effekt
- ⑤ Ström vid maximal effekt inklusive värmare
- ⑥ Serienummer
- ⑦ Serienummer som streckkod
- ⑧ QR-kod till produkt hemsida



EU-FÖRSÄKRAN OM ÖVERENSSTÄMMELSE

Vi intygar härmed att våra produkter uppfyller kraven i nedan angivna EU-direktiv och harmoniserande standarder och förordningar.

Tillverkare: H. ÖSTBERG AB
Industrigatan 2
774 35 Avesta
Tel nr 0226 - 860 00
Fax nr 0226 - 860 05
<http://www.ostberg.com>
info@ostberg.com
Org. nr 556301-2201



Produkter: Dubbelriktad ventilationsenhet RVU: HERU® 95 T EC, HERU® 100 T EC, HERU® 160 T EC, HERU® 200 T EC, HERU® 300 T EC, HERU® 100 S EC, HERU® 160 S EC, HERU® 200 S EC, HERU® 300 S EC, HERU® 70 K EC, HERU® 50 LP EC, HERU® 90 LP EC, HERU® 180 S EC 2, HERU® 250 T EC, HERU® 130 S EC, HERU® 250 S EC
Dubbelriktad ventilationsenhet NRUV: HERU® 400 T EC, HERU® 600 T EC, HERU® 800 T EC, HERU®, 1200 T EC, HERU® 400 S EC, HERU® 600 S EC, HERU® 800 S EC, HERU® 1200 S EC

Denna EU-Försäkran gäller produkter inklusive våra tillbehör för montering och installation endast om installation har skett i enlighet med bifogad installationsanvisning samt att produkten ej har modifierats.

Radioutrustningsdirektivet (RED) 2014/53/EU

Harmoniserade standarder:

- EN 300 220-2:2018 V3.1.1
- EN 303 446-1:2019 (EN 55014-1:2017, A11, EN 55014-2:2015, EN IEC 61000-3-2:2019, EN 61000-3-3:2013, A1)
- EN 301 489-3:2019

Maskindirektivet (MD) 2006/42/EG

Harmoniserande standarder:

- EN ISO 12100:2010
- EN ISO 13857:2019
- EN 60204-1:2018
- EN 60335-1:2012, AC 1, A 13 R1, A 11, A 12, A 13, A 1, A 14, A2
- EN 60335-2-40:2003, A13, A2, A12, A1, A11, C1, C2
- EN 60335-2-30:2010, A11, A1, A12

Ekodesigndirektivet 2009/125/EG

Harmoniserande förordningar:

- 1253/2014 Krav på ekodesign för ventilationsenheter
- 1254/2014 Energimärkning av ventilationsenheter för bostäder

Standarder:

- RVU: SS-EN 13141-7:2010 eller NRUV: SS-EN 13053:2019

RoHS-Direktivet 2011/65/EU

Harmoniserande standarder:

- EN IEC 63000:2018

Avesta 2021-03-17

Mikael Östberg
Product Manager

2 Transport och förvaring

2.1 Allmänt

HERU-aggregatet ska förvaras i ett skyddat och torrt utrymme innan installation.

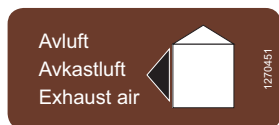
2.2 Verifiera leveransen

- Vid leverans ska aggregatet inspekteras noga för att upptäcka eventuella skador som kan ha uppstått under transporten. Vid allvariga skador ska tillverkaren underrättas omedelbart. OBS! Tillverkaren kan inte hållas ansvarig för skador på aggregatet under transport, även om speditören har anlitats av tillverkaren.
- Verifiera att leveransen innehåller alla beställda delar. Följande delar ska ingå i leveransen av HERU:

- Monterat HERU-aggregat

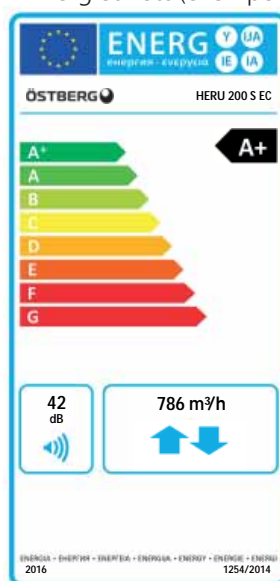
- Etiketter:

- Etiketter för luftriktning



(endast för HERU T 100/160)

- Energietikett (exempel)



- Kablar:
 - Antennkabel
 - GT7-kabel (endast för HERU S)
 - Sladdställ med stickkontakt (utom för HERU S 200/300 och HERU T 200/300)
- 2 filter
- Touch display/Trådlös display
- Väggekonsol för aggregatet (endast för HERU T 100/160)
- Väggekonsol för displayen
- Laddare
- Vibrationsdämpare x2 (HERU T 100), x3 (HERU T 160)
- Antenn och antennfäste
- Informationsblad (endast för HERU S)
- Manual för installation
- Manual för drift och underhåll

- Kontakta din återförsäljare om något saknas.

3 Installation

**VARNING!**

Aggregatet måste vara strömlöst innan arbete kan påbörjas.

**VARNING!**

Se till att elektriciteten är avstängd under hela monteringsprocessen.

**VARNING!**

Aggregatet får inte startas innan installationen är helt klar och kanalerna har anslutits.

**VARNING!**

Alla elinstallationer måste utföras av en behörig elektriker.

**VARNING!**

Säkerhetsbrytaren måste vara avstängd eller stickkontakten urdragen när ellådans lock eller aggregatets luckor öppnas/avlägsnas från aggregatet.

**VARNING!**

Alla åtgärder på aggregatet och dess kringutrustning måste utföras i enlighet med lokala lagar och bestämmelser.

**VARNING!**

Roterande, varma och elektriska komponenter kan orsaka allvarliga skador.

**AKTAS!**

Anslut inte en torktumlare av frånluftstyp eller ett torkskåp till systemet på grund av den höga luftfuktigheten.

**AKTAS!**

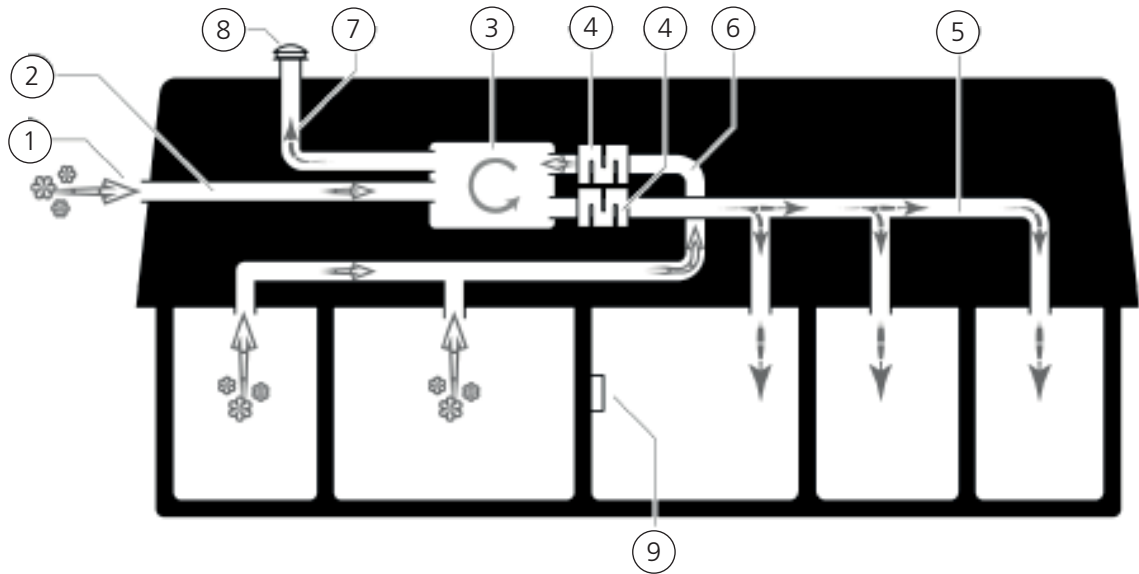
Om aggregatet installeras när det är kallt ute/vintertid och inte tas i drift direkt måste kanalerna pluggas igen, annars finns risk för kondens och att aggregatet fryser.

**AKTAS!**

Installation och driftsättning måste utföras av fackman för att garantin ska vara gällande.

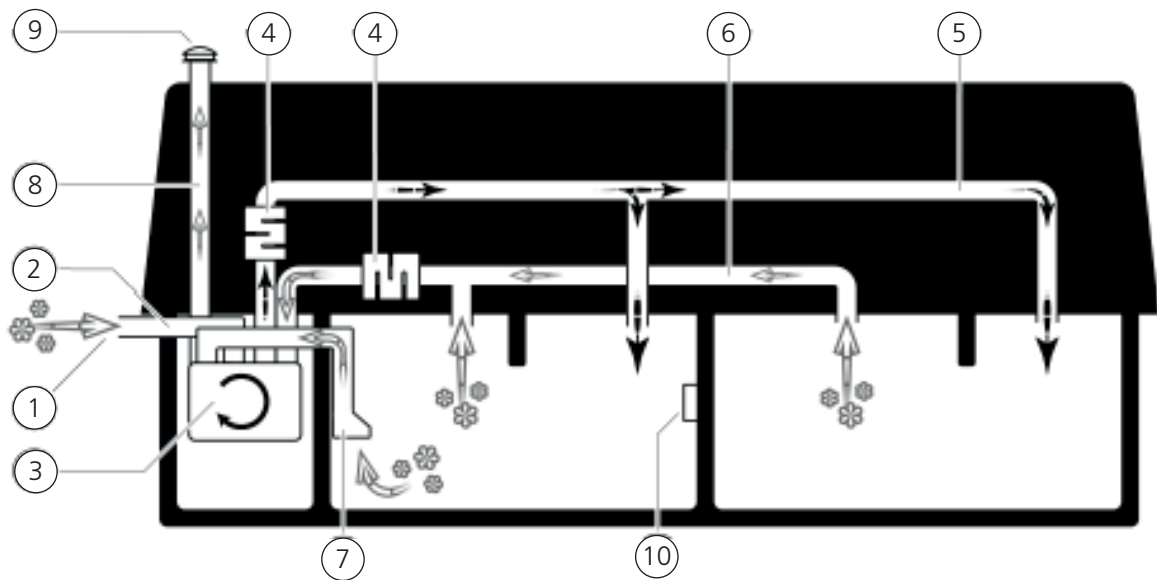
3.1 Monteringsprinciper

HERU S placeras på kall eller varm plats, t.ex på vind.



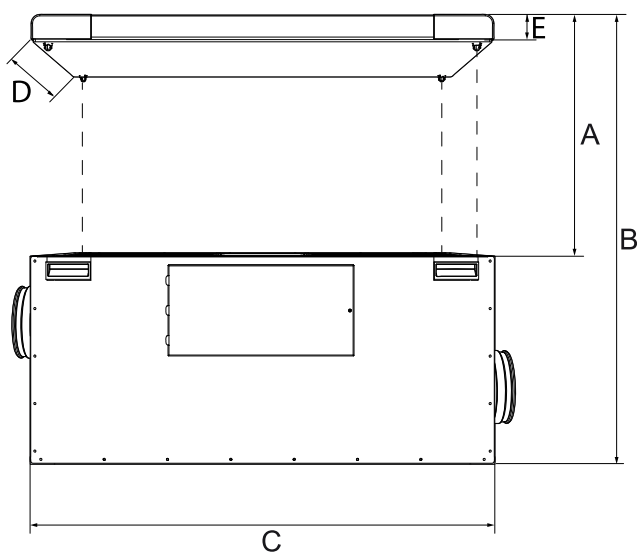
- | | |
|-------------------------------------|-----------------------|
| ① Intagsgaller för uteluft | ⑥ Frånluftskanal |
| ② Uteluftskanal | ⑦ Avluftskanal |
| ③ HERU S energiåtervinningsaggregat | ⑧ Takhuv avluft |
| ④ Ljuddämpare | ⑨ Trådlös IQC display |
| ⑤ Tilluftskanal | |

HERU T placeras på varm plats, t.ex tvättstuga.



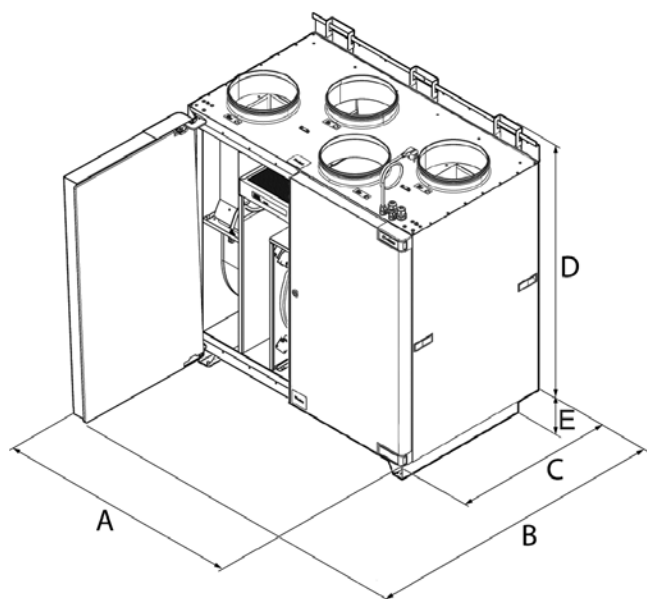
- | | |
|-------------------------------------|-----------------------|
| ① Intagsgaller för uteluft | ⑥ Frånluftskanal |
| ② Uteluftskanal | ⑦ Spiskåpa frånluft |
| ③ HERU T energiåtervinningsaggregat | ⑧ Avluftskanal |
| ④ Ljuddämpare | ⑨ Takhuv avluft |
| ⑤ Tilluftskanal | ⑩ Trådlös IQC display |

3.2 Monteringsavstånd



Monteringsavstånd för HERU S

Modell (mm)	A	B	C	D	E
HERU 100 S EC	415	850	969	507	51
HERU 160 S EC	519	1038	1131	574	51
HERU 200 S EC	728	1456	1250	680	51
HERU 300 S EC	728	1456	1250	680	51



Monteringsavstånd för HERU T

Modell	A	B	C	D	E
HERU 100 T EC RE/LE	796	990	492	759	–
HERU 160 T EC RE/LE	942	1130	559	919	–
HERU 200 T EC RE/LE	1124	1344	682	1135	100
HERU 300 T EC RE/LE	1124	1344	682	1135	100

3.3 Laddning av trådlös display

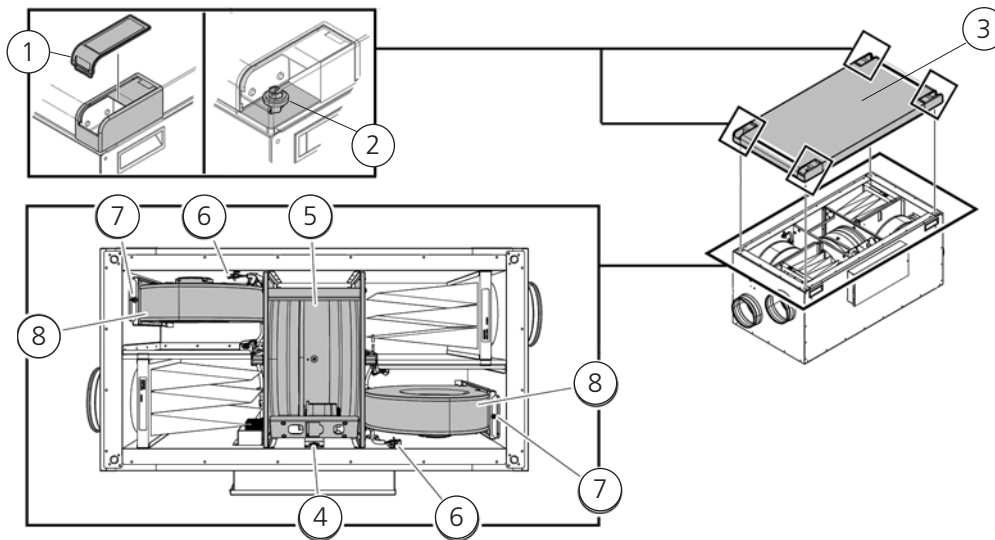
Förberedelser:

Inga förberedelser krävs.

1. Anslut laddarens mini-usbkontakt till den trådlösa displayen.
2. Anslut laddaren till vägguttaget.

3.4 HERU S

3.4.1 Demontera aggregatet för att minska vikten vid installation av HERU S.



Tillvägagångssätt för att demontera aggregat

- ① Plastlock
- ② Skruvar
- ③ Aggregatlock
- ④ Snabbkontakt till rotorkassett
- ⑤ Rotorkassett
- ⑥ Snabbkontakt tillfläkt
- ⑦ Torxskruv T25
- ⑧ Fläkt

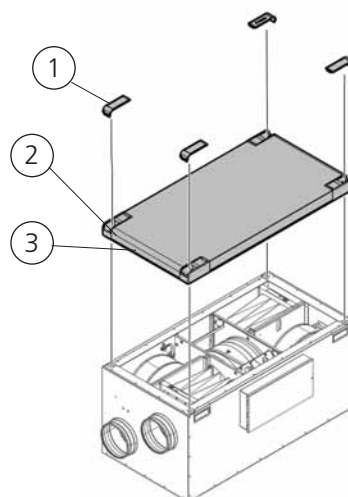
Förberedelser:

Verktyg

- Torx skruvmejsel T25
 - Spårskruvmejsel/13 mm hylsa
- Inga andra förberedelser krävs.

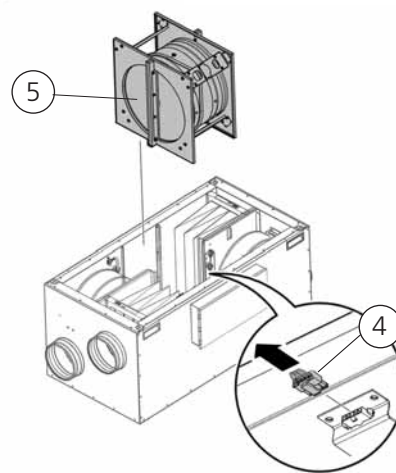
Ta bort aggregatets lock.

- ① Ta bort hörnens plastlock.
- ② Lossa skruvarna som håller aggregatlocket.
- ③ Lyft av locket.



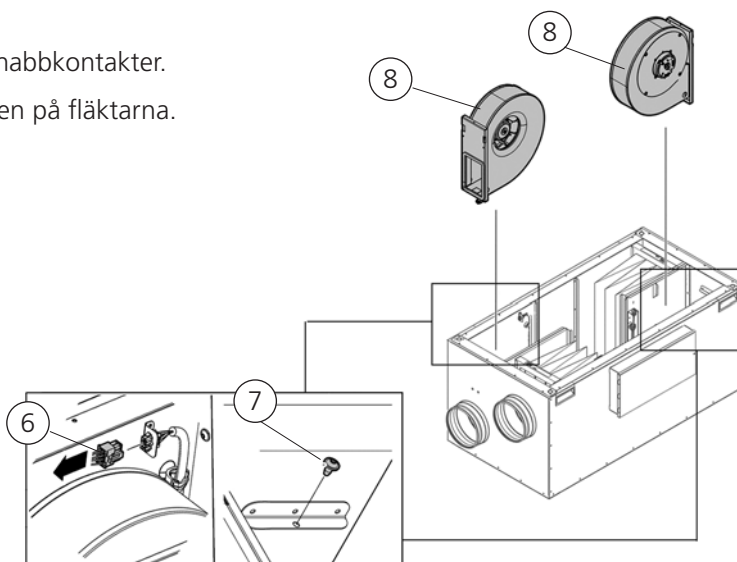
Ta ur rotorkassetten.

- ④ Koppla bort rotorkassetten snabbkontakt.
- ⑤ Ta ur rotorkassetten.



Ta ur fläktarna.

- ⑥ Koppla ur fläktarnas snabbkontakter.
- ⑦ Ta bort Torx T25-skraven på fläktarna.
- ⑧ Ta ur fläktarna.



3.4.2 Installation av HERU S



AKTAS!

Spiskåpa får inte anslutas till aggregatet på grund av det ökade rengöringsbehovet.

Förberedelser:

- En isoleringsskiva måste placeras på installationsytan.
- Monteringsavstånden, se **3.2 Monteringsavstånd**, måste följas.
- HERU S kan monteras i kallt eller varmt utrymme.
- Lokala bestämmelser för placering, åtkomst och elanslutningar måste beaktas vid installation av HERU S.
- Det dimensionerade luftflödet bör inte överstiga 75% av aggregatets maximala kapacitet.
- Vid installation på varma och fuktiga platser, till exempel badrum eller groventré, kan kondens uppstå på utsidan av aggregatet vid låga utomhustemperaturer. Om aggregatet installeras vid kallt väder och inte tas i drift direkt, måste kanalerna pluggas igen, annars finns det risk för kondens.
- Vi rekommenderar att alltid installera spjäll med fjäderretur i kanaler för ute- och avluft.
- Om det är stora skillnader mellan omgivande temperatur och temperaturen i kanalerna för till- och frånluft ska de isoleras för att förhindra kondens.
- Kanalerna för ute- och avluft ska alltid isoleras mot kondens.
- Kanalerna ska isoleras hela vägen fram till aggregatet.

Verktyg

- Ø9 mm borrh
- Vattenpass
- Torxskruvmejsel T25

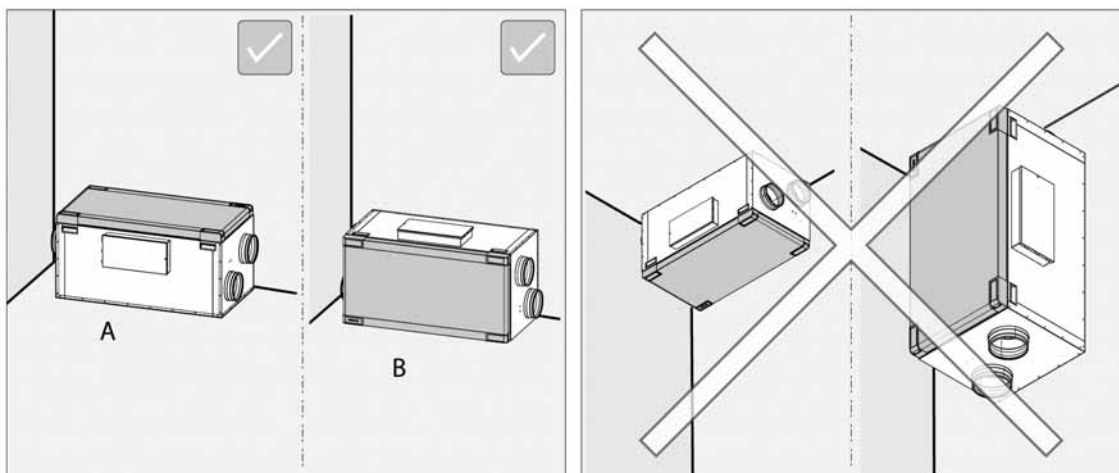
Material - HERU 100 och 160 S

- Isoleringsskiva, minst 50 mm.
- Buntband

Material - golvstående HERU 200 och 300 S

- Isoleringsskiva, minst 50 mm.
- Buntband
- Golvstativ (finns som tillbehör)
- Rörklämma eller fläns med omgivande isolering

1. Installera HERU S med locket uppåt (A) eller åt sidan (B).



VARNING!

Installera inte aggregatet vertikalt eller med luckan nedåt på grund av skaderisken.

OBS! Säkerställ att utrymme finns runt aggregatet för service och underhåll.
Se **3.2 Monteringsavstånd**.

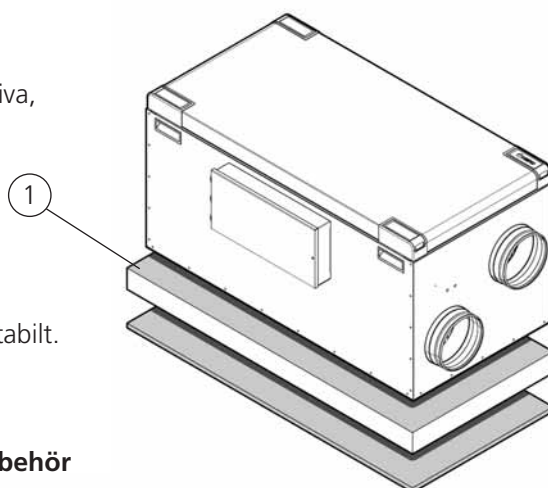
Golvstående HERU 100 och 160 S

- 1 Placera aggregatet på en stöttålig isoleringsskiva, minst 50 mm.

Säkerställ att aggregatet står i våg i både x- och y-led.
Använd vattenpass.

OBS!

Underlaget för aggregatet måste vara jämnt och stabilt.

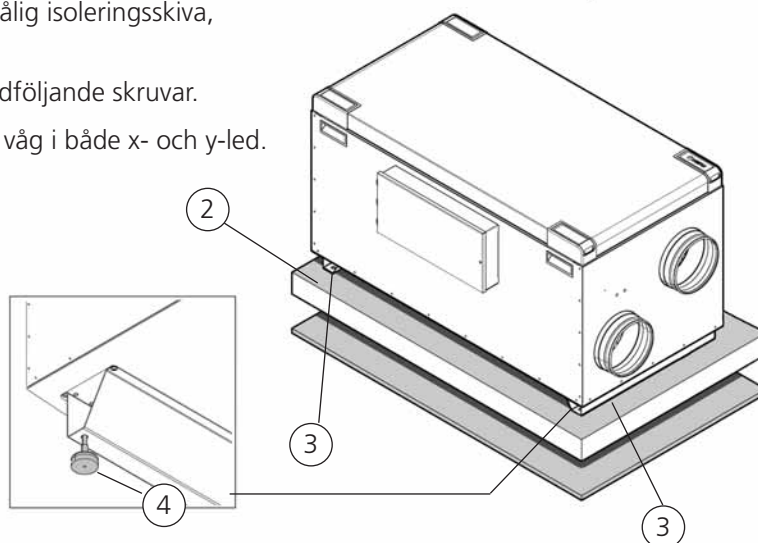
**Golvstående HERU 200 och 300 S med golvstativ som tillbehör**

- 2 Placera aggregatet på en stöttålig isoleringsskiva, minst 50 mm.
- 3 Montera golvstativen med medföljande skruvar.
- 4 Säkerställ att aggregatet står i våg i både x- och y-led.
Använd vattenpass.
Justera fötterna vid behov.

OBS!

Underlaget för aggregatet måste vara jämnt och stabilt.

Tillbehöret Novibramatta kan läggas under fötterna för att minska vibrationer mot golvbjälklaget.

**Anslut kanalerna till aggregatet.**

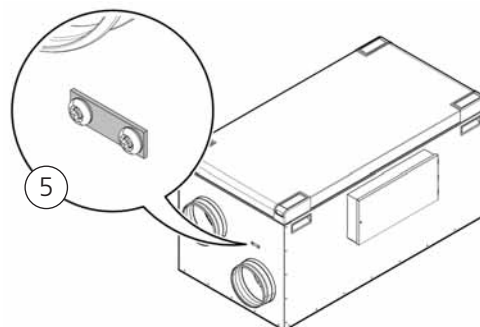
2. Använd rörklämma eller fläns med omgivande isolering.
3. Montera kanalgivaren GT7 i tilluftskanalen. Se **9 Reglerschema**.
 - Förbered kanalen. Borra ett Ø9 mm-hål, placera det cirka 1000 mm efter aggregatet, kyl- eller värmebatteri.
 - Dra kabeln genom kabelgenomföringen.
 - Montera kanalgivaren i det borrarade hålet. Kanalgivaren ska sitta centrerad i kanalen.
 - Fixera kanalgivaren. Fäst ett buntband runt kabelgenomföringen.
4. Fäst antennen på lämplig plats vid sidan om aggregatet. Fäst antennen så centralt som möjligt för att maximera signalen i byggnaden. Vid behov finns förlängningssladd som tillbehör.

**AKTAS!**

Antennen får inte fästas mot någon metallyta eller metallföremål då det blockerar signalen.

5. Om ett värmebatteri är anslutet ska spjäll med fjäderretur monteras i ute- och avluftskanalen. Det minskar risken för frysning när aggregatet inte är i drift.

- 5 Anslut kanalerna till någon av de externa jordpunkterna på aggregatet.



3.4.3 Flytta den elektriska värmaren för flöde i motsatt riktning

OBS!

Vid leverans är aggregatet konfigurerat för luftflöde i standardriktningen.

Om flödet behöver ändras till motsatt riktning måste den elektriska värmaren flyttas.

Förberedelser:

Verktyg

- Torx T25 skruvmejsel

Inga andra förberedelser krävs.

① Lossa snabbkontakten.

② Lossa skruven.

③ Ta bort värmaren från mellanväggen.

④ Lyft ur värmaren.

⑤ Flytta värmaren till motsatt sida på den andra mellanväggen. Se till att fästet på värmarens högra sida placeras i konsolen.

⑥ Fäst värmaren med skruven.

⑦ Anslut snabbkontakten.

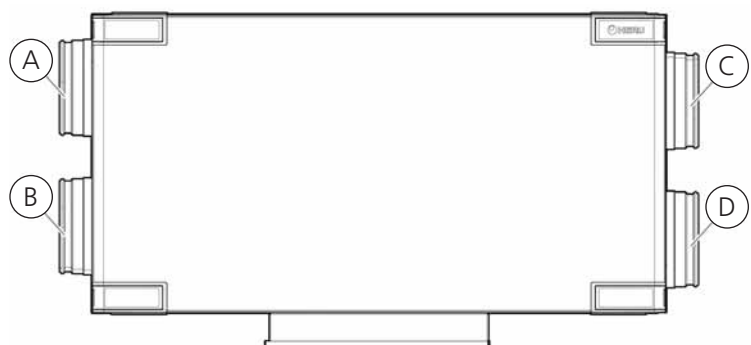
Flytta värmarens strömförsörjningskabel på styrkortet enligt kopplingscheman.

OBS!

För mer information om hur man konfigurerar aggregatet för motsatt flödesriktning, se **5.3 Anpassa aggregatet för flöde i motsatt riktning**.

Kanalanslutningarna vid motsatt flödesriktning.

- ① A Tilluft
- ② B Frånluft
- ③ C Uteluft
- ④ D Avluft



Byt ut etiketterna för luftflödesriktning på HERU S aggregatet till fyra nya etiketter från tillbehörslådan. Placera dem enligt figuren för motsattflödesriktning.

3.4.4 Montera tillbaka delarna efter installation HERU S

Förberedelser:

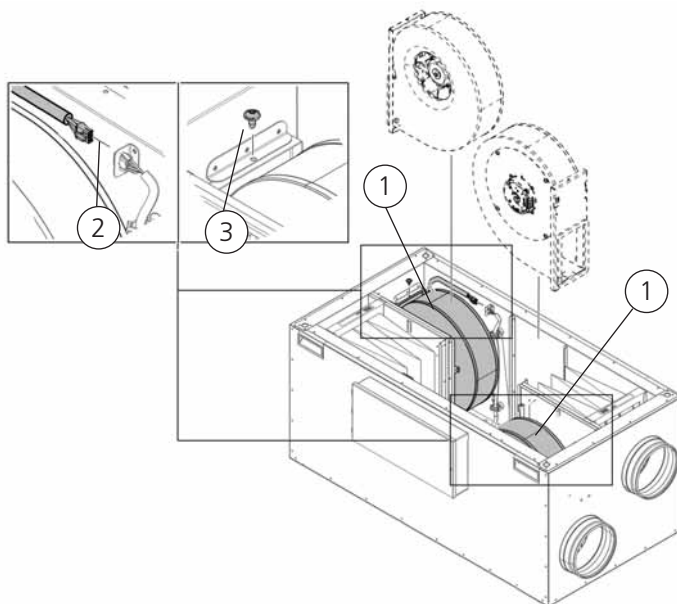
Verktyg

- Torx T25 skruvmejsel

Inga andra förberedelser krävs.

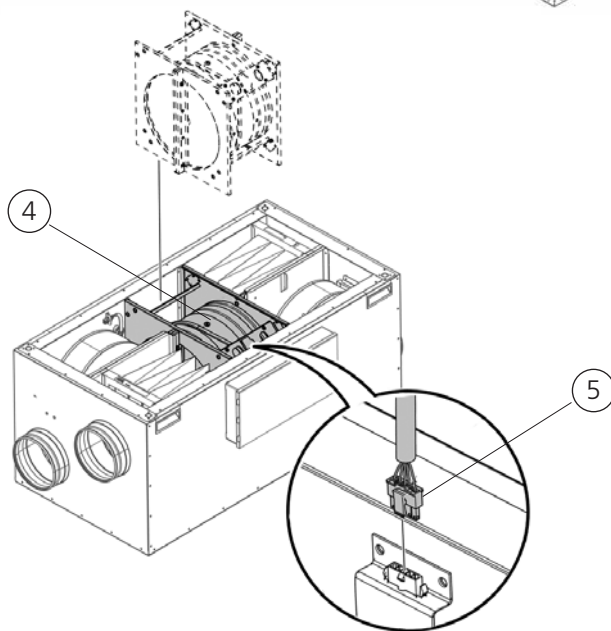
Montera tillbaka fläktarna.

- 1 Lyft ner fläktarna.
- 2 Skruva fast fläktarna med Torx T25-skruvarna.
- 3 Koppla in fläktarnas snabbkontakt



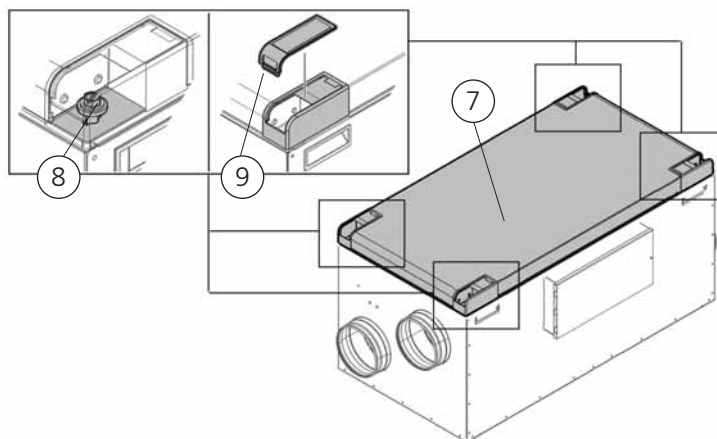
Montera tillbaka rotorkassetten.

- 4 Lyft ner rotorkassetten.
- 5 Koppla in rotorkassetten snabbkontakt.



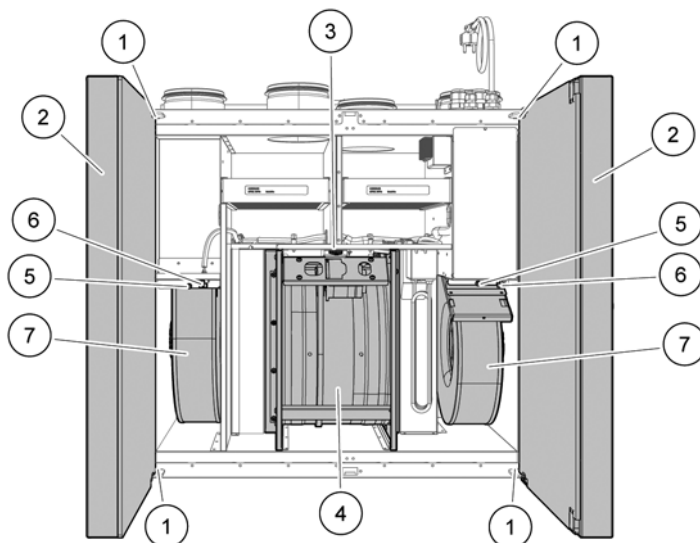
Montera tillbaka aggregatets lock.

- 7 Placera locket på aggregatet.
- 8 Dra åt skruvarna medurs.
- 9 Klicka fast hörnens plastlock.



3.5 HERU T

3.5.1 Demontera aggregatet för att minska vikten vid installation HERU T



Tillvägagångssätt för att demontera aggregat

- ① Övre och nedre dörrskruv
- ② Aggregatets dörrar
- ③ Rotorkassetten snabbkontakt
- ④ Rotorkassett
- ⑤ Torxskruv T25
- ⑥ Snabbkontakt
- ⑦ Fläktar

Förberedelser:

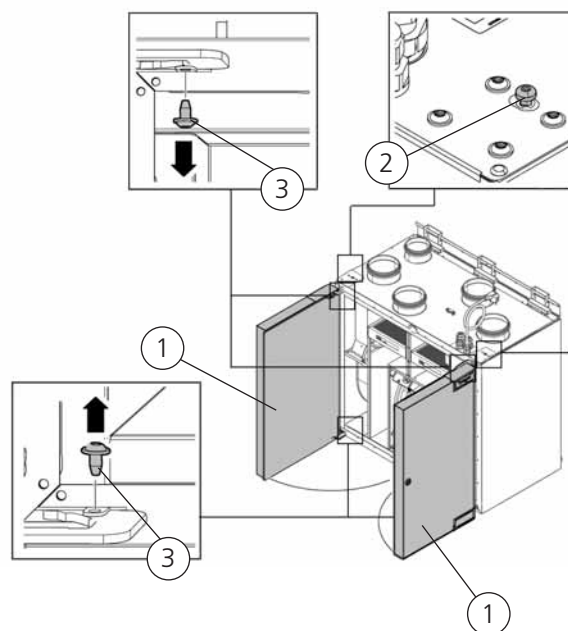
Verktyg

- Torxskruvmejsel T25
 - Spårskruvmejsel
 - Insexnyckel 4 mm med kula
- Inga andra förberedelser krävs.

Demontera aggregatetsdörrar.

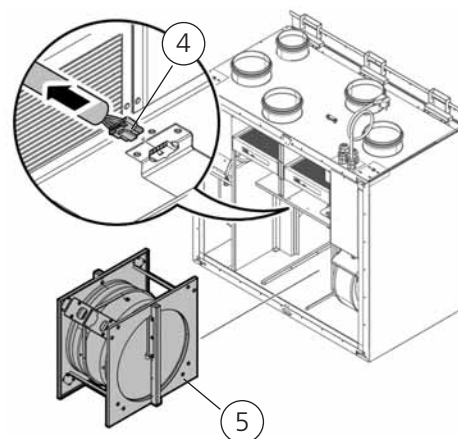
- ① Öppna aggregatets dörrar.
- ② Lossa skruvarna.
- ③ Håll dörren och ta bort de övre och nedre skruvarna.

Dra dörren utåt för att frigöra den från aggregatet.



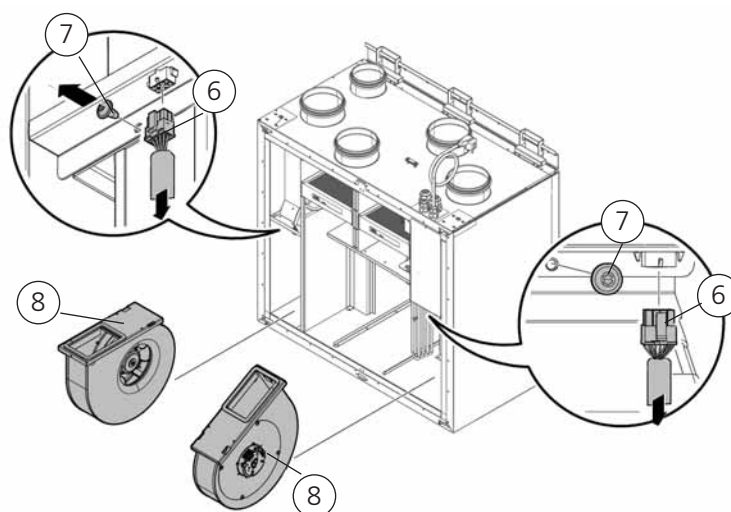
Ta ur rotorkassetten.

- ④ Ta bort rotorkassetts snabbkontakt.
- ⑤ Dra ut rotorkassetten.



Ta ur fläktarna.

- ⑥ Ta bort snabbkontaktarna till fläktarna.
- ⑦ Skruva loss Torx T25-skruvarna på fläktarna.
- ⑧ Ta ur fläktarna.



3.5.2 Installation HERU T

Förberedelser

- Monteringsavstånden, se **3.2 Monteringsavstånd**, ska följas.
 - HERU T ska monteras i varmt utrymme.
 - Lokala bestämmelser för placering, åtkomst och elanslutningar måste beaktas vid installation av HERU T.
 - Det dimensionerade luftflödet bör ej överstiga 75% av aggregatets maximala kapacitet.
 - Vid installation på varma och fuktiga platser, till exempel badrum eller groventré, kan kondens uppstå på utsidan av aggregatet vid låga utomhustemperaturer. Om aggregatet installeras vid kallt väder och inte tas i drift direkt måste kanalerna pluggas igen, annars finns det risk för kondens.
 - Om det är stora skillnader mellan omgivande temperatur och temperaturen i kanalerna för till- och frånluft måste de isoleras för att förhindra kondens.
 - Kanalerna för ute- och avluft ska alltid isoleras mot kondens.
 - Kanalerna ska isoleras hela vägen fram till aggregatet.
- Inga andra förberedelser krävs.

Verktyg

- Vattenpass
- Torxskruvmejsel T25

Material - vägghängd HERU 100 och 160 T

- Fästelement som är lämpliga för väggens konstruktion och skick
- Rörlämma eller fläns med omgivande isolering

Material - golvstående HERU 160 T

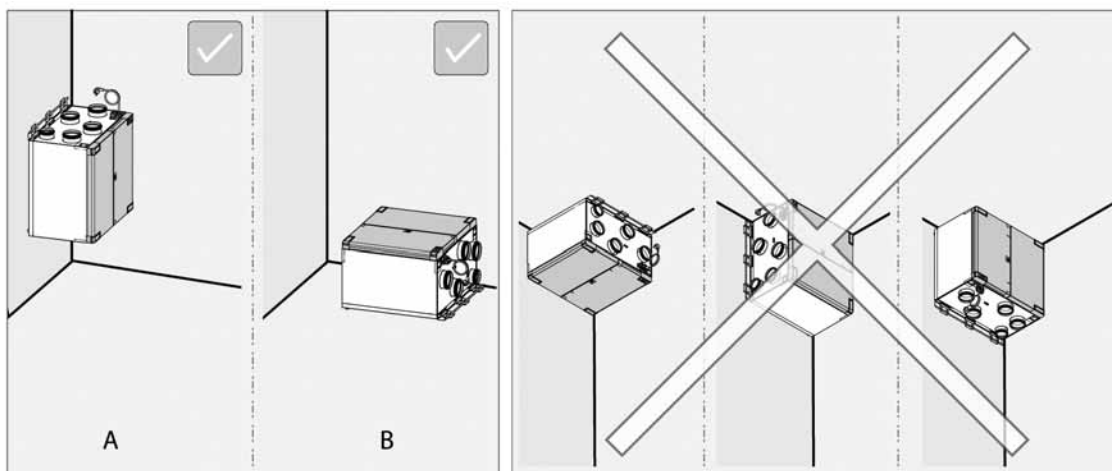
- Golvstativ (finns som tillbehör)
- Rörlämma eller fläns med omgivande isolering

Material - golvstående HERU 200 och 300 T

- Rörlämma eller fläns med omgivande isolering

Vägghängd HERU 100 och 160 T

1. Installera HERU T med kanalanslutningarna uppåt (A) eller åt sidan med dörrarna uppåt (B).



VARNING!

Installera inte aggregatet med kanalanslutningarna eller luckorna nedåt på grund av skaderisken.



AKTAS

Aggregatet måste vara monterat på en isolerad vägg. Undvik väggar mot sovrum.

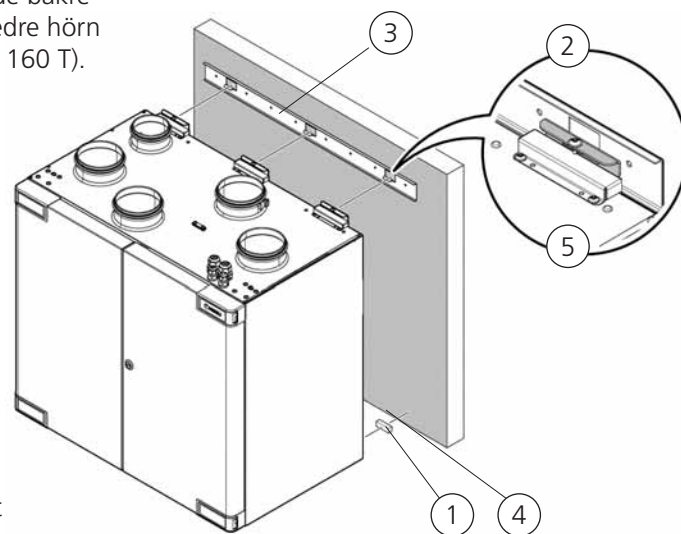
OBS!

Säkerställ att det finns utrymme för service och underhåll. Se **3.2 Monteringsavstånd**.

- ① Fäst de självhäftande gummikuddarna i de bakre nedre hörnen, en gummikudde i varje nedre hörn (HERU 100, 160 T) och en i mitten (HERU 160 T).

- ② Ta bort skruvarna (3 skruvar för HERU 100 T, 4 skruvar för HERU 160 T) och ta bort väggkonsolen från HERU-aggregatet.

- ③ Fäst väggkonsolen horisontellt på den isolerade väggen med rätt antal och typ av fäst element. Skruvhål i väggkonsol ska placeras 27 mm ovanför aggregatets topp.



2. Vinkla ut underdelen på aggregatet från väggen, häng aggregatet på konsolen och låt aggregatets underdel falla tillbaka mot väggen.

3. Justera aggregatet i sidled för att uppnå rättläge.

- ④ Säkerställ att de självhäftande gummikuddarna har bra kontakt med väggen

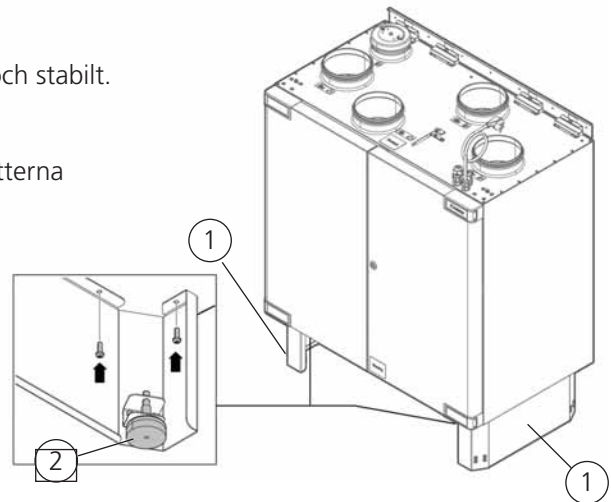
- ⑤ Fäst aggregatet på väggkonsolen med medföljande skruvar (3 skruvar för HERU 100 T, 4 skruvar för HERU 160 T).

Golvstående HERU 160 T med golvstativ som tillbehör

OBS!
Underlaget för aggregatet måste vara jämnt och stabilt.

OBS!
Tillbehöret Novibramatta kan läggas under fötterna för att minska vibrationer mot golvbjälklaget.

- ① Montera golvstativen med medföljande skruvar.
- ② Säkerställ att aggregatet står i våg i både x-och y-led. Använd vattenpass. Justera fötterna vid behov.

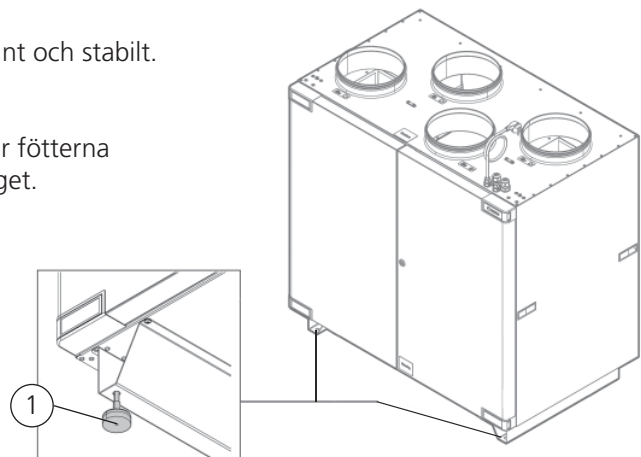


Golvstående HERU 200 och 300 T inkl. golvstativ

OBS!
Underlaget för aggregatet måste vara jämnt och stabilt.

OBS!
Tillbehöret Novibramatta kan läggas under fötterna för att minska vibrationer mot golvbjälklaget.

- ① Säkerställ att aggregatet står i våg i både x-och y-led. Använd vattenpass. Justera fötterna vid behov.



Spiskåpa

HERU 100 och 160 T är utrustade med spiskåpeanslutning som standard, där luften från spiskåpan inte passerar filter eller den roterande värmeväxlaren. Vid aktivering av spiskåpan startas HERU-aggregatets förinställda forceringsläge och skapar ett utsug från spiskåpan.

Spiskåpan ska:

- vara utrustad med spjäll. Spiskåpan får EJ ha integrerad fläkt.
- kopplas in i aggregatet via tvåledad, 0,75 mm² kabel.
- vara utrustad med en potentialfri kontakt som sluter kretsen då spiskåpan aktiveras.

Om en spiskåpa ska anslutas till systemet demonteras det isolerade locket från aggregatets spiskåpeanslutning och kanal från spiskåpa monteras istället.



VARNING!

Säkerställ att installationen uppfyller lokala och nationella krav på brandsäkerhet.



AKTAS!

Spiskåpa som ansluts till HERU T får inte ha en integrerad fläkt.



AKTAS!

Spiskåpa får EJ anslutas till HERU 200 och 300 T.

1. Montera spiskåpan enligt tillverkarens anvisningar.
2. Dra in den tvåledade kabeln från spiskåpan i HERU-aggregatet genom en av de lediga kabelgenomföringarna i aggregatets topp.
3. Anslut spiskåpan till systemet genom att demontera det isolerade locket på aggregatets översida.
4. Montera kanal från spiskåpa på aggregatets kanalanslutning, märkt med spiskåpa.
5. Lossa muttern på kabelgenomföringen och ta bort en av genomföringens pluggar.
6. Dra igenom lämplig längd av kabeln för anslutning på styrkortet.
7. Dra ur den löstagbara plinten på position D2 och anslut kabel från spiskåpan i denna.
8. Tryck därefter tillbaka plinten på dess position D2.

Inga ytterligare åtgärder krävs.

Anslut kanalerna till aggregatet.

1. Använd rörklämma eller fläns med omgivande isolering.



AKTAS!

Säkerställ att kanalerna är fastkopplade i rätt läge på HERU-aggregatet.

2. Fäst antennen på lämplig plats vid sidan om aggregatet. Fäst antennen så centralt som möjligt för att maximera signalen i hela byggnaden. Vid behov finns en förlängningssladd som tillhör.

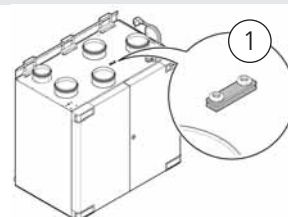


AKTAS!

Antennen får inte fästas mot metallyta eller metallföremål eftersom det blockerar signalen.

3. Om ett värmebatteri är anslutet ska spjäll med retur fjäder monteras i kanalerna för ute- och avluft. Det minskar risken för frysning när aggregatet inte är i drift.

4.  Anslut kanalerna till den externa jordpunkten på aggregatet.



3.5.3 Montera tillbaka delarna efter installation HERU T

Förberedelser:

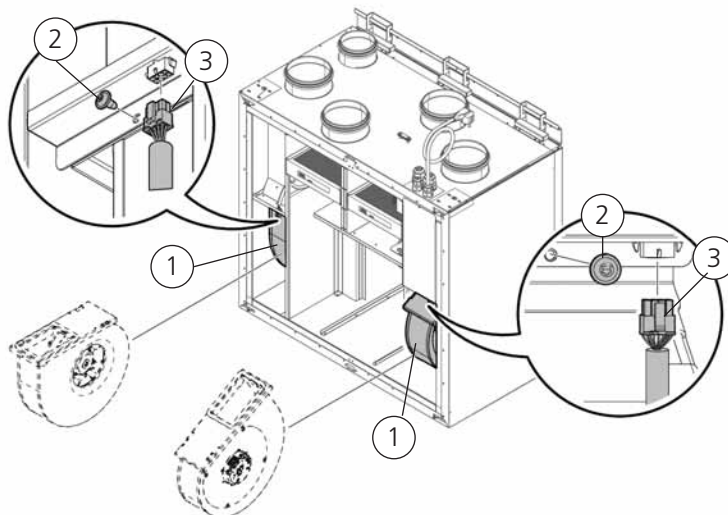
Inga förberedelser krävs.

Verktyg

- Torxskruvmejsel T25
- Insexnyckel 4 mm medkula

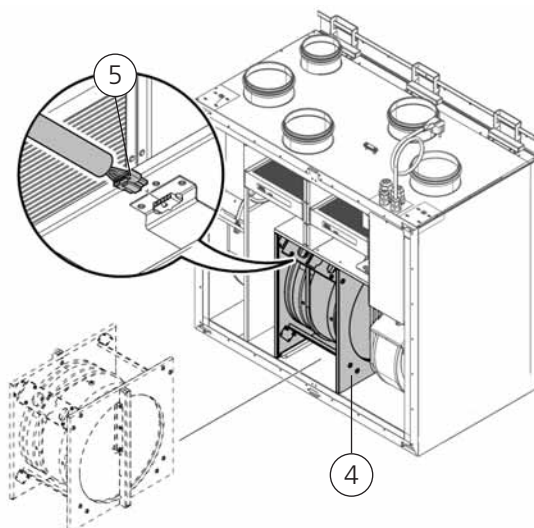
Montera tillbaka fläktarna.

- 1 Skjut in fläktarna.
- 2 Skruva fast Torx T25-skrivarna på fläktarna.
- 3 Koppla in fläktarnas snabbkontakter.



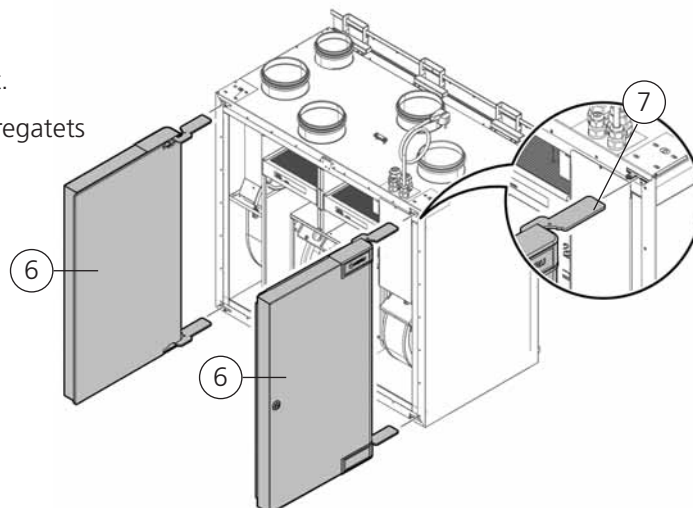
Montera tillbaka rotorkassetten.

- 4 Skjut in rotorkassetten i aggregatet.
- 5 Sätt fast rotorkassetten snabbkontakt.



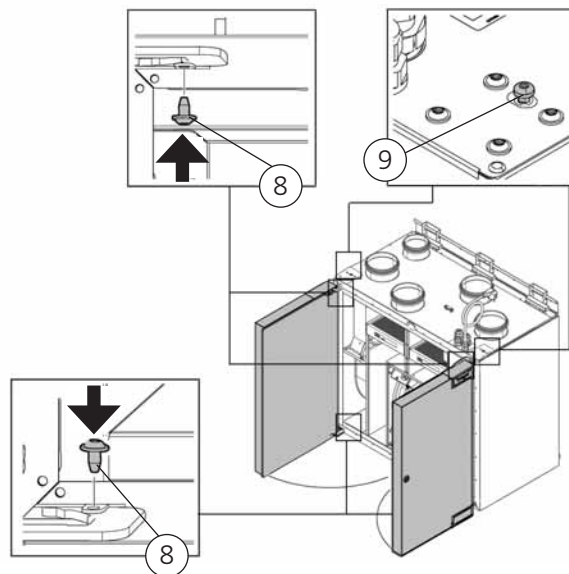
Montera tillbaka dörrarna.

- 6 Sätt fast dörrarna på aggregatet.
- 7 Tryck i dörrarnas gångjärn i aggregatets gångjärnsfästen.



- ⑧ Håll dörrarna och skruva i övre och nedre skruvarna.
- ⑨ Skruva därefter åt låsskruvarna.

Stäng aggregatets dörrar.



3.6 Anslut aggregatet till strömkälla

**VARNING!**

Aggregatet måste alltid vara utrustat med en jordfelsbrytare (RCD) typ A eller B, 30 mA. Aggregat utan stickkontakt måste installeras med en säkerhetsbrytare som ska vara monterad i närheten.

**VARNING!**

Aggregat med stickkontakt ska avsäkras med en C10 A-säkring.

**VARNING!**

Aggregat utan stickkontakt ska avsäkras med en 2x10 A-säkring tillsammans med 2,5 mm² ledare.

**VARNING!**

Alla elinstallationer måste utföras av en behörig elektriker.

**VARNING!**

Säkerhetsbrytaren får inte användas till normal start och stopp av aggregatet. Använd den medföljande trådlösa displayen.

**VARNING!**

Se till att strömkabeln inte skadas under montering och installation.

**VARNING!**

Alla åtgärder på aggregatet och dess kringutrustning måste utföras i enlighet med lokala lagar och bestämmelser.

**VARNING!**

Se till att det inte finns några lösa delar inuti aggregatet och att dörrarna är stängda och låsta innan strömmen slås på.

Förberedelser:

Inga förberedelser krävs.

1. Om aggregatet har en stickkontakt ska en C10A-säkring användas.
2. Om aggregatet inte har någon stickkontakt ska en 2x10A-säkring tillsammans med 2,5 mm² ledare användas (värmare och energiåtervinningsaggregat).
3. Installera en säkerhetsbrytare i närheten av aggregatet.

OBS!

Säkerhetsbrytaren får inte användas till normal start och stopp av aggregatet. Använd medföljande trådlös display.

3.7 Anslutning av Modbus till extern styrutrustning

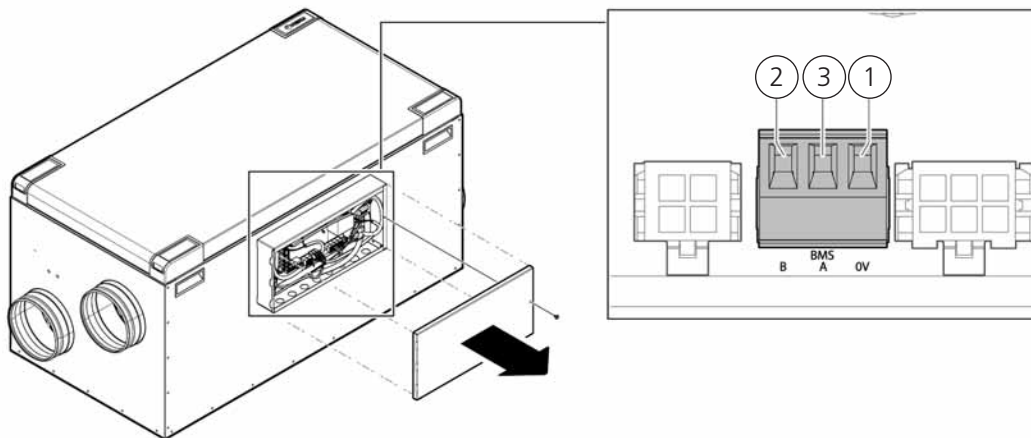
Förberedelser:

- Den externa styrutrustningen måste stödja Modbus RTU dataprotokoll som används för RS485 för att kommunicera med aggregatet.

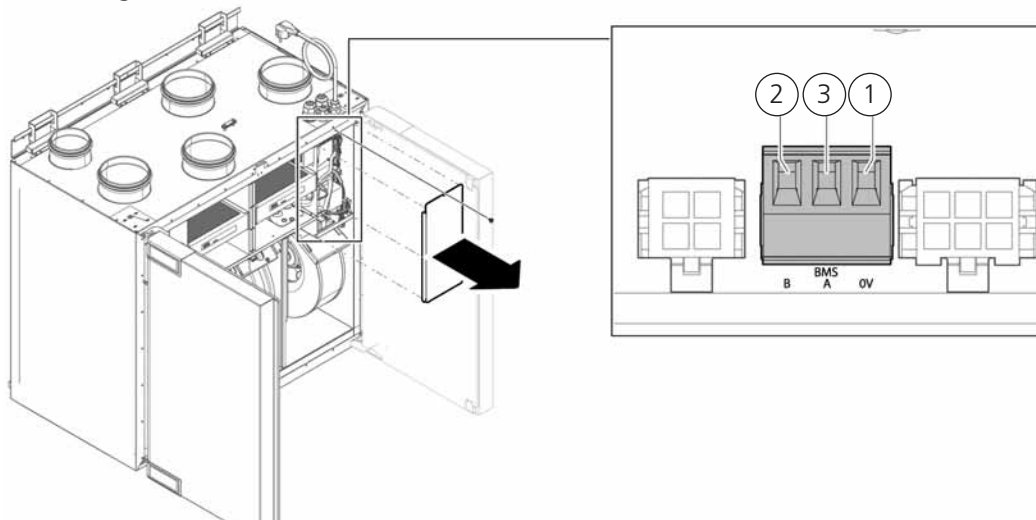
Verktyg

- Torxskruvmejsel T25
- Spårskruvmejsel (endast HERU T)

Anslutning av Modbus till HERU S.



Anslutning av Modbus till HERU T.



- 1 Anslut GND till 0.



AKTAS!

Om ingen ledare är ansluten till terminal 0 kan spänningspotential skada utrustningen.

- 2 Anslut Rx-/Tx- till B.
- 3 Anslut Rx+/Tx+ till A.

OBS!

För mer information om hur man konfigurerar Modbus via den trådlösa displayen, se **5.4 Konfigurera aggregatet** för Modbus.

4 Avslutande rutiner

Förberedelser:

Inga förberedelser krävs.

1. Säkerställ att det inte finns några lösa delar inuti aggregatet och att aggregatets lock/dörrar är stängda och låsta.
2. Säkerställ att produkten är i drift och att inga larm är aktiva.
3. Om möjligt, spara en säkerhetskopia av inställningarna.
4. Om möjligt, avsluta programvaruapplikationerna och koppla ur terminalen.
5. Samla ihop alla verktyg.
6. Meddela berörda personer att arbetet är slutfört.
7. Följ rutinerna för retur och avlägsnande av utbytta delar och förpackningsmaterial.

5 Driftsättning



VARNING!

Aggregatets kanaler måste vara anslutna, luckor/dörrar stängda och skruvarna åtdragna innan aggregatet startas för att undvika risk för personskada av roterande delar.



VARNING!

Filter måste vara installerade innan aggregatet används.

För information om servicemenyn, se **7 Välj Menyöversikt**.

För information om aktiv vy i den trådlösa displayen, tryck på **i-knappen** i displayens statusrad.

5.1 Första uppstart av HERU-aggregatet

Förberedelser:

Inga förberedelser krävs.

1. Strömsätt HERU-aggregatet.
 - Om aggregatet har en stickkontakt, anslut den till ett uttag.
 - Om aggregatet inte har någon stickkontakt, slå på strömmen med säkerhetsbrytaren.
2. Väck displayen genom att ansluta den medföljande laddkabeln till displayen. Anslut laddkabeln via 220V adapter till vägguttag.

OBS!

Den trådlösa displayen är parkopplad vid leverans. Om extra display önskas måste denna parkopplas. Se manual Drift och underhåll, **4.2 Parkoppla enheter**.

3. Displayen synkroniserar. När detta är klart, tryck på **HERU-symbolen** i displayen.
4. Tryck på "**Starta aggregat**". Därefter startar aggregatet upp första gången genom en ca 15 min lång startsekvens.

OBS!

Aggregatet agerar inte på några kommandon innan startsekvensen är klar.

5. När startsekvensen är klar är aggregatet i drift enligt de förinställda värdena.
6. Kontrollera att den senaste versionen av programvaran är installerad.
 - Gå in på **Inställningar/Om/Version** i den trådlösa displayen.
 - Jämför versionen mot den senaste publicerade versionen av programvaran. på <https://www.ostberg.com>.
 - Om ny version av programvaran finns tillgänglig, se manual Drift och underhåll, **4.15 Uppdatera programvara**.

5.2 Konfigurera aggregatet

Förberedelser:

Gå igenom stegen i **Inställningsprotokollet** innan konfiguration, se **10 Inställningsprotokoll för HERU S och HERU T**. Efter konfiguration lämnas protokollet över till användaren för förvaring på ett säkert ställe.

Förbered konfiguration genom att ha värden för följande parametrar tillhands:

- Typ av värmare
- Önskad styrmetod
- Maximal gräns för börvärde för temperatur
- Temperaturgränser för tilluft
- Varmhållningstemperatur och gränser för frysskydd
- För **Brytare inmatning kontaktfunktion**: om normalt öppen (NO) eller normalt stängd (NC) för:
 - Brandlarm**
 - Pumplarm**
 - Forcering**
 - Övertryck**
 - Utökad drift**
 - Bortaläge**
 - Filter**
- Brytarens inmatningssignaltyper för **Forcering**, **Borta** och **Utökad drift**.
- **Larmklass**: A eller B.
- **Varningar larmrelä**: på/av
- **Flödesriktning**
- **Standard fläkthastighet** för **Tilluft** och **Frånluft**
- **Minsta fläkthastighet** för **Tilluft** och **Frånluft**
- **Maximal fläkthastighet** för **Tilluft** och **Frånluft**
- **Filterkontroll: Timer**

1. Öppna huvudmenyn, välj **Service**.
2. Logga in. Ange kod 1991.
3. Välj **Guide**.
4. Klicka på **OK** i dialogrutan som visas.
5. Följ guiden för att göra alla inställningar.
6. Klicka på knappen **Klar**.
- 7, Gå tillbaka till huvudmenyn. Klicka på pilen i det nedre vänstra hörnet eller på knappen huvudmeny i det övre vänstra hörnet.
8. Gå tillbaka till startskärmen. Klicka på **x** i det övre vänstra hörnet.

5.3 Anpassa aggregatet för flöde i motsatt riktning

Förberedelser:

- HERU S endast: Den elektriska värmaren måste vara monterad för flöde i motsatt riktning. Inga andra förberedelser krävs.

1. Öppna huvudmenyn, välj **Service**.
2. Logga in. Ange kod 1991.
3. Välj **Fläktstyrning**.
4. Klicka på **OK** i dialogrutan som visas.
5. I alternativet **Flöde** välj **Motsatt**.
6. Gå tillbaka till huvudmenyn. Klicka på pilen i det nedre vänstra hörnet eller på knappen huvudmeny i det övre vänstra hörnet.
7. Gå tillbaka till startskärmen. Klicka på **x** i det övre vänstra hörnet.

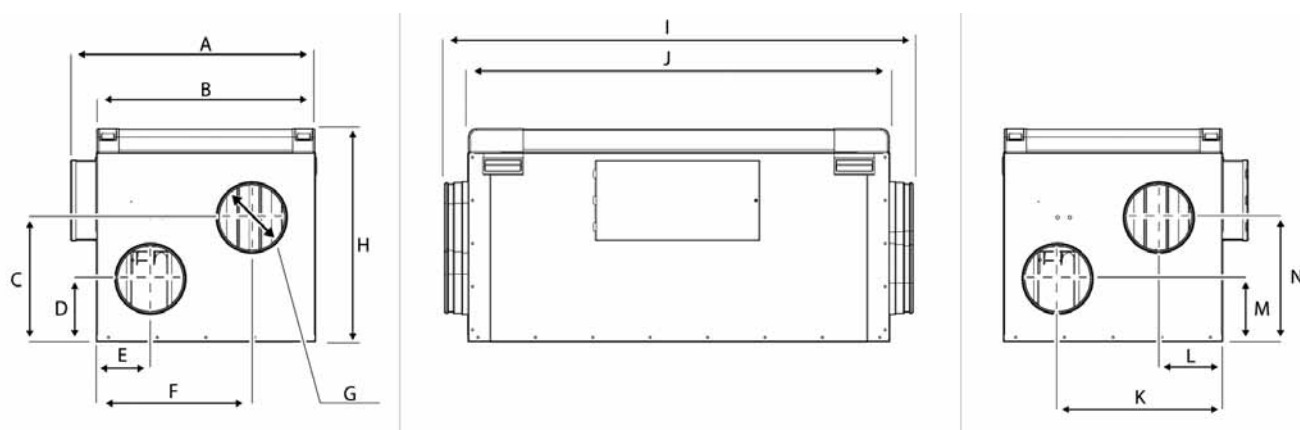
5.4 Konfigurera aggregatet för Modbus

Förberedelser:

- ID och baudhastighet måste motsvara kundens inställningar. Inga andra förberedelser krävs.

1. Ladda ner det fullständiga Modbusregistret här: <https://www.ostberg.com>.
2. Öppna huvudmenyn, välj **Service**.
3. Logga in. Ange kod 1991.
4. Välj **Kommunikation**.
5. I alternativet **Modbus** ställer du in följande värden:
 - Adress
 - Baud
 - Stopbit
 - Paritet
6. Gå tillbaka till huvudmenyn. Klicka på pilen i det nedre vänstra hörnet eller på knappen huvudmeny i det övre vänstra hörnet.
7. Gå tillbaka till startskärmen. Klicka på **x** i det övre vänstra hörnet.

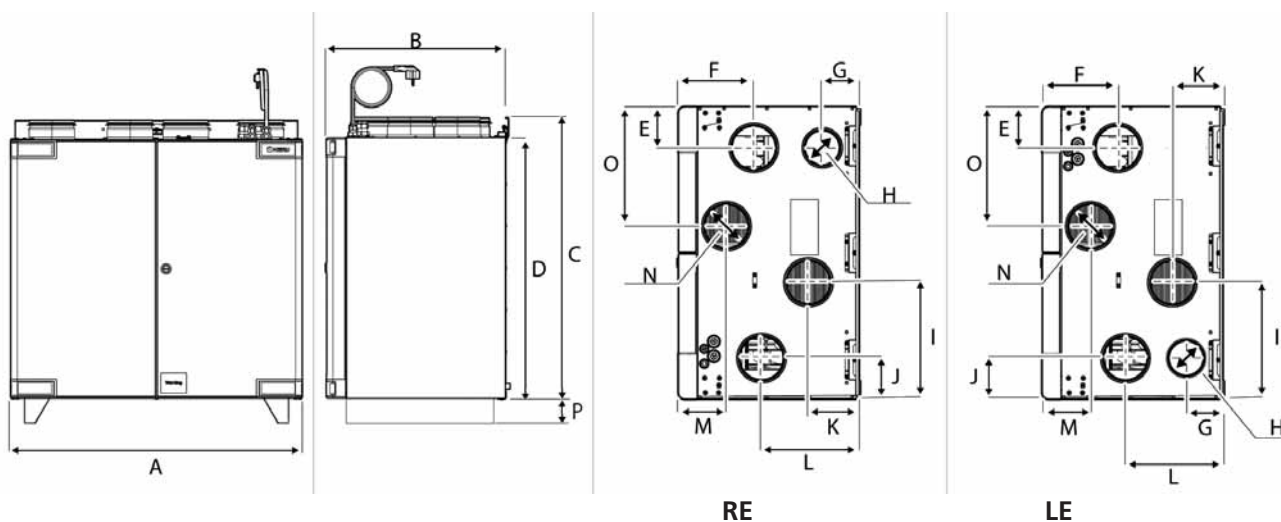
6 Tekniska data



HERU S

	HERU 100 S EC	HERU 160 S EC	HERU 200 S EC	HERU 300 S EC
Total effekt (W)	1420	2020	2620	2930
Vikt (kg)	60	80	96	99
Mått (mm)				
A	562	631	740	740
B	507	574	683	683
C	285	346	497	497
D	145	176	199	199
E	124	152	182	182
F	357	405	494	494
G	Ø 160 (4x)	Ø 200 (4x)	Ø 250 (4x)	Ø 250 (4x)
H	488	570	679	679
I	1075	1236	1352	1352
J	969	1131	1250	1250
K	379	418	498	498
L	146	165	186	186
M	145	176	199	199
N	285	346	497	497

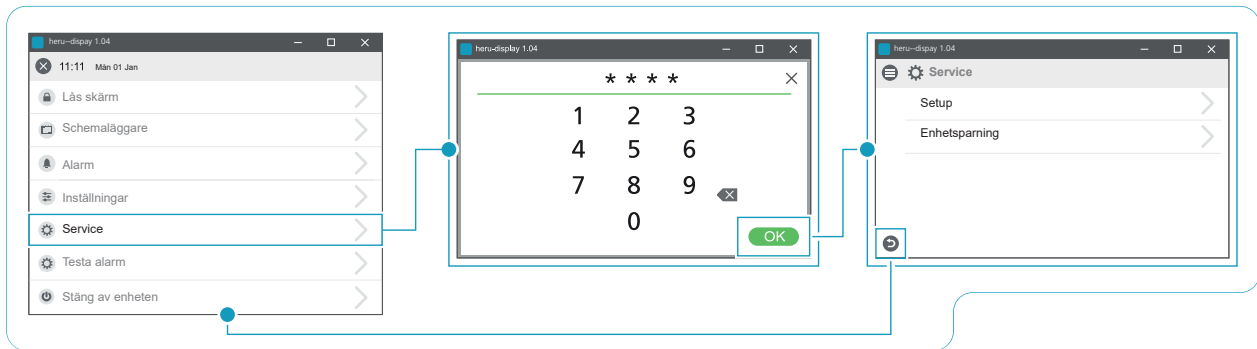
För ytterligare tekniska data se <https://www.ostberg.com>.

**HERU T**

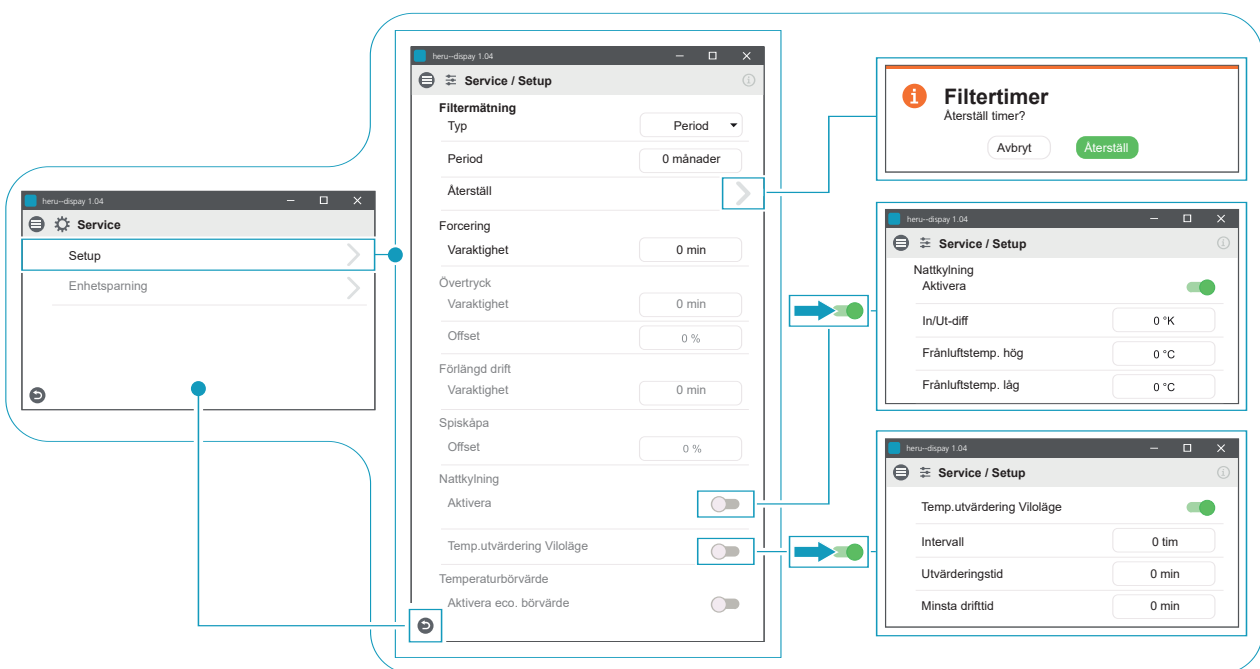
	HERU 100 T EC	HERU 160 T EC	HERU 200 T EC	HERU 300 T EC
Total effekt (W)	1420	2020	2620	2930
Vikt (kg)	70	98	135	138
Mått (mm)				
A	796	942	1124	1124
B	492	559	682	682
C	759	919	1135	1135
D	705	865	1082	1082
E	113	132	177	177
F	204	249	255	255
G	101	113	–	–
H	Ø 100 (1x)	Ø125 (1x)	–	–
I	318	370	442	442
J	112	130	174	174
K	138	138	474	474
L	265	310	250	250
M	130	149	479	479
N	Ø 125 (4x)	Ø 160 (4x)	Ø 250 (4x)	Ø 250 (4x)
O	326	372	446	446
P	–	–	100	100

För ytterligare tekniska data se <https://www.ostberg.com>.

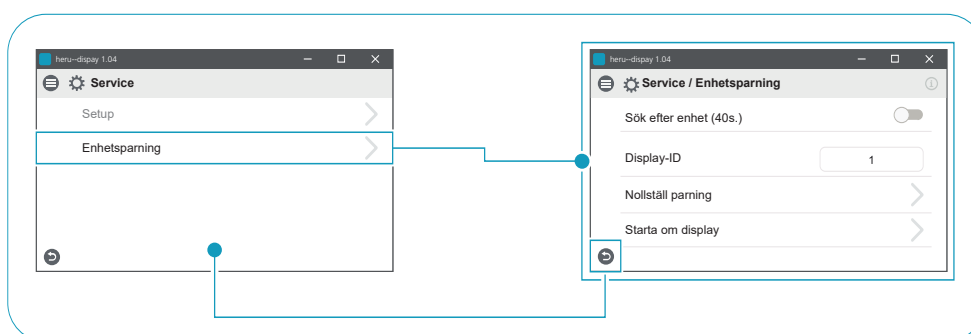
7 Välj Menyöversikt



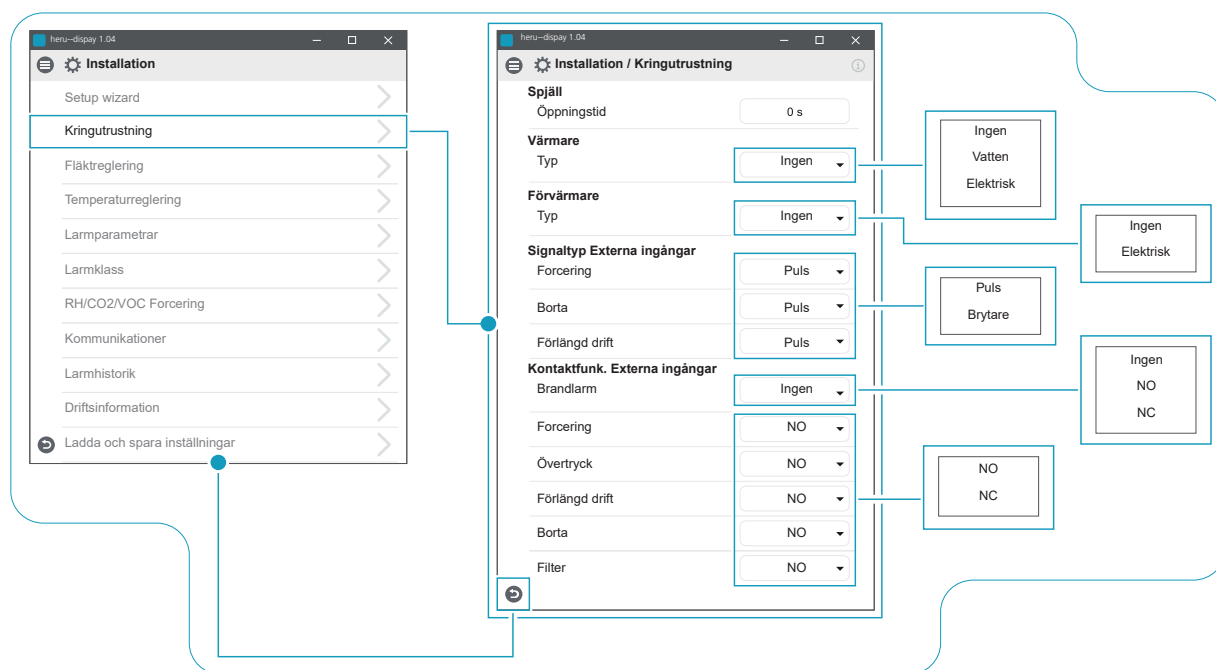
Service > Lösenord > Service



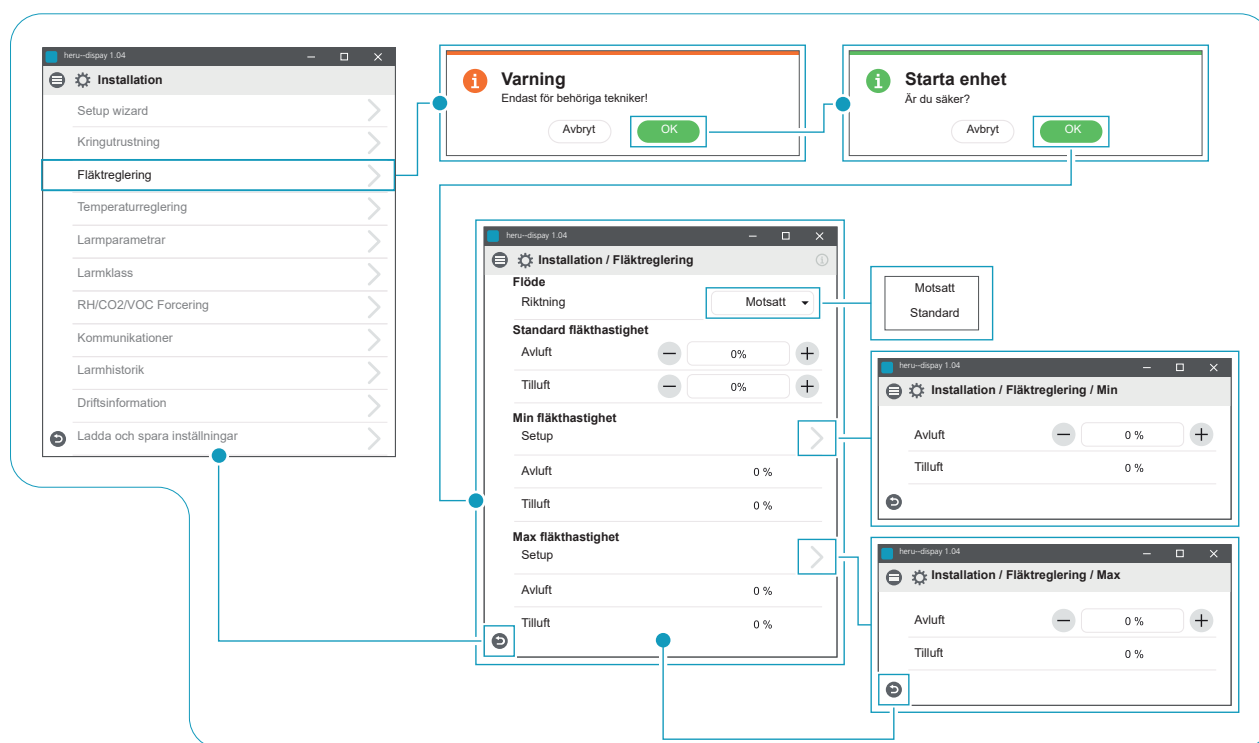
Service > Setup



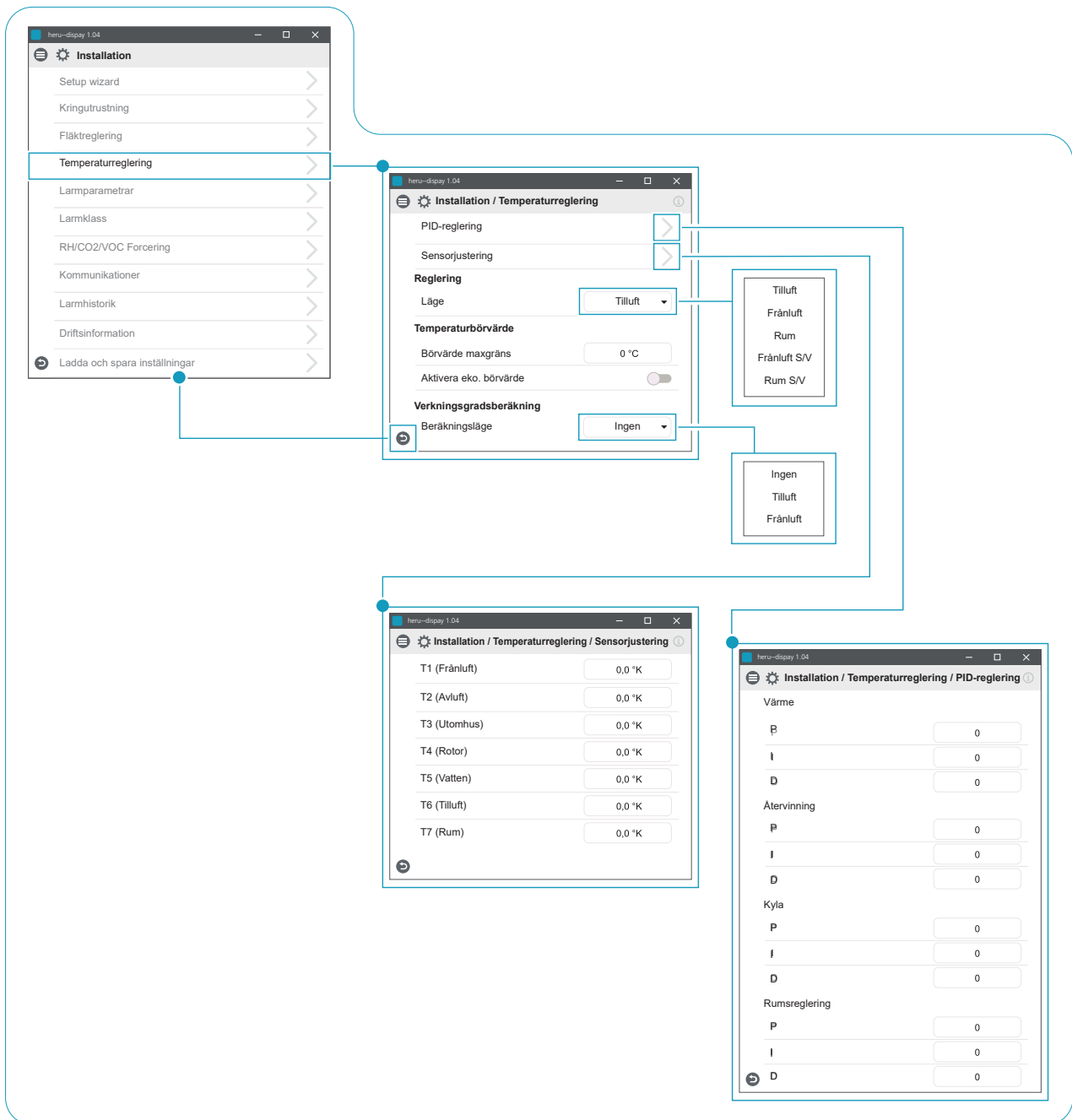
Service > Enhetsparning



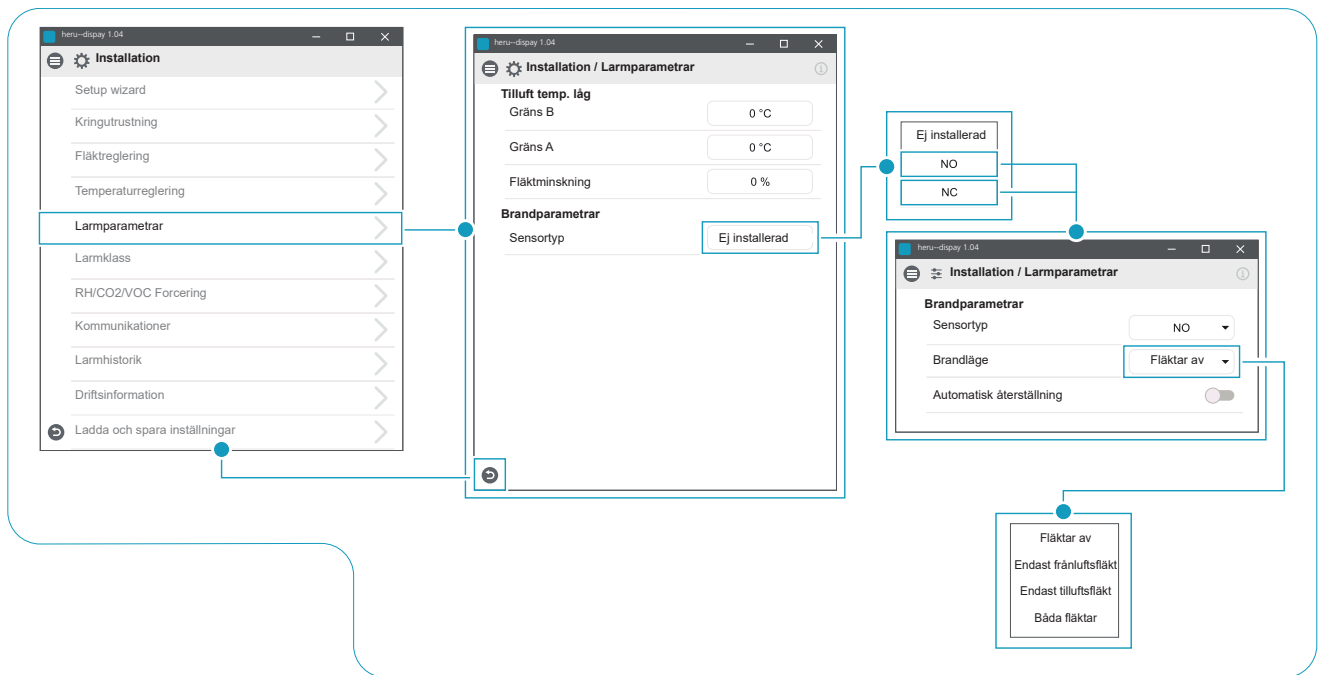
Installation > Kringutrustning



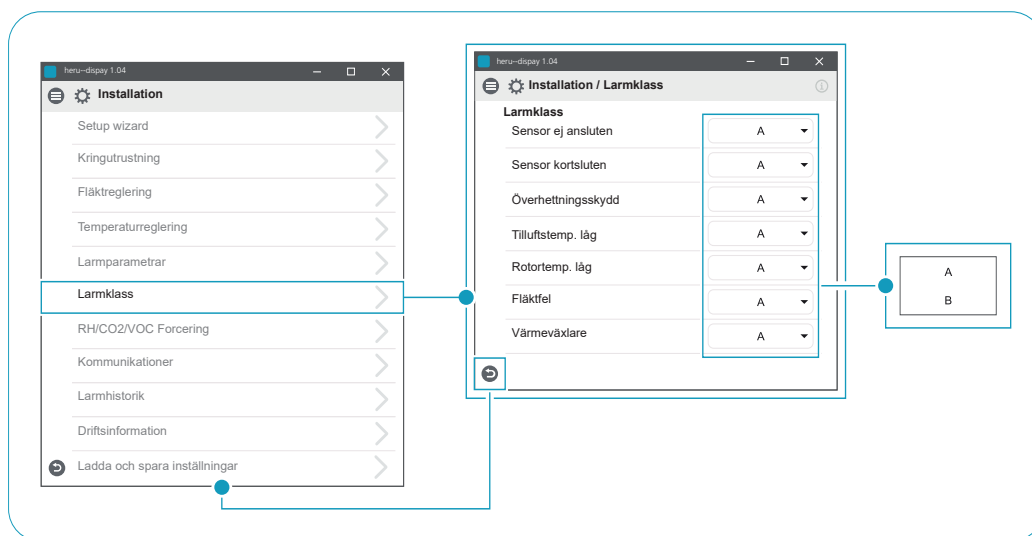
Installation > Installation / Fläktreglering



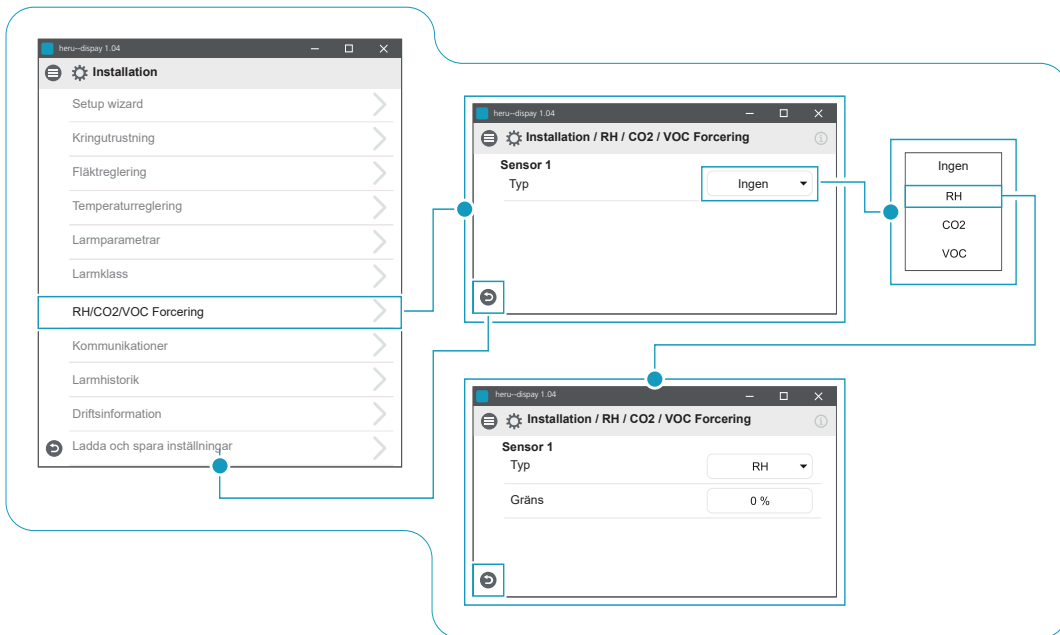
Installation > Installation / Temperaturreglering



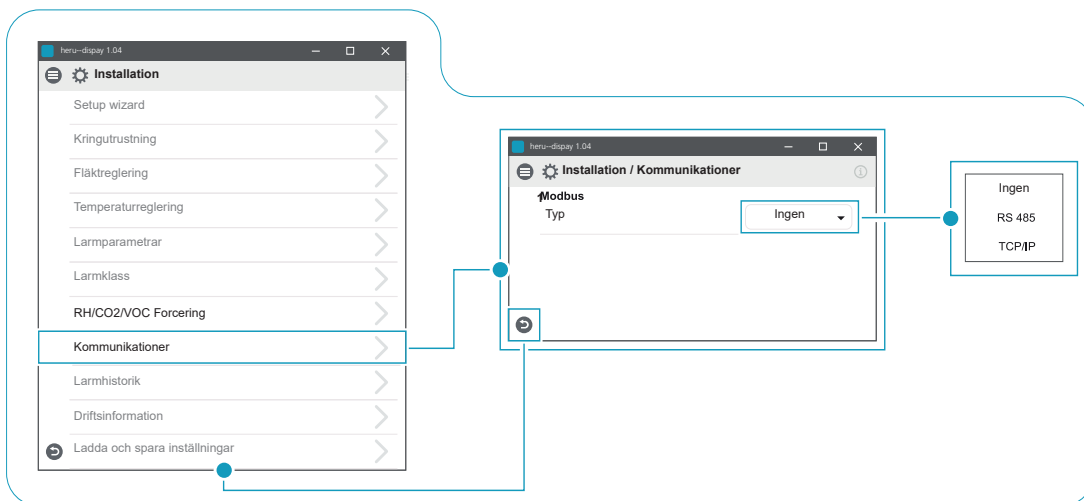
Installation > Installation/Larmparametrar



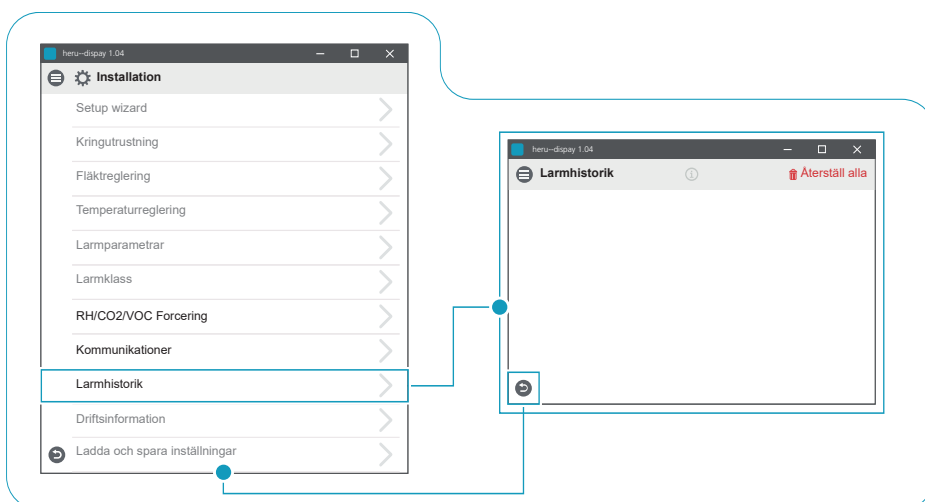
Installation > Installation/Larmklass



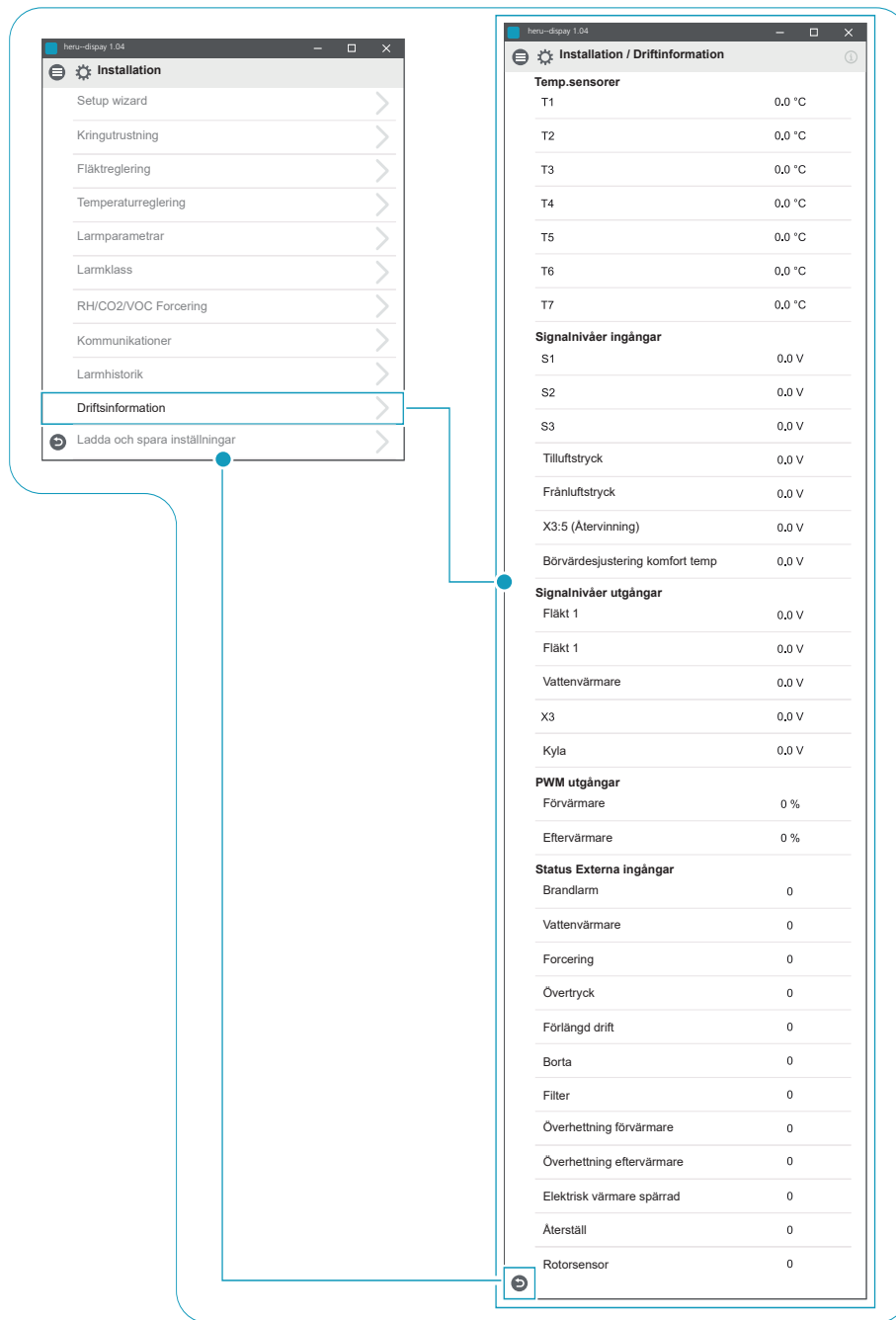
Installation > Installation/RH/CO2/VOC Forcering



Installation > Installation/Kommunikationer

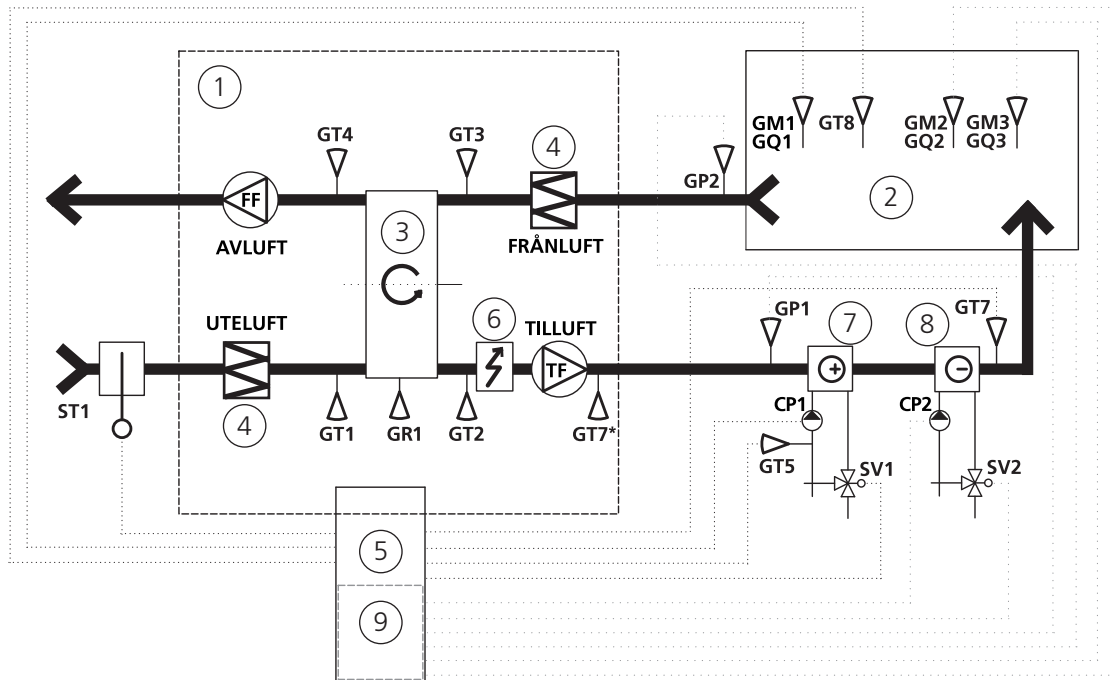


Installation > Installation/Larmhistorik



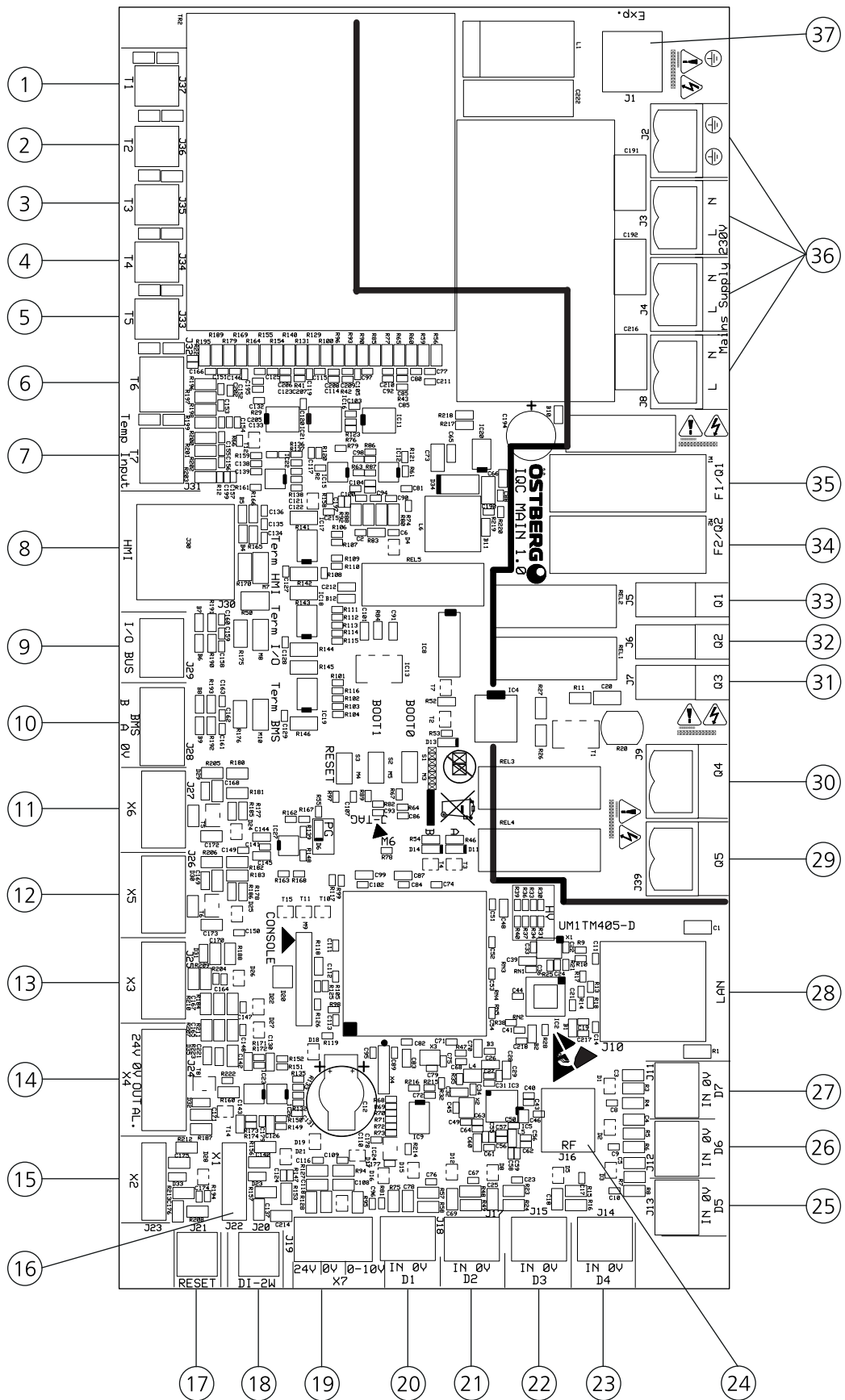
Installation > Installation/Driftsinformation

8 Reglerschema



- ① HERU-aggregat
- ② Rum
- ③ Roterande värmväxlare
- ④ Filter
- ⑤ Reglercentral med reläkort
- ⑥ Elektrisk eftervärmare
- ⑦ Värmebatteri
- ⑧ Kylbatteri
- ⑨ Elektriskt expansionskort

9 Anlutningar huvudkort



Pos.	PCB-etikett	Beskrivning
①	T1	Intern temperaturgivare
②	T2	Intern temperaturgivare
③	T3	Intern temperaturgivare
④	T4	Intern temperaturgivare
⑤	T5	Frysskyddsgivare
⑥	T6	Kanalgivare tilluft (GT7)
⑦	T7	Rumsgivare (GT8)
⑧	HMI	Display port RJ45 (svart)
⑨	I/O Bus	I/O Bus
⑩	BMS	RS 485 Modbus (slav)
⑪	X6	Fövärmare signalutgång
⑫	X5	Eftervärmare signalutgång
⑬	X3	Rotormotor signalutgång
⑭	X4	Värmebatteri signalutgång (Analog ut 0-10V / 24VAC 1,5VA)
⑮	X2	Fläkt 2 signalutgång
⑯	X1	Fläkt 1 signalutgång
⑰	Reset	Extern Reset
⑱	DI-2W	Rotorgivare (HALL)
⑲	X7	RH/CO2/VOC (Analog in 0-10V / 24VAC 1,3VA)
⑳	D1	Brandlarm (Digital in (potentialfri))
㉑	D2	Forcering (Digital in (potentialfri))
㉒	D3	Övertryck (Digital in (potentialfri))
㉓	D4	Förlängd drift (Digital in (potentialfri))
㉔	RF	SMA antenn utgång
㉕	D5	Bortaläge (Digital in (potentialfri))
㉖	D6	Filterlarm (Digital in (potentialfri))
㉗	D7	Förregling elektrisk eftervärmare (Digital in (potentialfri))
㉘	LAN	10/100 Mbit Ethernet RJ-45
㉙	Q5	
㉚	Q4	Spjäll (Digital relä utgång (NO))
㉛	Q3	Triac (Digital relä utgång (NO))
㉜	Q2	Fläkt 2 ström (Digital relä utgång (NO))
㉝	Q1	Fläkt 1 ström (Digital relä utgång (NO))
㉞	F2/Q2	Glassäkring T2.5A 5x20 L250V fläkt 2
㉟	F1/Q1	Glassäkring T2.5A 5x20 L250V fläkt 1
㊱	L/N	Huvudström 230V
	L/N	Huvudström 230V
	L/N	Huvudström 230V
	PE	Huvudström 230V
㊲	Exp.	Expansionskort ström ut

10 Inställningsprotokoll för HERU S och HERU T

Fyll i alla inställningar för framtida behov.

Kringutrustning

Spjäll

Öppningstid: sek

Värmare

Ingen Vatten

Standby temp. °C

Gräns B: °C

Gräns A: °C

Elektrisk Efterkyla

Förvärmare

Ingen Elektrisk

Gräns: °C

Kylbatteri

Ja Nej

Inmatningssignaler

Signaltyp:

Boost Puls Ändra

Borta Puls Ändra

Utökad drift Puls Ändra

Kontaktfunktion:

Brandlarm Ingen NEJ NC

Boost NEJ NC

Övertryck NEJ NC

Utökad drift NEJ NC

Borta NEJ NC

Filter NEJ NC

Fläktreglering

Flödesriktning: Standard Motsatt

Standard fläkthastighet:

Avluft: % Referens: Pa

Tilluft: % Referens: Pa

Min fläkthastighet:

Avluft: % Referens: Pa

Tilluft: % Referens: Pa

Max fläkthastighet:

Avluft: % Referens: Pa

Tilluft: % Referens: Pa

Temperaturreglering

Tilluft Frånluft Rum

Tilluftsgräns min: °C

Tilluftsgräns max: °C

Frånluft S/V Rum S/V

Övergång:

Temp.

Vinter börjar: °C

Sommar börjar: °C

Tidskonstant timmar

Tilluftstemp. förskjutning: K

Datum

Start vinter: (MM-DD)

Start sommar: (MM-DD)

Tilluftstemp. förskjutning: K

Temperaturbörvärde

Tilluft Frånluft Rum

Börvärde maxgräns: °C

Aktivera eko. börvärde Ja Nej

Larmparametrar

Tilluftstemp. låg:

Gräns B: °C Gräns A: °C

Fläktninskning: %

Frys skydd vatten

Hålltemperatur: %

Gräns B: °C Gräns A: °C

Brandparametrar

Sensortyp:

 Ej installerat NEJ NC

Brandläge:

 Fläktar av
 Endast frånluftsfläkt
 Endast tilluftsfläkt
 Båda fläktarna

Forcerad hastighet: %

Automatisk återställning JA NEJ**Larmklass**

Larmprioritet:

Sensor ej ansluten	<input type="checkbox"/> A	<input type="checkbox"/> B
Sensor kortsluten	<input type="checkbox"/> A	<input type="checkbox"/> B
Överhettningsskydd	<input type="checkbox"/> A	<input type="checkbox"/> B
Tilluftstemp.låg	<input type="checkbox"/> A	<input type="checkbox"/> B
Rotortemp. låg	<input type="checkbox"/> A	<input type="checkbox"/> B
Fläktfel	<input type="checkbox"/> A	<input type="checkbox"/> B
Värmeväxlare	<input type="checkbox"/> A	<input type="checkbox"/> B

Varningar larmrelä

Brandlarm	<input type="checkbox"/>
Sensor öppen	<input type="checkbox"/>
Sensor kortsluten	<input type="checkbox"/>
Överhettningsskydd	<input type="checkbox"/>
Frysskydd	<input type="checkbox"/>
Tilluftstemperatur låg	<input type="checkbox"/>
Rotortemperatur låg	<input type="checkbox"/>
Fläktfel	<input type="checkbox"/>
Rotorfel	<input type="checkbox"/>
Avvikelse trumtryck	<input type="checkbox"/>
Pumplarm	<input type="checkbox"/>
Filter	<input type="checkbox"/>
Filtertimer	<input type="checkbox"/>

Filtermätning Timer

Period:månader

 Planerad

Dag: %

Tid: %

 Signal

Forcerad hastighet: %

RH/CO2/VOC Forcering Ja Nej

Sensor 1:

 Ingen RH CO2 VOC

Gräns: %

Namn/Loc:

energy
efficient
ventilation

ÖSTBERG 

H ÖSTBERG AB

Box 54, SE-774 22 Avesta, Sweden

Phone: +46 226 860 00

E-mail: info@ostberg.com

www.ostberg.com



Other languages in digital format can be downloaded at www.ostberg.com

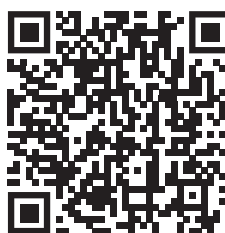
Produsenten kan ikke holdes ansvarlig for skade på personer eller eiendom som er forårsaket av feil ved montering, oppstart og/eller feil bruk av enheten og/eller unnlattelse av å følge prosessene og instruksjonene som er angitt i brukerhåndboken "Drift og vedlikehold". Av sikkerhetsmessige årsaker er det viktig å følge instruksjonene i brukerhåndboken.

Garantien vil bli annullert umiddelbart i tilfelle skade som skyldes manglende overholdelse av instruksjonene. Installasjon og igangkjøring må utføres av fagutdannet personale for at garantien skal gjelde.

Snarveier:

- **Logg inn i Instillingermenyen:** Skriv inn kode 1991.
- **Logg inn i Servicemenyen:** Skriv inn kode 1199.
- **Last ned den nyeste versjonen av programvaren:** [Firmware](#).
- **Last ned den komplette Modbus-registeret:** [Modbus](#).

FIRMWARE



MODBUS



- **Last ned appen:** [HERU IQ App](#)

APPLE



GOOGLE



- **Last ned koblingsskjemaer via produkt linkene nedenfor.**
- **Lenker til produktinformasjon på nettside** www.ostberg.com

HERU S

HERU 100 S EC



HERU 160 S EC



HERU 200 S EC



HERU 300 S EC



HERU T

HERU 100 T EC



HERU 160 T EC



HERU 200 T EC



HERU 300 T EC



	Innhold
1 Sikkerhet	94
Advarsler	94
Generell sikkerhet	94
Produktetikett.....	95
Samsvarserklæring	96
2 Transport og oppbevaring	97
Generelt.....	97
Kontroll av leveransen	97
3 Installasjon	98
3.1 Monteringsprinsipper	99
3.2 Monteringsavstand	100
3.3 Lading av den trådløse skjermen	101
3.4 HERU S	101
3.4.1 Demontering av enheten for å redusere vekten ved installasjon av HERU S.....	101
3.4.2 Installasjon HERU S	103
3.4.3 Flytting av elektrisk varmer for luftsirkulasjon i motsatt retning HERU S.....	105
3.4.4 Montering av delene etter installasjon av HERU S.....	106
3.5 HERU T	107
3.5.1 Demontering av enheten for å redusere vekten ved installasjon av HERU T.....	107
3.5.2 Installasjon HERU T	109
3.5.3 Montering av delene etter installasjon av HERU T.....	113
3.6 Kobling av enheten til strømkilden	115
3.7 Koble Modbus til eksternt reguleringsutstyr	116
4 Avsluttende rutiner	117
5 Idriftsetting	118
5.1 Start av HERU enheten for første gang	118
5.2 Konfigurering av enheten	119
5.3 Tilpasning av enheten for luftstrøm i motsatt retning.....	120
5.4 Konfigurering av enheten til Modbus	120
6 Tekniske data	121
7 Velg Menyoversikt	123
8 Styreskjema	129
9 Tilkoplinger hovedkortet	130
10 Konfigurasjonsprotokoll for HERU S og HERU T	132

1 Sikkerhet

1.1 Advarsler



ADVARSEL!

En advarsel betyr fare for personskader.



FORSIKTIG!

Forsiktig betyr fare for skade på utstyret.

1.2 Generell sikkerhet



ADVARSEL!

Alle elektriske installasjoner må utføres av en autorisert elektriker.



ADVARSEL!

Strømmen til enheten må kuttes i to minutter før arbeidet kan startes.



ADVARSEL!

Kontroller at strømledningen ikke blir skadet under montering og installasjon.



ADVARSEL!

Enheten skal ikke startes før installasjonen er helt ferdig og kanalene er koblet sammen.



ADVARSEL!

Sikkerhetsbryteren må ikke brukes til normal start og stopp av enheten.
Bruk den trådløse skjermen.



ADVARSEL!

Sikkerhetsbryteren må slås av når dekselet til koblingsboksen eller enhetens dører åpnes/ fjernes fra enheten.



ADVARSEL!

Enheten må alltid være utstyrt med en type A eller B, 30 mA jordfeilbryter (RCD).
Enheter uten støpsel må installeres med en sikkerhetsbryter, som må monteres i nærheten.



ADVARSEL!

Enheter med støpsel må sikres med en C10 A sikring.



ADVARSEL!

Enheter uten støpsel må sikres med en 2x10 A sikring sammen med 2,5 mm² ledere.



ADVARSEL!

Alle tiltak på enheten og dens periferiutstyr må utføres i samsvar med lokale lover og forskrifter.



ADVARSEL!

Se opp for skarpe kanter og hjørner på enheten.

**ADVARSEL!**

Vær oppmerksom på vekten av enhet og komponenter under montering og vedlikehold.

**ADVARSEL!**

Roterende, varme og strømførende komponenter kan forårsake alvorlig skade.

**ADVARSEL!**

Ledningskanalene må være tilkoblet og døren må lukkes før du starter enheten.
Fare for personskader fra roterende deler.

**FORSIKTIG!**

Vi anbefaler at du alltid installerer et spjeld med fjærretur i kanalene for friskluft og avtrekksluft.

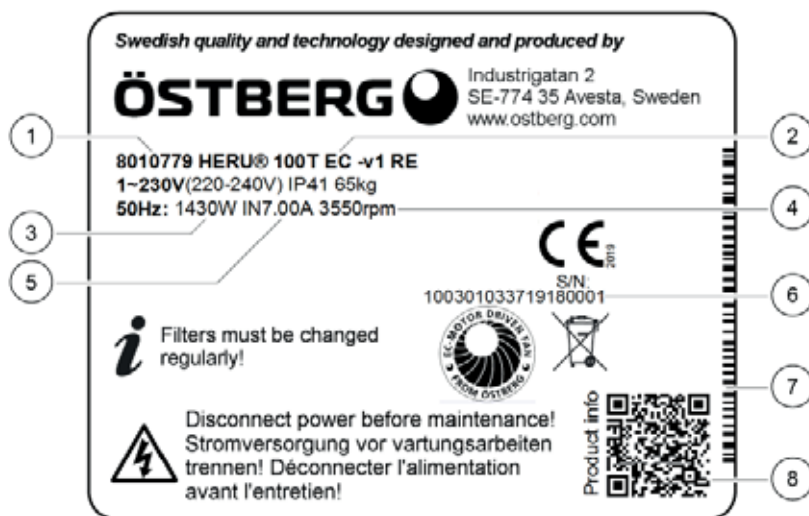
**FORSIKTIG!**

Ikke koble til en utluftningstørketrommel eller tørkeskap til systemet på grunn av den høye luftfuktigheten.

**FORSIKTIG!**

Hvis enheten blir installert når det er kaldt ute/om vinteren, og den ikke umiddelbart blir satt i drift, må kanalene plugges, ellers er det en risiko for kondens- og isdannelse i enheten.

1.3 Produktetikett



Eksempel på produktetikett

- ① Delenummer
- ② Produktnavn
- ③ Maksimal effekt inkludert varmer
- ④ Turtall ved maksimal effekt
- ⑤ Strøm ved maksimal effekt inkludert varmer
- ⑥ Serienummer
- ⑦ Serienummer som strekkode
- ⑧ QR-kode til produktside på nett



EU-FÖRSÄKRAN OM ÖVERENSSTÄMMELSE

Vi intygar härmed att våra produkter uppfyller kraven i nedan angivna EU-direktiv och harmoniserande standarder och förordningar.

Tillverkare: H. ÖSTBERG AB
Industrigatan 2
774 35 Avesta
Tel nr 0226 - 860 00
Fax nr 0226 - 860 05
<http://www.ostberg.com>
info@ostberg.com
Org. nr 556301-2201



Produkter: Dubbelriktad ventilationsenhet RVU: HERU® 95 T EC, HERU® 100 T EC, HERU® 160 T EC, HERU® 200 T EC, HERU® 300 T EC, HERU® 100 S EC, HERU® 160 S EC, HERU® 200 S EC, HERU® 300 S EC, HERU® 70 K EC, HERU® 50 LP EC, HERU® 90 LP EC, HERU® 180 S EC 2, HERU® 250 T EC, HERU® 130 S EC, HERU® 250 S EC
Dubbelriktad ventilationsenhet NRUV: HERU® 400 T EC, HERU® 600 T EC, HERU® 800 T EC, HERU®, 1200 T EC, HERU® 400 S EC, HERU® 600 S EC, HERU® 800 S EC, HERU® 1200 S EC

Denna EU-Försäkran gäller produkter inklusive våra tillbehör för montering och installation endast om installation har skett i enlighet med bifogad installationsanvisning samt att produkten ej har modifierats.

Radioutrustningsdirektivet (RED) 2014/53/EU

Harmoniserade standarder:

- EN 300 220-2:2018 V3.1.1
- EN 303 446-1:2019 (EN 55014-1:2017, A11, EN 55014-2:2015, EN IEC 61000-3-2:2019, EN 61000-3-3:2013, A1)
- EN 301 489-3:2019

Maskindirektivet (MD) 2006/42/EG

Harmoniserande standarder:

- EN ISO 12100:2010
- EN ISO 13857:2019
- EN 60204-1:2018
- EN 60335-1:2012, AC 1, A 13 R1, A 11, A 12, A 13, A 1, A 14, A2
- EN 60335-2-40:2003, A13, A2, A12, A1, A11, C1, C2
- EN 60335-2-30:2010, A11, A1, A12

Ekodesigndirektivet 2009/125/EG

Harmoniserande förordningar:

- 1253/2014 Krav på ekodesign för ventilationsenheter
- 1254/2014 Energimärkning av ventilationsenheter för bostäder

Standarder:

- RVU: SS-EN 13141-7:2010 eller NRUV: SS-EN 13053:2019

RoHS-Direktivet 2011/65/EU

Harmoniserande standarder:

- EN IEC 63000:2018

Avesta 2021-03-17

Mikael Östberg
Product Manager

2 Transport og oppbevaring

2.1 Generelt

HERU enheten må oppbevares på et beskyttet og tørt sted før montering.

2.2 Kontroll av leveransen

1. Inspiser enheten nøye ved levering for å se etter eventuelle skader som kan ha oppstått under transport. Informere straks produsenten i tilfelle alvorlig skade.

MERK! Produsenten kan ikke holdes ansvarlig for skade på enheten under transport, selv om produsenten har valgt transportøren.

2. Kontroller at leveransen inneholder alle bestilte deler.

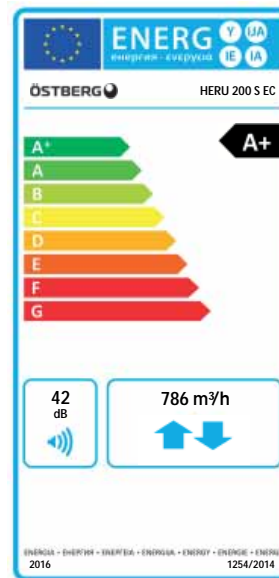
Følgende deler vil være med i HERU leveransen:

- Montert HERU enhet
- Etiketter:
 - Luftretningsetiketter



(kun HERU T 100/160)

- Energimerke (eksempel)



- Ledninger:
 - Antennekabel
 - GT7 kabel (kun for HERU S)
 - Ledningssett med støpsel (unntatt HERU S 200/300 og HERU T 200/300)
- 2 filtre
- Berørings skjerm/trådløs skjerm
- Veggkonsoll for enheten (kun for HERU T 100/160)
- Veggkonsoll for skjermen
- Lader
- Vibrasjonsdemper x2 (HERU T 100), x3 (HERU T 160)
- Antenne og antennebrakett
- Informasjonsark (kun for HERU S)
- Bruksanvisning for installasjon
- Bruksanvisning for drift og vedlikehold

3. Kontakt forhandleren hvis noe mangler.

3 Installasjon

**ADVARSEL!**

Strømmen til enheten må avbrytes før du starter arbeidet.

**ADVARSEL!**

Sørg for at strømmen er slått av under hele monteringsprosessen.

**ADVARSEL!**

Enheten skal ikke startes før installasjonen er helt ferdig og kanalene er koblet sammen.

**ADVARSEL!**

Alle elektriske installasjoner må utføres av en autorisert elektriker.

**ADVARSEL!**

Sikkerhetsbryteren må slås av eller støpslet trekkes ut når dekslet til koblingsboksen eller enhetens dører åpnes/fjernes fra enheten.

**ADVARSEL!**

Alle tiltak på enheten og dens periferiutstyr må utføres i samsvar med lokale lover og forskrifter.

**ADVARSEL!**

Roterende, varme og strømførende komponenter kan forårsake alvorlig skade.

**FORSIKTIG!**

Ikke koble til en utluftningstørketrommel eller tørkeskap til systemet på grunn av den høye luftfuktigheten.

**FORSIKTIG!**

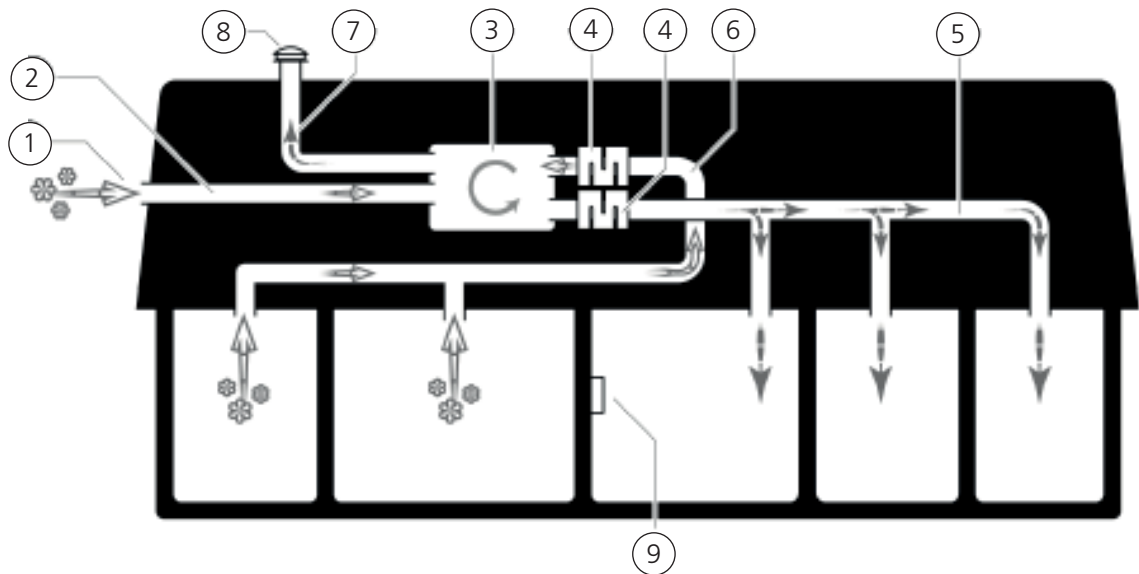
Hvis enheten blir installert når det er kaldt ute/om vinteren, og den ikke umiddelbart blir satt i drift, må kanalene plugges, ellers er det en risiko for kondens- og isdannelse i enheten.

**FORSIKTIG!**

Installasjon og igangkjøring må utføres av fagutdannet personale for at garantien skal gjelde.

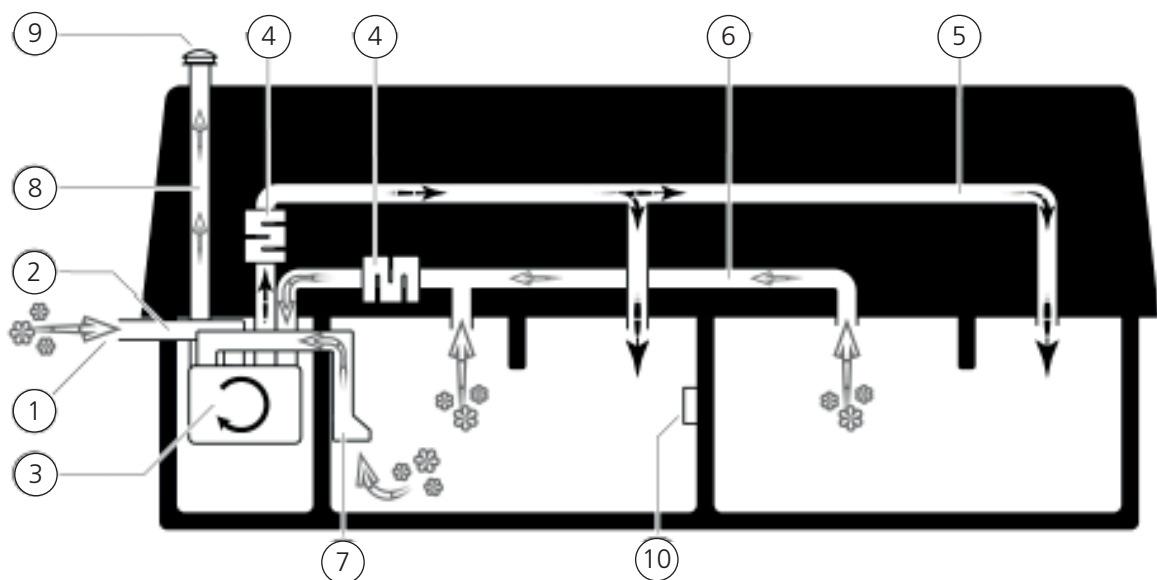
3.1 Monteringsprinsipper

HERU S plasseres på et kaldt eller varmt sted, for eksempel på loftet.



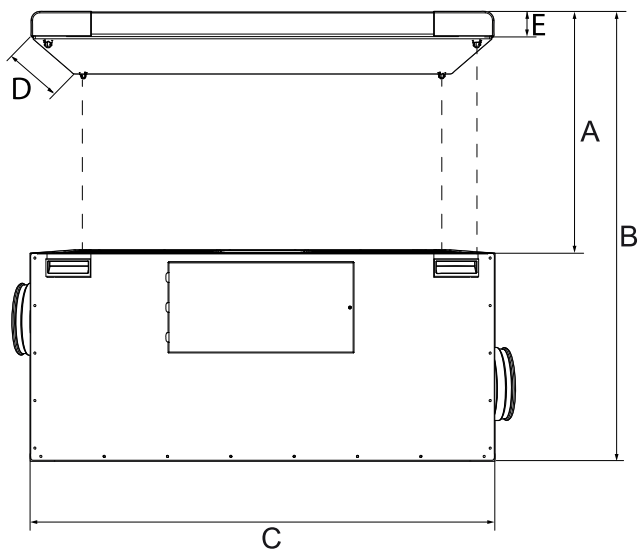
- | | | | |
|---|--------------------------------|---|------------------------|
| ① | Inntaksrist for frisk luft | ⑥ | Avtrekksluftkanal |
| ② | Friskluftkanal | ⑦ | Avkastlufts kanal |
| ③ | HERU S energigjenvinningsenhet | ⑧ | Takhatt for avkastluft |
| ④ | Lyddempere | ⑨ | Trådløst IQC display |
| ⑤ | Tilluftskanal | | |

HERU T plasseres på varm plass, t.ex tvättstuga.



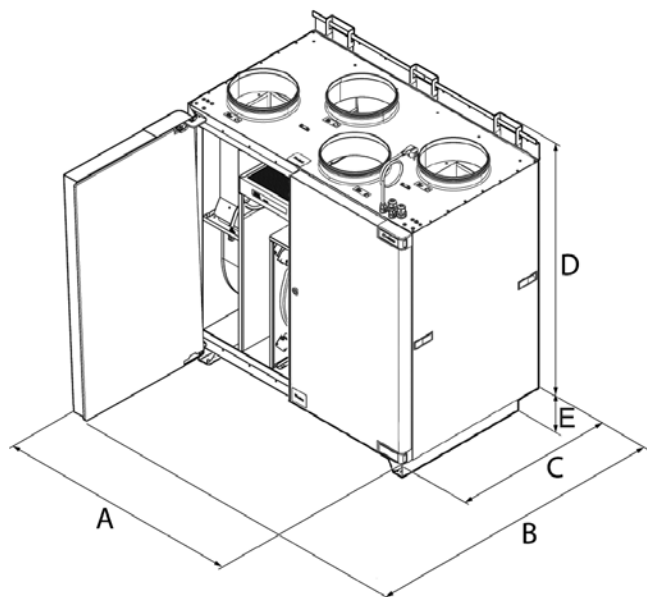
- | | | | |
|---|--------------------------------|---|---------------------------|
| ① | Inntaksrist for frisk luft | ⑥ | Avtrekksluftkanal |
| ② | Friskluftkanal | ⑦ | Kjøkkenhette avtrekksluft |
| ③ | HERU T energigjenvinningsenhet | ⑧ | Avkastlufts kanal |
| ④ | Lyddempere | ⑨ | Takhatt for avkastluft |
| ⑤ | Tilluftskanal | ⑩ | Trådløst IQC display |

3.2 Monteringsavstand



Monteringsavstand for HERU S

Modell (mm)	A	B	C	D	E
HERU 100 S EC	415	850	969	507	51
HERU 160 S EC	519	1038	1131	574	51
HERU 200 S EC	728	1456	1250	680	51
HERU 300 S EC	728	1456	1250	680	51



Monteringsavstand for HERU T

Modell	A	B	C	D	E
HERU 100 T EC RE/LE	796	990	492	759	–
HERU 160 T EC RE/LE	942	1130	559	919	–
HERU 200 T EC RE/LE	1124	1344	682	1135	100
HERU 300 T EC RE/LE	1124	1344	682	1135	100

3.3 Lading av den trådløse skjermen

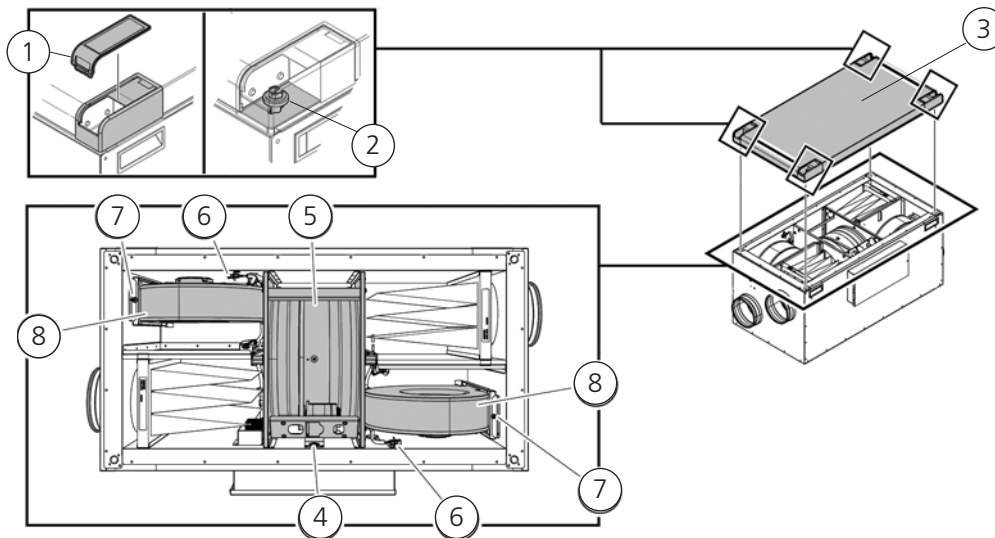
Forberedelser:

Ingen forberedelser er nødvendig.

1. Koble laderens mini-USB-kontakt til den trådløse skjermen.
2. Koble laderen til stikkkontakten.

3.4 HERU S

3.4.1 Demontering av enheten for å redusere vekten ved installasjon av HERU S.



Metode for demontering av enhet.

- ① Plastdeksel
- ② Skruer
- ③ Enhetens deksel
- ④ Hurtigkobling for rotorkassett
- ⑤ Rotorkassett
- ⑥ Hurtigkobling for vifte
- ⑦ Torxskruer T25
- ⑧ Vifte

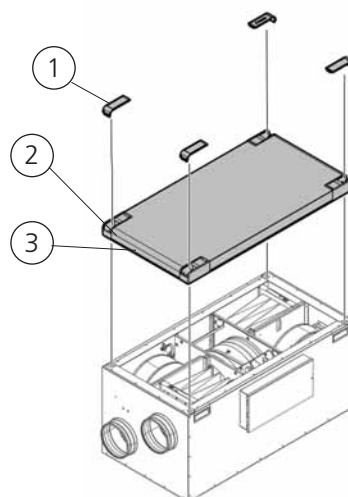
Forberedelser:

Verktøy

- Torx skrutrekker T25
 - Flat skrutrekker/13 mm holder
- Ingen andre forberedelser er nødvendig.

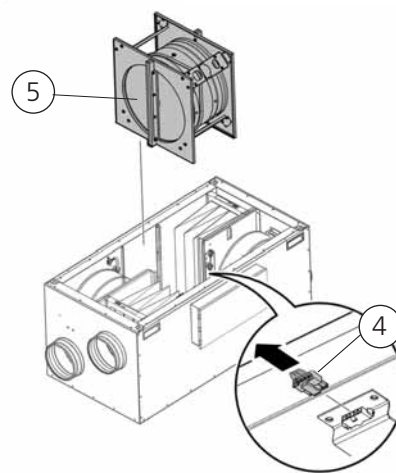
Fjern dekselet til enheten.

- ① Fjern plasthjørnedekselet .
- ② Skru ut skruene som holder enhetsdekselet.
- ③ Løft av dekselet.



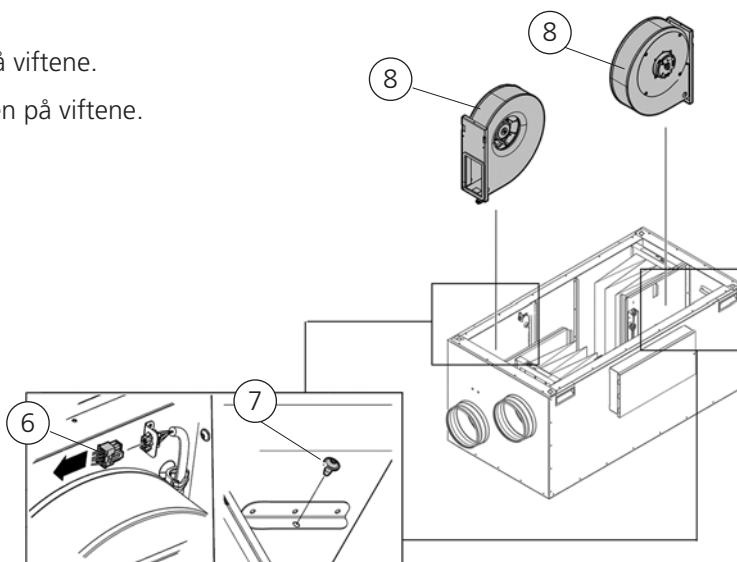
Fjern rotorkassetten.

- ④ Koble fra rotorkassetts hurtigkobling.
- ⑤ Ta ut rotorkassetten.



Ta ut fläktarna.

- ⑥ Løsne hurtigfestene på viftene.
- ⑦ Skru ut Torx T25-skruen på viftene.
- ⑧ Ta ut viftene.



3.4.2 Installasjon HERU S



FORSIKTIG!

En avtrekkshette må ikke kobles til enheten på grunn av økt rengjøringsbehov.

Forberedelser:

- Plasser isolasjonsplaten på installasjonsflaten.
- Monteringsavstanden, se **3.2 Monteringsavstand**, må følges.
- HERU S kan monteres på et kaldt eller varmt sted.
- Lokale forskrifter for plassering, tilgang og elektriske tilkoblinger må følges når du installerer HERU S.
- Dimensjonerende luftstrøm bør ikke overstige 75 % av enhetens maksimale kapasitet.
- Ved montering på varme og fuktige steder, for eksempel et bad eller vaskerom, kan det oppstå kondens på utsiden av enheten ved lave utetemperaturer. Hvis enheten blir installert i kaldt vær og ikke umiddelbart blir satt i drift, må kanalene plugges på nytt, ellers er det en risiko for kondens.
- Vi anbefaler at du alltid installerer et spjeld med fjærretur i kanalene for friskluft og avkastluft.
- Hvis det er store forskjeller mellom omgivelsestemperatur og temperaturen i kanalene for tilluft og avtrekksluft, må disse isoleres for å hindre kondens.
- Frisklufts- og avkastluftskanalen må alltid isoleres mot kondens.
- Kanalene må isoleres hele veien frem til enheten.

Verktøy

- Ø9 mm bor
- Vaterpass
- Torx skrutrekker T25

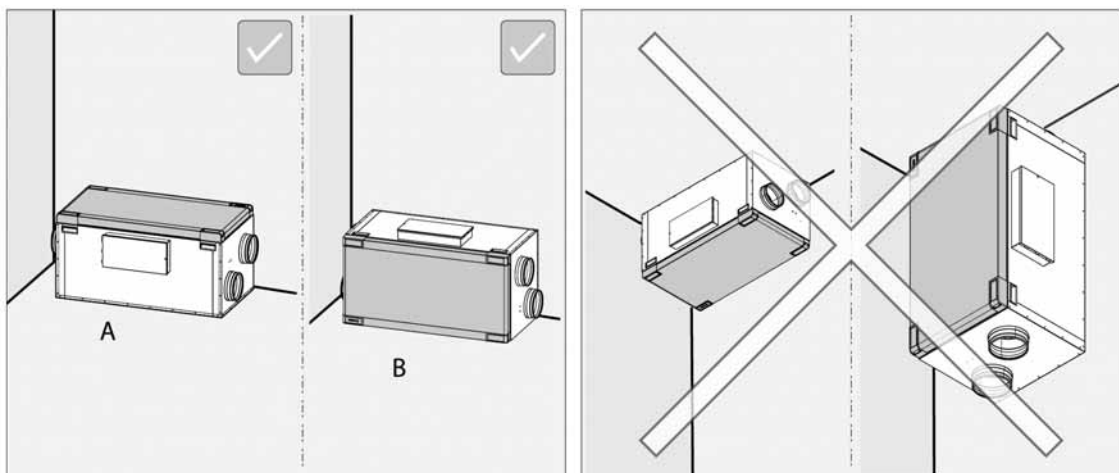
Materiale - HERU 100 og 160 S

- Isolasjonsplate, minimum 50 mm.
- Kabelstrips

Materiale - gulvmontert HERU 200 og 300 S

- Isolasjonsplate, minimum 50 mm.
- Kabelstrips
- Gulvstativ (tilgjengelig som tilbehør)
- Rørklips eller flens med utenpåliggende isolasjon

1. Montering av HERU S med dekselet oppover (A) eller til siden (B).



ADVARSEL!

Ikke monter enheten vertikalt eller med døren nedover på grunn av fare for personskader.

MERK! Sørg for at det er plass til service og vedlikehold rundt enheten.
Se **3.2 Monteringsavstand**.

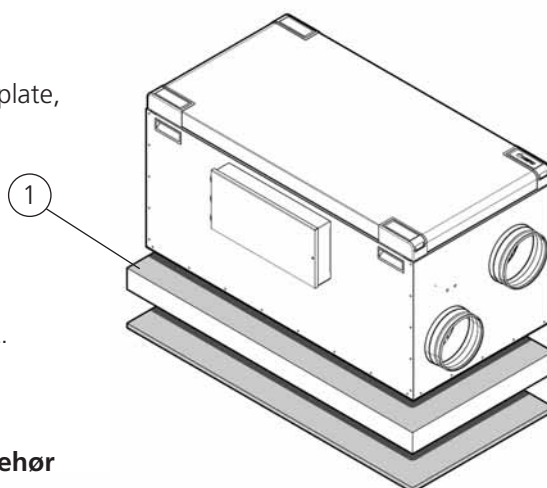
Gulvmontert HERU 100 og 160 S

- ① Plasser enheten på et støtbestandig isolasjonsplate, minimum 50 mm.

Kontroller at enheten er i vater både i x- og y-retningene.
Bruk et vaterpass.

MERK!

Fundamentet for enheten må være jevnt og stabilt.

**Gulvmontert HERU 200 og 300 S med gulvstativ som tilbehør**

- ② Plasser enheten på et støtbestandig isolasjonsplate, minimum 50 mm.

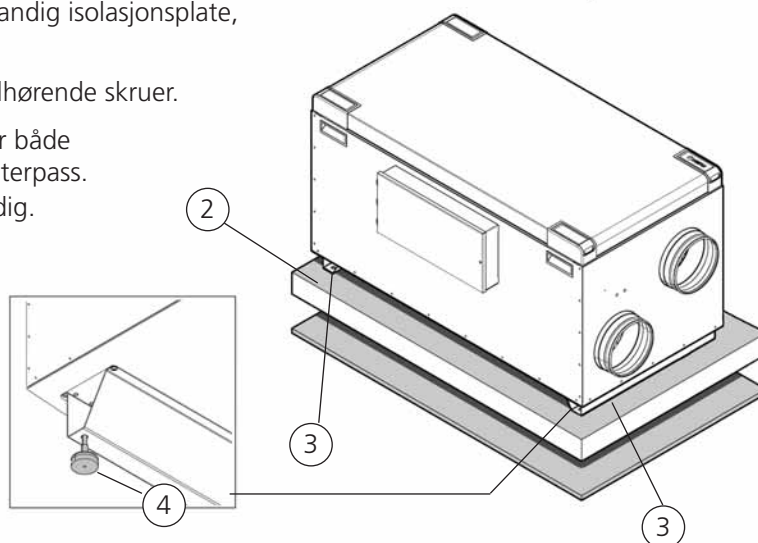
- ③ Monter føttene (pos 1) med tilhørende skruer.

- ④ Kontroller at enheten er i vater både i x- og y-retningene. Bruk et vaterpass.
Juster stillskruene om nødvendig.

MERK!

Fundamentet for enheten må være jevnt og stabilt.

Novibra tilbehørsmatte kan plasseres under føttene for å minimere vibrasjoner fra gulvbjelkene.

**Koble kanalene til enheten.**

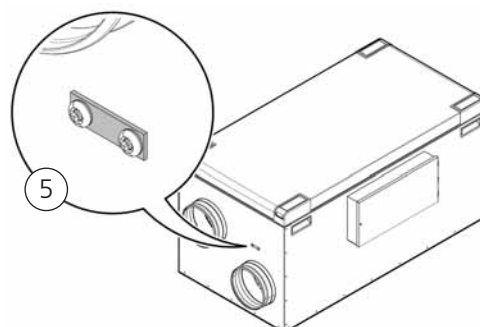
2. Bruk et rørklips eller flens med utenpåliggende isolasjon.
3. Monter kanalføleren GT7 i tilluftskanalen. Se **9 Styreskjema**.
 - Forberedelse av kanalen. Bor et Ø9 mm hull. bor det ca. 1000 mm etter enhet, kjøle- eller varmebatteri.
 - Trekk kabelen gjennom kabelmuffen.
 - Monter føleren i det borede hullet. Kanalføleren må sitte midt i kanalen.
 - Fest kanalføleren. Monter et kabelstrips rundt kabelmuffen.
4. Fest antennen på et egnet sted på siden av enheten. Fest antennen så sentralt som mulig for å få best mulig signal i bygningen. En skjøteledning kan om nødvendig fås som ekstrautstyr.

**FORSIKTIG!**

Antennen må ikke festes mot metalloverflater eller -gjenstander, da dette vil blokkere signalet.

5. Hvis en varmebattert er tilkoblet, må et fjærbelastet spjeld monteres i kanalene for friskluft og avkastluft. Dette reduserer risikoen for isdannelse når enheten ikke er i bruk.

- ⑤ Koble kanalene til en av de eksterne jordingspunktene på enheten.



3.4.3 Flytting av elektrisk varmer for luftsirkulasjon i motsatt retning

MERK!

Enheten er konfigurert for luftsirkulasjon i standardretningen ved levering.

Den elektriske varmeren må flyttes dersom luftsirkulasjon må endres til motsatt retning.

Forberedelser:

Verktøy

- Torx T25 skrutrekker

Ingen andre forberedelser er nødvendig.

① Koble fra hurtigkoblingen.

② Skru ut skruen.

③ Fjern varmeren fra skilleveggen.

④ Løft ut varmeren.

⑤ Flytt den til motsatt side på den andre skilleveggen.
Kontroller at braketten på høyre side av varmeren er plassert i konsollen.

⑥ Fest varmeren med skruen.

⑦ Koble hurtigkoblingen.

Flytt strømforsyningskabelen for varmeren på kretskortet i henhold til koblingskjemaet.

MERK!

Hvis du vil ha mer informasjon om hvordan du konfigurerer enheten for motsatt strømningsretning, se **5.3 Tilpasning av enheten for luftstrøm i motsatt retning**.

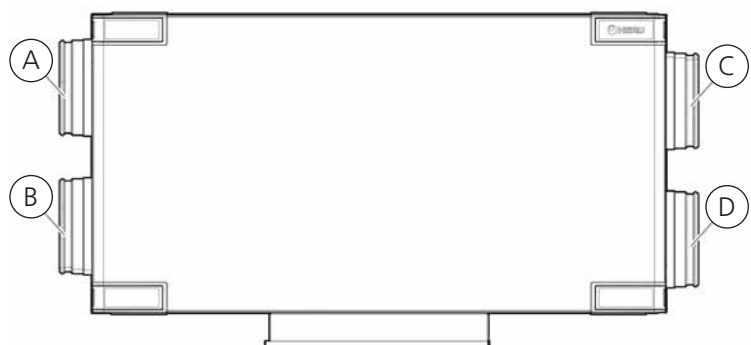
Kanaltilkoblinger ved motsatt strømningsretning.

① Tilluft

② Avtrekksluft

③ Frisk luft

④ Avkastluft



Bytt etikettene for strømningsretningen på HERU S-enheten til fire nye etiketter fra tilbehørboksen. Plasser dem i henhold til figuren, for motsatt strømningsretning.

3.4.4 Montering av delene etter installasjon av HERU S

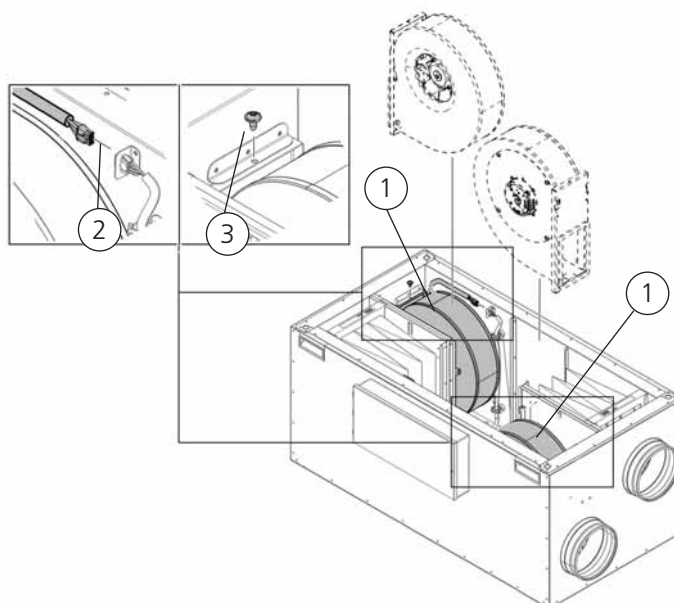
Forberedelser:

Verktøy

- Torx T25 skrutrekker
- Ingen andre forberedelser er nødvendig.

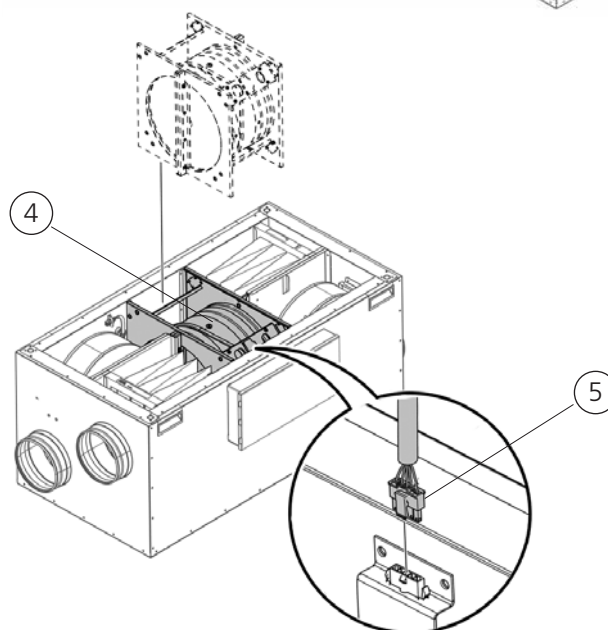
Sett inn viftene på nytt.

- ① Løft viftene ned.
- ② Fest viftene med Torx T25 skruer.
- ③ Koble viftenes hurtigfester.



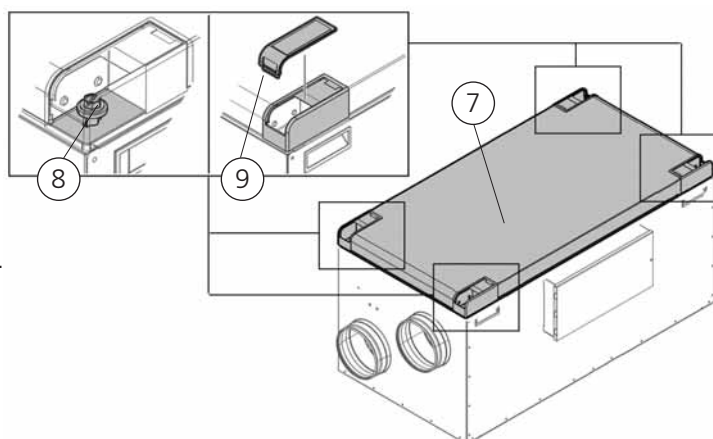
Sett inn rotorkassetten på nytt.

- ④ Løft rotorkassetten ned.
- ⑤ Koble rotorkassetts hurtigkobling.



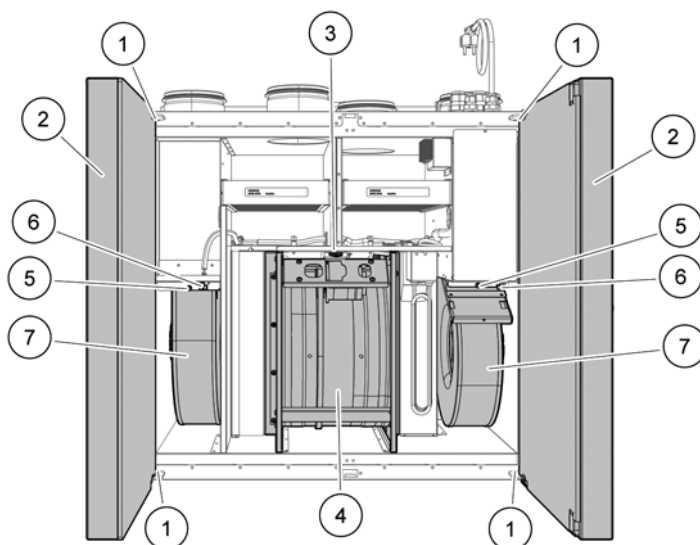
Sett på dekelet til enheten.

- ⑦ Plasser lokket på enheten.
- ⑧ Stram skruene med klokken.
- ⑨ Klikk på hjørnedekslet av plast.



3.5 HERU T

3.5.1 Demontering av enheten for å redusere vekten ved installasjon av HERU T



Metode for demontering av enhet.

- ① Øvre og nedre dørbolt
- ② Enhetens dører
- ③ Rotorkassetten hurtigkobling
- ④ Rotorkassett
- ⑤ Torxskruer T25
- ⑥ Hurtigkobling
- ⑦ Vifter

Forberedelser:

Verktøy

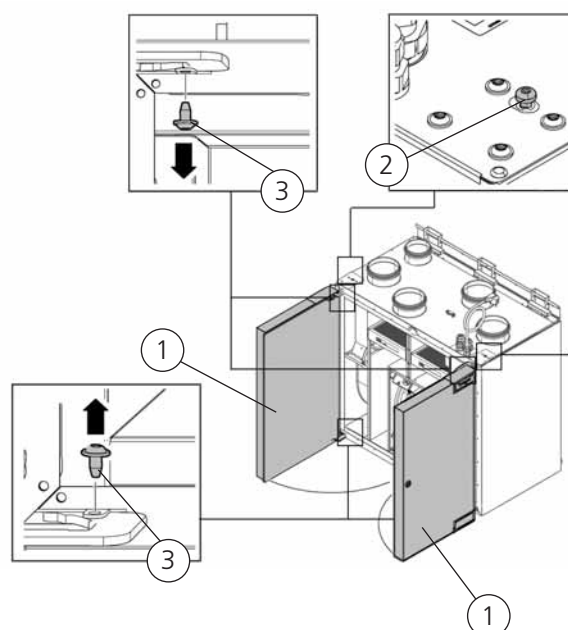
- Torx T25 skrutrekker
- Flat skrutrekker
- Sekskantnøkkel 4 mm med kuleende

Ingen andre forberedelser er nødvendig.

Demonter dørene på enheten.

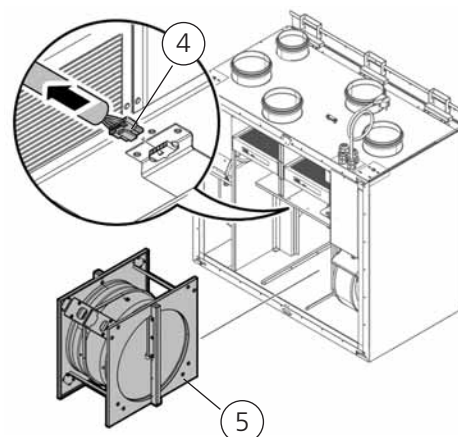
- ① Åpne dørene på enheten.
- ② Skru ut skruene.
- ③ Hold døren, og fjern de øvre og nedre skruer

Trekk døren utover for å løsne den fra enheten.



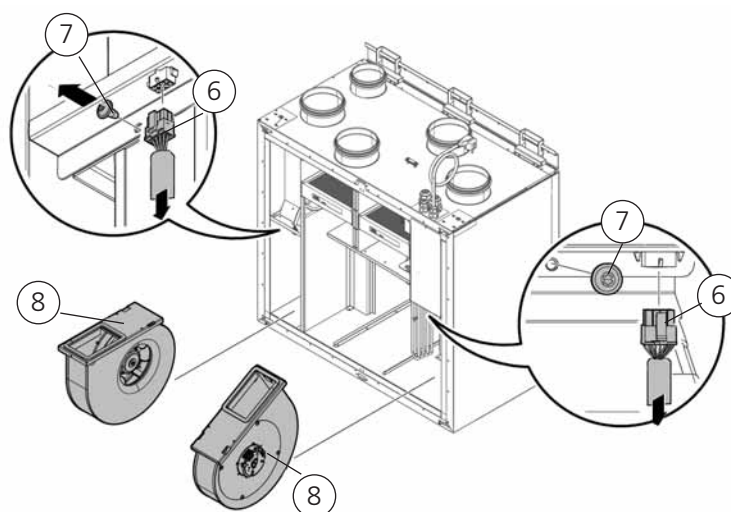
Ta ut rotorkassetten.

- ④ Løsne rotorkassetten hurtigkobling.
- ⑤ Trekk ut rotorkassetten.



Ta ut viftene.

- ⑥ Løsne viftenes hurtigkoblinger .
- ⑦ Skru ut Torx T25-skruen på viftene.
- ⑧ Trekk ut viftene.



3.5.2 Installasjon HERU T

Forberedelser

- Monteringsavstanden, se **3.2 Monteringsavstand**, må følges.
 - HERU T må monteres på et varmt sted.
 - Lokale forskrifter for plassering, tilgang og elektriske tilkoblinger må følges når du installerer HERU T.
 - Dimensjonerende luftstrøm bør ikke overstige 75 % av enhetens maksimale kapasitet.
 - Ved montering på varme og fuktige steder, for eksempel et bad eller vaskerom, kan det oppstå kondens på utsiden av enheten ved lave utetemperaturer. Hvis enheten blir installert i kaldt vær og ikke umiddelbart blir satt i drift, må kanalene plugges på nytt, ellers er det en risiko for kondens.
 - Hvis det er store forskjeller mellom omgivelsestemperatur og temperaturen i kanalene for tilluft og avtrekksluft, må disse isoleres for å hindre kondens.
 - Frisklufts- og avkastluftskanalen må alltid isoleres mot kondens.
 - Kanalene må isoleres hele veien frem til enheten.
- Ingen andre forberedelser er nødvendig.

Verktøy

- Vaterpass
- Skrutrekker Torx T25

Materiale - veggmontert HERU 100 og 160 T

- Festmidler som er egnet for konstruksjon og tilstand til veggen
- Rørklips eller flens med utenpåliggende isolasjon

Materiale - gulvmontert HERU 160 T

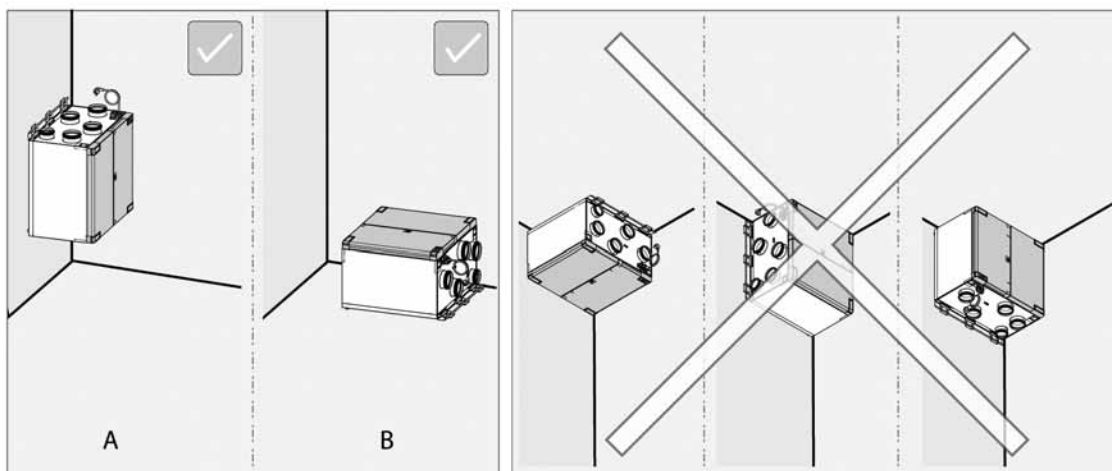
- Gulvstativ (tilgjengelig som tilbehør)
- Rørklips eller flens med utenpåliggende isolasjon

Materiale - gulvmontert HERU 200 og 300 T

- Rørklips eller flens med utenpåliggende isolasjon

Veggmontert HERU 100 og 160 T

1. Monter HERU T med kanaltilkoblingene oppover (A) eller til siden med dørene oppover (B).

**ADVARSEL!**

Ikke installer enheten med kanaltilkoblingene eller dørene ned mot bakken på grunn av risikoen for skader.

**FORSIKTIG**

Enheden må monteres på en isolert vegg. Unngå vegger mot soverom.

MERK! Sørg for at det er plass til service og vedlikehold. Se **3.2 Monteringsavstand**.

- ① Fest selvklebende gummiputer i det bakre nedre hjørnet med en gummi pute i hvert nedre hjørne (HERU 100, 160 T) og én i midten (HERU 160 T).

- ② Fjern skruene (3 skruer for HERU 100 T, 4 skruer for HERU 160 T) og fjern veggbraketten fra HERU-enheten.

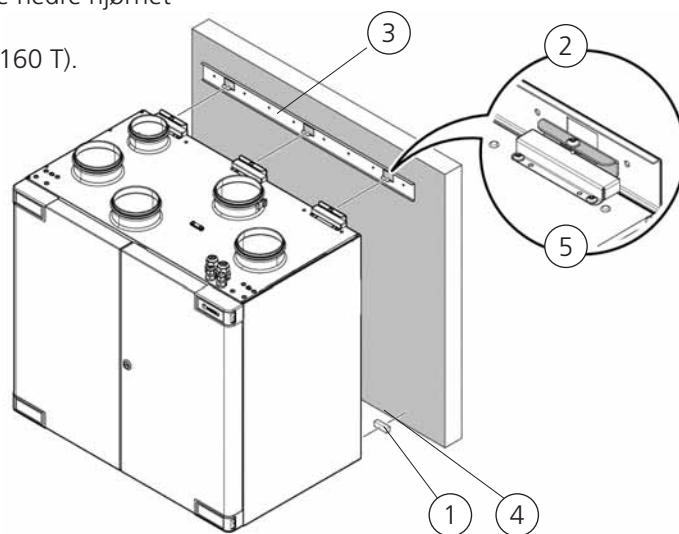
- ③ Fest veggbraketten horisontalt på den isolerte veggen med riktig antall og type festemidler. Skruetullet i veggbraketten må være plassert 27 mm over toppen av enheten.

2. Vinkle den nedre delen av enheten vekk fra veggen, heng enheten på braketten og la enhetens nedre del hvile mot veggen.

3. Juster enheten sidelengs for å oppnå riktig posisjon.

- ④ Sørg for at de selvklebende gummiputene har god kontakt med veggen.

- ⑤ Fest enheten på veggbraketten med de medfølgende skruene (3 skruer for HERU 100 T, 4 skruer for HERU 160 T).



Gulvmontert HERU 160 T med gulvstativ som tilbehør

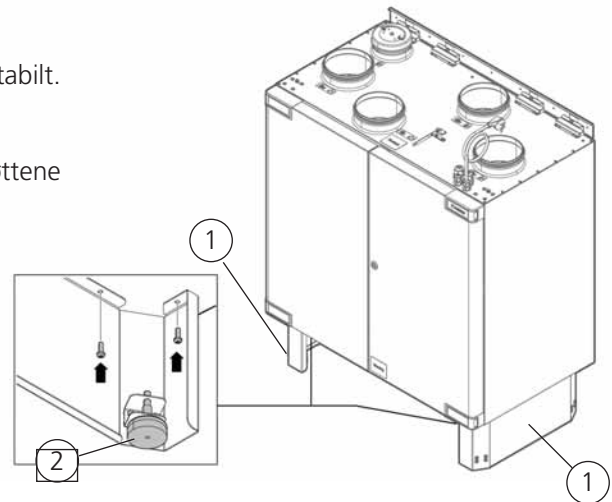
MERK!

Fundamentet for enheten må være jevnt og stabilt.

MERK!

Novibra tilbehørsmatte kan plasseres under føttene for å minimere vibrasjoner fra gulvbjelkene

- ① Monter gulvstativen med tilhørende skruer.
- ② Kontroller at enheten er i vater både i x- og y-retningene. Bruk et vaterpass. Juster stillskruene om nødvendig.



Gulvmontert HERU 200 og 300 T inkl. gulvstativ

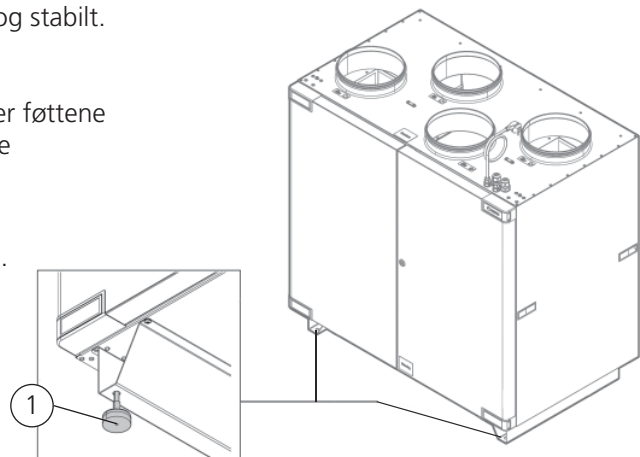
MERK!

Fundamentet for enheten må være jevnt og stabilt.

MERK!

Novibra tilbehørsmatte kan plasseres under føttene for å minimere vibrasjoner fra gulvbjelkene

- ① Kontroller at enheten er i vater både i x- og y-retningene. Bruk et vaterpass. Juster stillskruene om nødvendig.



Kjøkkenhette

HERU 100 og 160 T er utstyrt med tilkobling til kjøkkenhette som standard, der luften fra kjøkkenhetten ikke går gjennom et filter eller den roterende varmeveksleren. Når du aktiverer kjøkkenhetten, startes HERU-enhetens forhåndsdefinerte boost-modus, og det blir sugd ut fra kjøkkenhetten.

Kjøkkenhetten må:

- være utstyrt med spjeld. Kjøkkenhetten må IKKE ha en integrert vifte.
- være koblet til enheten via en to-leder, 0,75 mm² kabel.
- være utstyrt med en spenningsfri kontakt som slutter kretsen når kjøkkenhetten er aktivert.

Hvis en kjøkkenhette skal kobles til systemet, må det isolerte dekselet demonteres fra kjøkkenhettetilkoblingen, og en kanal fra kjøkkenhette monteres i stedet.



ADVARSEL!

Sørg for at installasjonen oppfyller lokale og nasjonale krav til brannsikkerhet.



FORSIKTIG!

Kjøkkenhette koblet til HERU T må IKKE ha en innebygd vifte.



FORSIKTIG!

Kjøkkenhette må IKKE kobles til HERU 200 og 300 T.

1. Monter kjøkkenhetten i henhold til produsentens anvisninger.
2. Trekk en 2-leder kabel fra kjøkkenhetten inn i HERU enheten gjennom en av de ledige kabelmuffene i toppen av enheten.
3. Koble kjøkkenhetten til systemet ved å demontere det isolerte dekselet på oversiden av enheten.
4. Monter en kanal fra kjøkkenhetten på enhetens kanalstuss, merket med kjøkkenhette.
5. Skru av mutteren på kabelmuffen og fjern en av muffens plugger.
6. Trekk gjennom en passende lengde kabel for å koble til kretskortet.
7. Trekk ut den avtakbare klemmen posisjon D2, og koble kabelen fra kjøkkenhetten til den.
8. Deretter trykker du tilbake klemmen i posisjon D2.

Ingen ytterligere tiltak er nødvendig

Koble kanalene til enheten.

1. Bruk et rørklips eller flens med utenpåliggende isolasjon.



FORSIKTIG!

Kontroller at kanalene er koblet i riktig posisjon på HERU-enheten.

2. Fest antennen på et egnet sted på siden av enheten. Fest antennen så sentralt som mulig for å få best mulig signal i hele bygningen. En skjøteledning kan om nødvendig fås som ekstrautstyr.

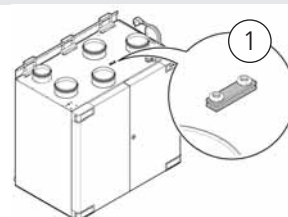


FORSIKTIG!

Antennen må ikke festes mot metalloverflater eller -gjenstander, da dette vil blokkere signalet.

3. Hvis en varmebatteri er tilkoblet, må et fjærbelastet spjeld monteres i kanalene for friskluft og avkastluft. Dette reduserer risikoen for isdannelse når enheten ikke er i bruk.

4.  Koble kanalene til det eksterne jordpunktet på enheten.



3.5.3 Montering av delene etter installasjon av HERU T

Forberedelser:

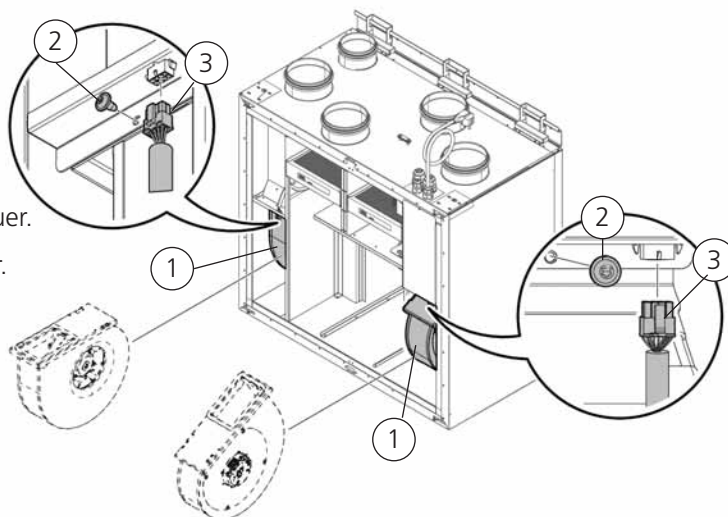
Ingen forberedelser er nødvendig.

Verktøy

- Torxskrutrekker T25
- Sekskantnøkkel 4 mm med kuleende

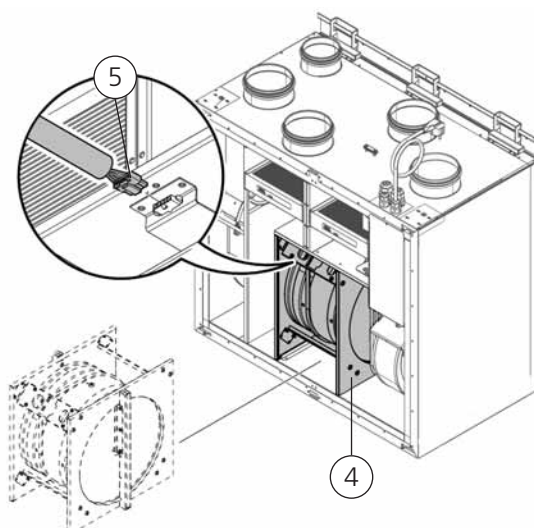
Sett inn viftene på nytt.

- 1 Sett inn viftene.
- 2 Fest viftene med Torx T25 skruer.
- 3 Koble viftenes hurtigkoblinger.



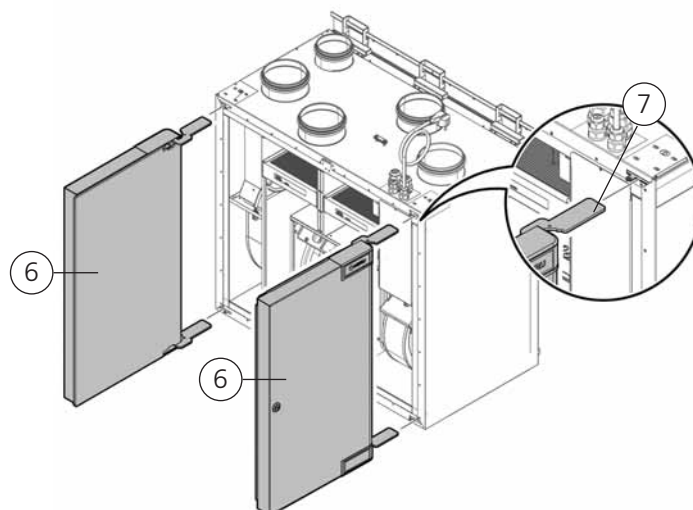
Sett inn rotorkassetten på nytt.

- 4 Skyv inn rotorkassetten i enheten.
- 5 Koble rotorkassettenes hurtigkobling.



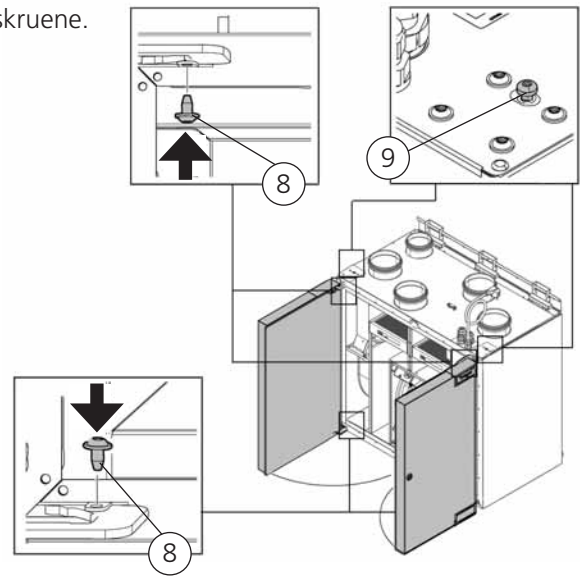
Sett inn dørene på nytt.

- 6 Fest dørene på enheten.
- 7 Trykk inn dørhengslene i enhetens hengselbrakett.



- ⑧ Hold dørene og trekk til de øvre og nedre skruene.
- ⑨ Skru deretter låseskruene i.

Lukk dørene til enheten.



3.6 Kobling av enheten til strømkilden

**ADVARSEL!**

Enheter må alltid være utstyrt med en type A eller B, 30 mA jordfeilbryter (RCD). Enheter uten støpsel må installeres med en sikkerhetsbryter, som må monteres i nærheten.

**ADVARSEL!**

Enheter med støpsel må sikres med en C 10 A sikring.

**ADVARSEL!**

Enheter uten støpsel må sikres med en 2x10 A sikring sammen med 2,5 mm² ledere.

**ADVARSEL!**

Alle elektriske installasjoner må utføres av en autorisert elektriker.

**ADVARSEL!**

Sikkerhetsbryteren må ikke brukes til normal start og stopp av enheten. Bruk den trådløse skjermen.

**ADVARSEL!**

Kontroller at strømledningen ikke blir skadet under montering og installasjon.

**ADVARSEL!**

Alle tiltak på enheten og dens periferiutstyr må utføres i samsvar med lokale lover og forskrifter.

**ADVARSEL!**

Sørg for at det ikke er noen løse deler inne i enheten, og at dørene er lukket og låst før du slår på strømmen.

Forberedelser:

Ingen forberedelser er nødvendig.

1. Hvis enheten har et støpsel, må en C10 A sikring brukes.
2. Hvis enheten ikke har et støpsel, må det brukes en 2x10A sikring sammen med 2,5 mm² ledere (varmer og energigjenvinningsenhet).
3. Monter en sikkerhetsbryter nær enheten.

MERK!

Sikkerhetsbryteren må ikke brukes til normal start og stopp av enheten. Bruk den trådløse skjermen.

3.7 Koble Modbus til eksternt reguleringsutstyr

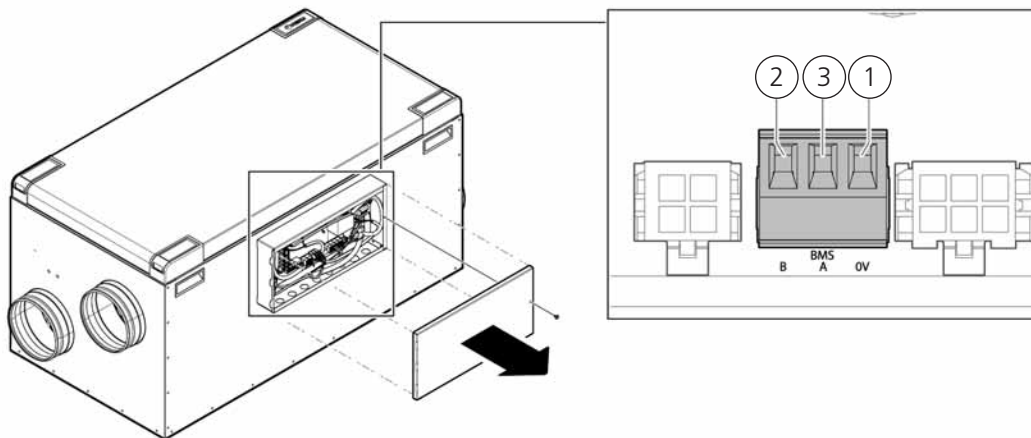
Forberedelser:

- Det eksterne reguleringsutstyret må ha støtte for dataprotokollen Modbus RTU, som brukes til RS485 for å kommunisere med enheten.

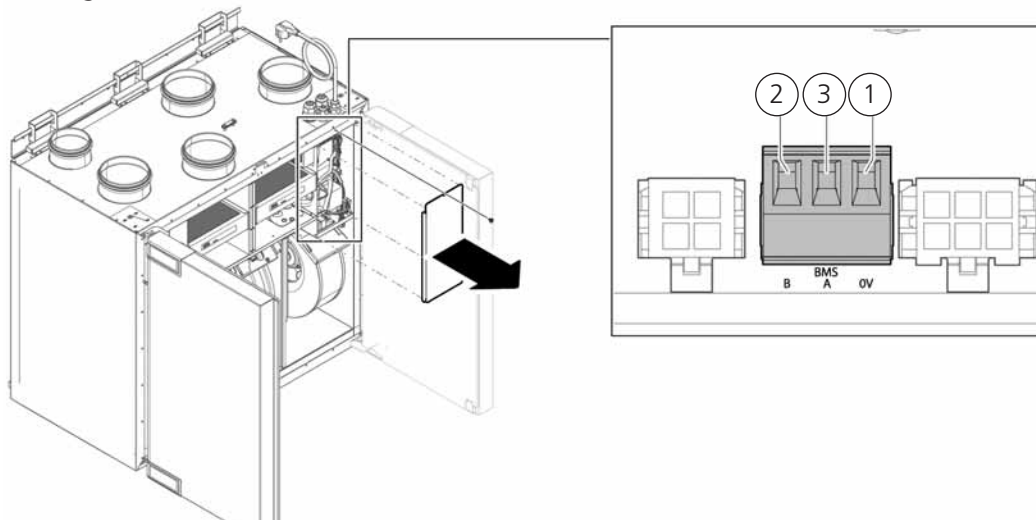
Verktøy

- Torxskrutrekker T25
- Flat skrutrekker (kun HERU T)

Kobling av Modbus til HERU S.



Kobling av Modbus til HERU T.



- 1 Koble GND til 0.



FORSIKTIG!

Hvis det ikke er koblet en leder til klemme 0, kan spenningen potensielt skade utstyret.

- 2 Koble Rx-/Tx- til B.
- 3 Koble Rx+/Tx+ til A.

MERK!

Hvis du vil ha mer informasjon om hvordan du konfigurerer enheten for motsatt strømningsretning, se **5.4 Konfigurering av enheten til Modbus**.

4 Avsluttende rutiner

Forberedelser:

Ingen forberedelser er nødvendig.

1. Sørg for at det ikke er noen løse deler inne i enheten, og at dekslet/dørene på enheten er lukket og låst.
2. Kontroller at produktet er i drift og at alarmer ikke er aktiv.
3. Hvis det er mulig, lagrer du en sikkerhetskopi av innstillingene.
4. Hvis mulig kobler du til programvaren og kobler fra terminalen.
5. Ta vare på alt verktøy.
6. Varsle relevante personer om at arbeidet er fullført.
7. Følg rutinen for retur og kassering av erstattede deler og emballasjemateriale.

5 Idriftsetting



ADVARSEL!

Enhetens kanaler må være tilkoblet, deksler/dører lukket og skruene strammet før enheten settes igang for å unngå fare for personskader fra roterende deler.



ADVARSEL!

Filtrene må installeres før enheten brukes.

For informasjon om service menyen, se **7 Velg Menyoversikt**.

Hvis du vil ha informasjon om aktiv visning på den trådløse skjermen, trykker du på **i**-knappen på statuslinjen i displayet.

5.1 Start av HERU enheten for første gang

Förberedelser:

Ingen forberedelser er nødvendig.

1. Slå på HERU enheten.
 - Hvis enheten har et støpsel, stikker du det i en stikkontakt.
 - Hvis enheten ikke har et støpsel, slår du på strømmen med sikkerhetsbryteren.

2. Vekk opp skjermen ved å koble den tilhørende ladekabelen til skjermen.
Koble ladekabelen via en 220 V adapter til en stikkontakt.

MERK!

Det eksterne displayet er paret ved levering. Hvis det ønskes en ekstra skjerm, må den pares. Se drift og vedlikehold, **4.2 Paring av enheter**.

3. Displayet synkroniserer. Når dette er klart, trykker du på **HERU symbolet** i displayet.
4. Trykk på "**Start enhet**". Enheten starter for første gang med en startsekvens som tar omtrent 15 min.

MERK!

Enheten reagerer ikke på noen kommando før startsekvensen er fullført.

5. Når startsekvensen er fullført, fungerer enheten i henhold til de forhåndsinnstilte verdiene.
6. Kontroller at den nyeste versjonen av fastvaren er installert.
 - Angi **Innstillinger/ Om/Versjon** på den trådløse skjermen.
 - Sammenlign versjonen med den sist publiserte versjonen av fastvaren på <https://www.ostberg.com>.
 - Hvis det finnes en ny versjon av fastvaren, kan du se håndboken for drift og vedlikehold i kapittelet **4.15 Oppdatere programvare**.

5.2 Konfigurering av enheten

Forberedelser:

Gå gjennom trinnene i innstillingsprotokollen før konfigurering, se **10 Konfigurasjonsprotokoll for HERU S og HERU T**. Etter konfigurering overdras protokollen til brukeren for oppbevaring på et sikkert sted.

Forbered konfigureringen ved å ha verdier for følgende parametere for hånden:

- Type varmer
- Ønsket reguleringsmetode
- Maksimumsgrense for temperaturreferanseverdi
- Temperaturgrenser for tilluft
- Holdetemperatur og grenser for frostvern
- For **Bryterfunksjon for inngang**: hvis normalt åpen (NO) eller normalt lukket (NC) for:
 - Brannalarm
 - Pumpealarm
 - Boost
 - Overtrykk
 - Forlenget drift
 - Borte-modus
 - Filter
- Bryterens inngangssignaltyper for **Forsterking, Borte** og **Forlenget drift**.
- **Alarmklasse**: A eller B.
- **Advarselsalarmrelé**: på/av
- **Strømningsretning**
- **Standard viftehastighet** for **Tilluft** og **Avluft**
- **Min viftehastighet** for **Tilluft** og **Avluft**
- **Maks viftehastighet** for **Tilluft** og **Avluft**
- **Filterkontroll: Tidsur**

1. Åpne hovedmeny, velg **Service**.
2. Logg inn. Skriv inn kode 1991.
3. Velg **Guide**.
4. Klikk **OK** i dialogboksen som vises.
5. Følg veiledningen for å angi alle innstillingene.
6. Klikk på knappen **Bekreft**.
7. Gå tilbake til hovedmeny. Klikk på pilen i nedre venstre hjørne eller på hovedmeny-knappen i øvre, venstre hjørne.
8. Gå tilbake til startskjermen. Klikk på **X** i øvre venstre hjørne.

5.3 Tilpasning av enheten for luftstrøm i motsatt retning

Forberedelser:

- HERU S kun: Den elektriske varmeren må monteres for luftstrøm i motsatt retning. Ingen andre forberedelser er nødvendig.

1. Åpne hovedmeny, velg **Service**.
2. Logg inn. Skriv inn kode 1991.
3. Velg **Viffteregulering**.
4. Klikk **OK** i dialogboksen som vises.
5. I alternativet **Strøm** velg **Motsatt**.
6. Gå tilbake til hovedmeny. Klikk på pilen i nedre venstre hjørne eller på hovedmeny-knappen i øvre, venstre hjørne.
7. Gå tilbake til startskjermen. Klikk på **x** i øvre venstre hjørne.

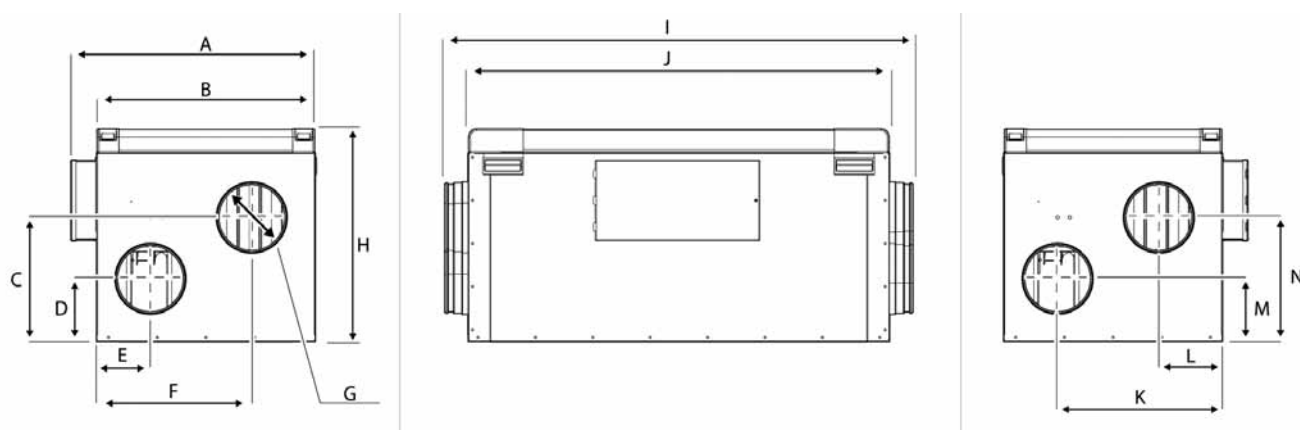
5.4 Konfigurering av enheten til Modbus

Forberedelser:

- ID og overføringshastighet må samsvare med kundens innstillinger. Ingen andre forberedelser er nødvendig.

1. Last ned det komplette Modbus-registret her: <https://www.ostberg.com>.
2. Åpne hovedmeny, velg **Service**.
2. Logg inn. Skriv inn kode 1991.
3. Velg **Kommunikasjon**.
5. I alternativet **Modbus** angi følgende verdier:
 - Adresse
 - Baud
 - Stoppbit
 - Paritet
6. Gå tilbake til hovedmeny. Klikk på pilen i nedre venstre hjørne eller på hovedmeny-knappen i øvre, venstre hjørne.
7. Gå tilbake til startskjermen. Klikk på **x** i øvre venstre hjørne.

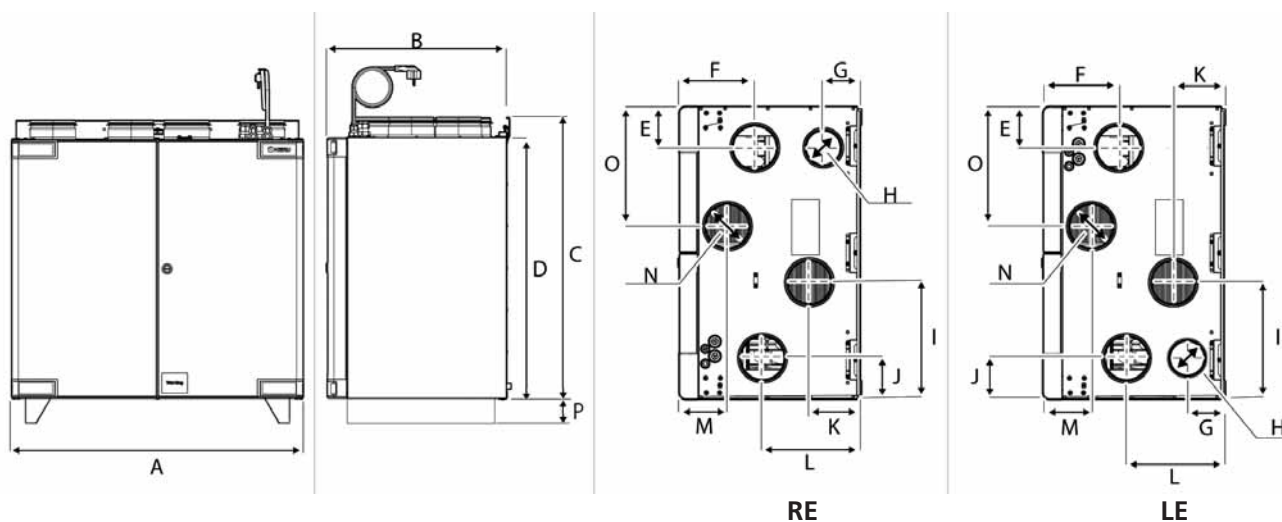
6 Tekniske data



HERU S

	HERU 100 S EC	HERU 160 S EC	HERU 200 S EC	HERU 300 S EC
Total effekt (W)	1420	2020	2620	2930
Vekt (kg)	60	80	96	99
Dimensjoner (mm)				
A	562	631	740	740
B	507	574	683	683
C	285	346	497	497
D	145	176	199	199
E	124	152	182	182
F	357	405	494	494
G	Ø 160 (4x)	Ø 200 (4x)	Ø 250 (4x)	Ø 250 (4x)
H	488	570	679	679
I	1075	1236	1352	1352
J	969	1131	1250	1250
K	379	418	498	498
L	146	165	186	186
M	145	176	199	199
N	285	346	497	497

For ytterligere tekniske data se <https://www.ostberg.com>.

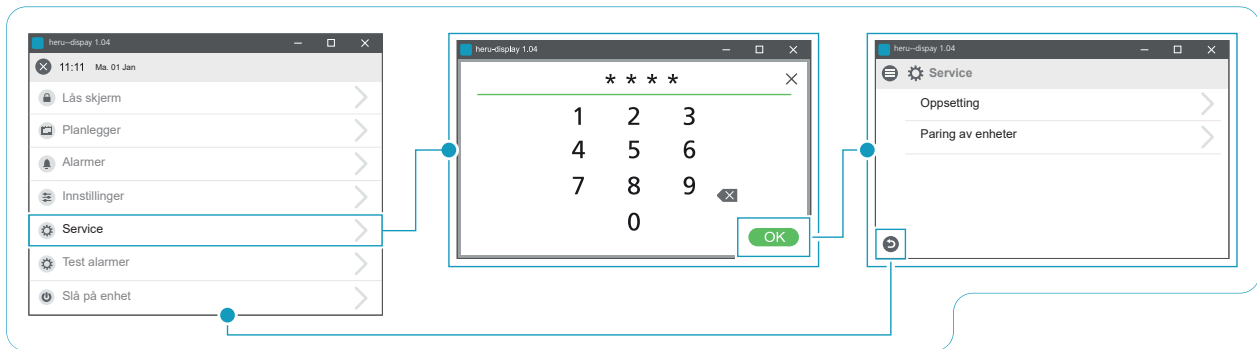


HERU T

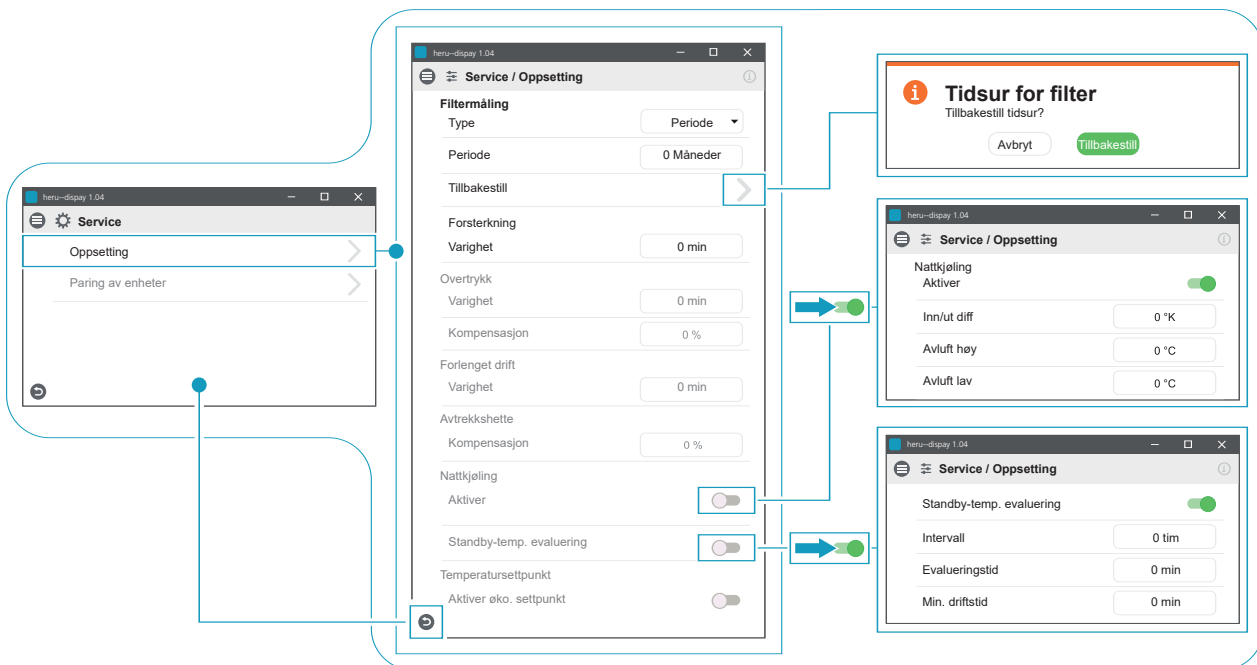
	HERU 100 T EC	HERU 160 T EC	HERU 200 T EC	HERU 300 T EC
Total effekt (W)	1420	2020	2620	2930
Vekt (kg)	70	98	135	138
Dimensjoner (mm)				
A	796	942	1124	1124
B	492	559	682	682
C	759	919	1135	1135
D	705	865	1082	1082
E	113	132	177	177
F	204	249	255	255
G	101	113	–	–
H	Ø 100 (1x)	Ø125 (1x)	–	–
I	318	370	442	442
J	112	130	174	174
K	138	138	474	474
L	265	310	250	250
M	130	149	479	479
N	Ø 125 (4x)	Ø 160 (4x)	Ø 250 (4x)	Ø 250 (4x)
O	326	372	446	446
P	–	–	100	100

For ytterligere tekniske data se <https://www.ostberg.com>.

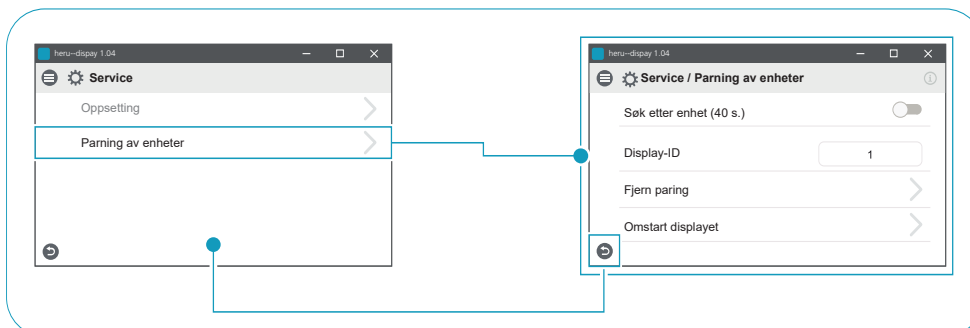
7 Velg Menyoversikt



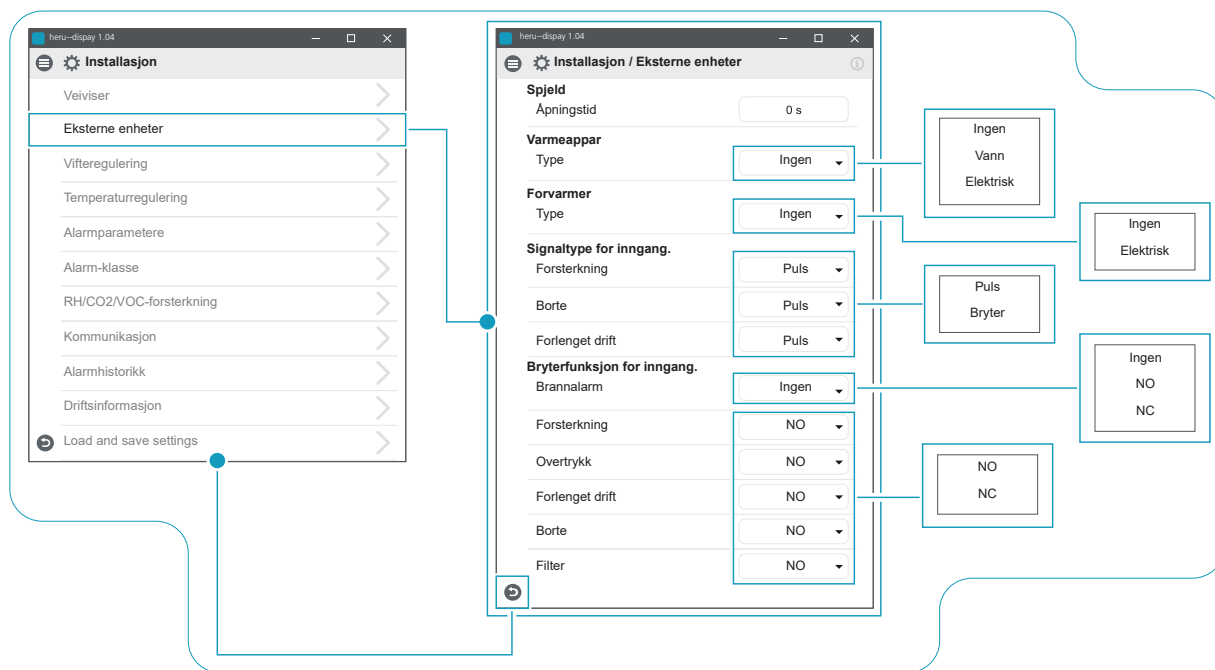
Service > Passord > Service



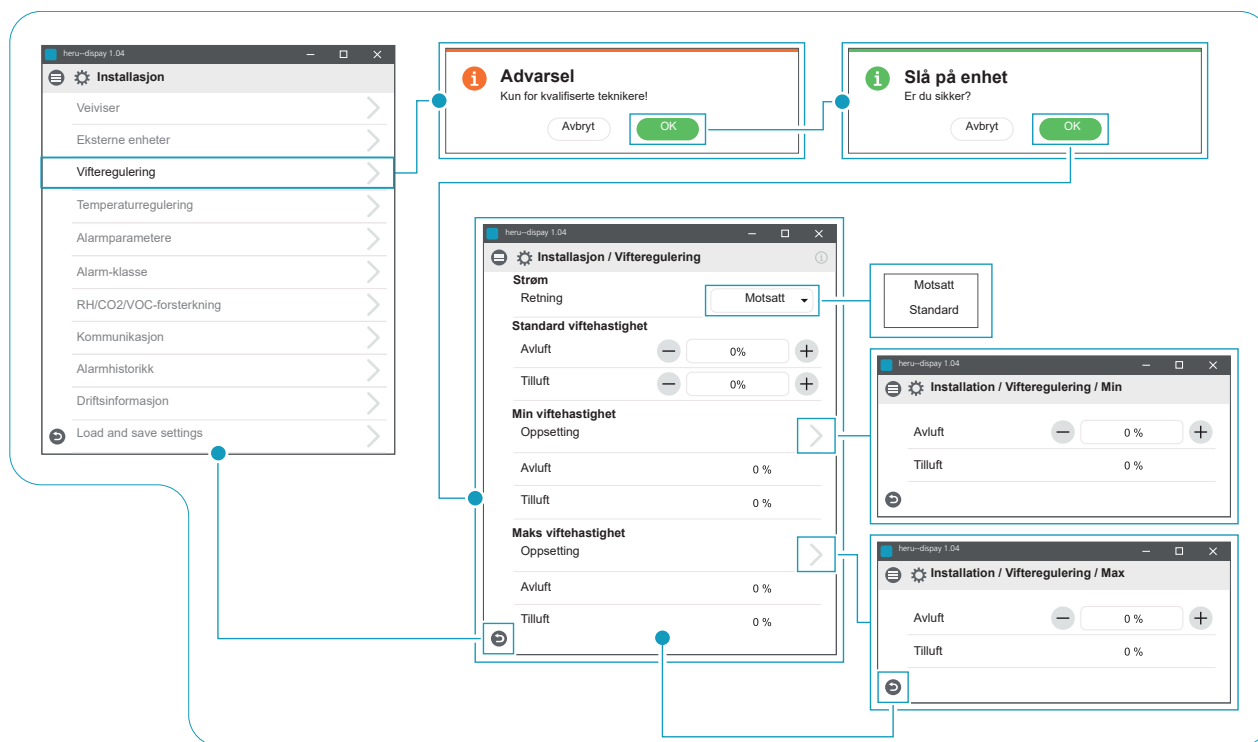
Service > Oppsetting



Service > Paring av enheter



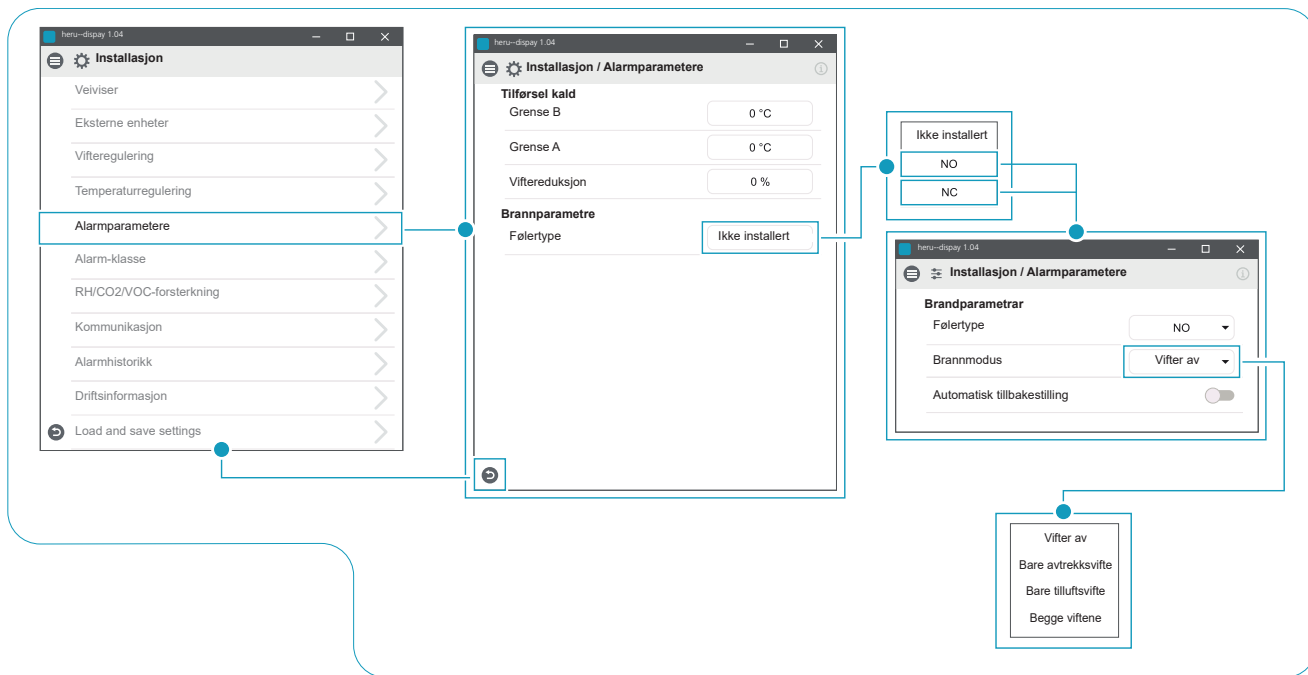
Installasjon > Installasjon / Eksterne enheter



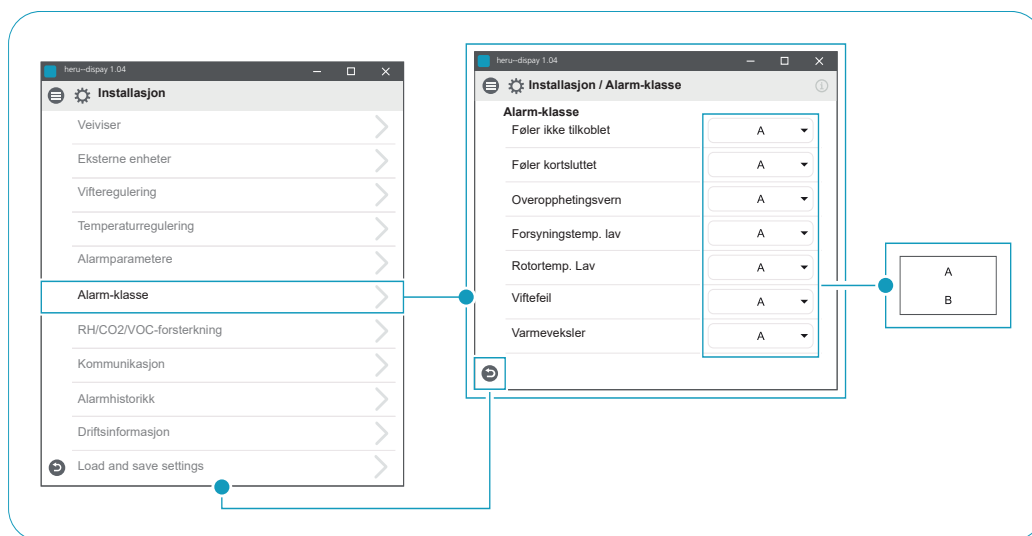
Installasjon > Installasjon / Viferegulering



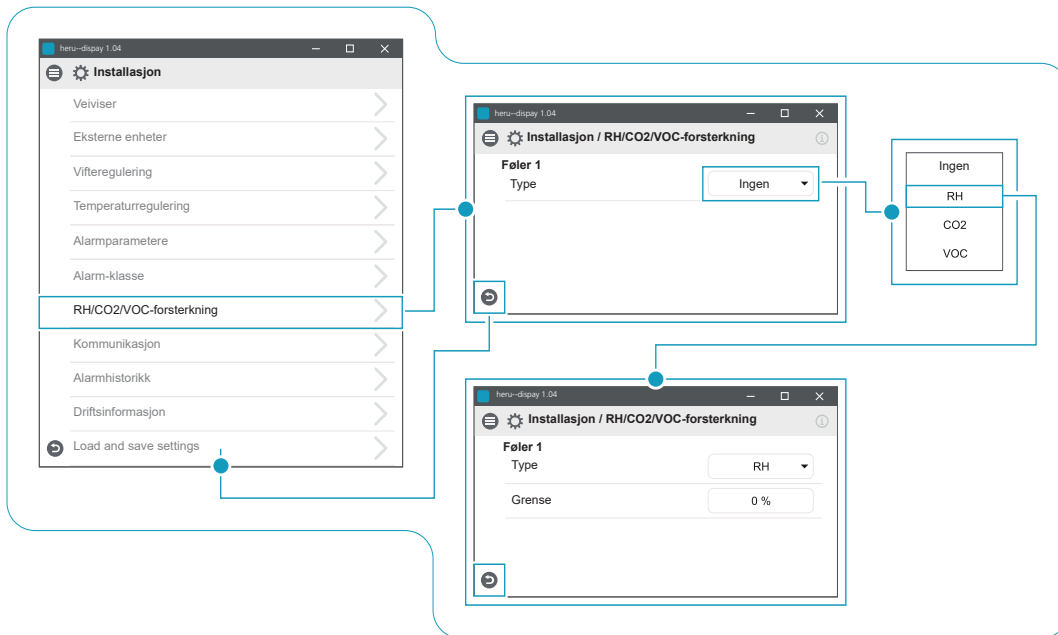
Installasjon > Installasjon / Temperaturregulering



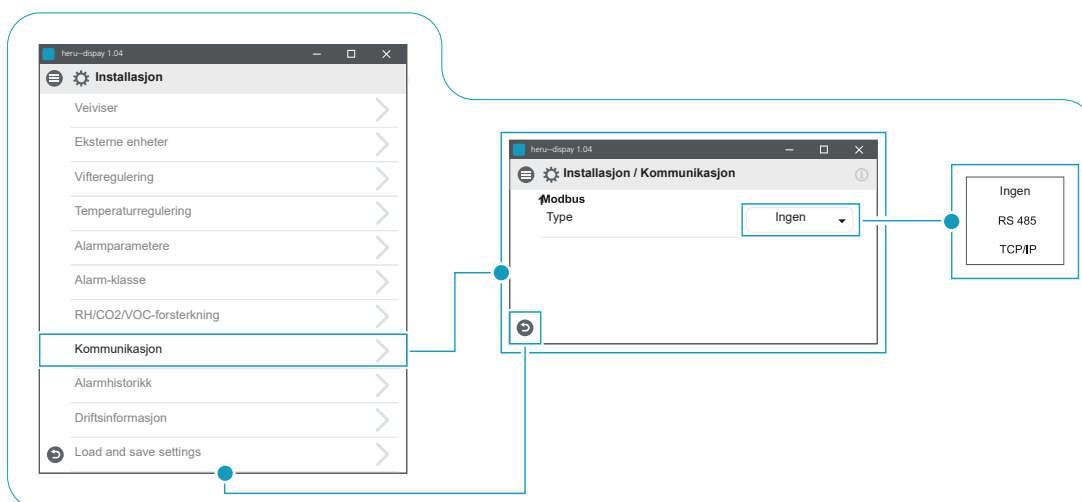
Installasjon > Installasjon / Alarmparametere



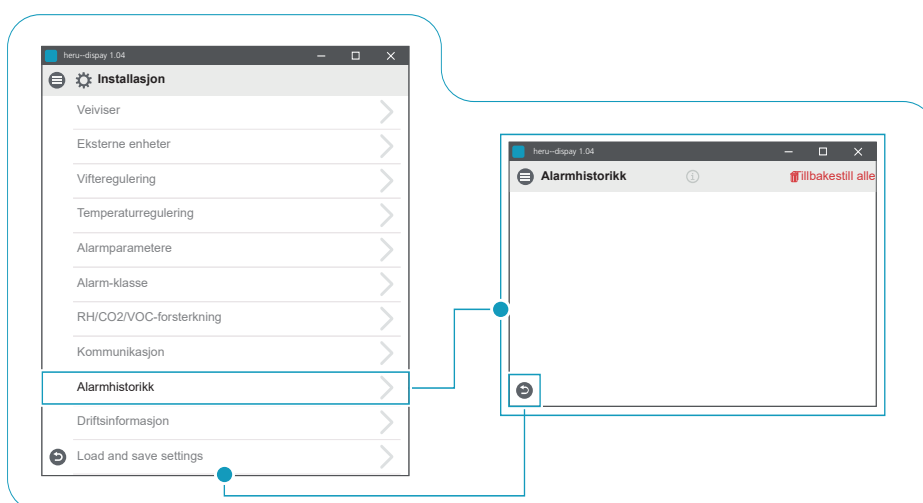
Installasjon > Installasjon / Alarm-klasse



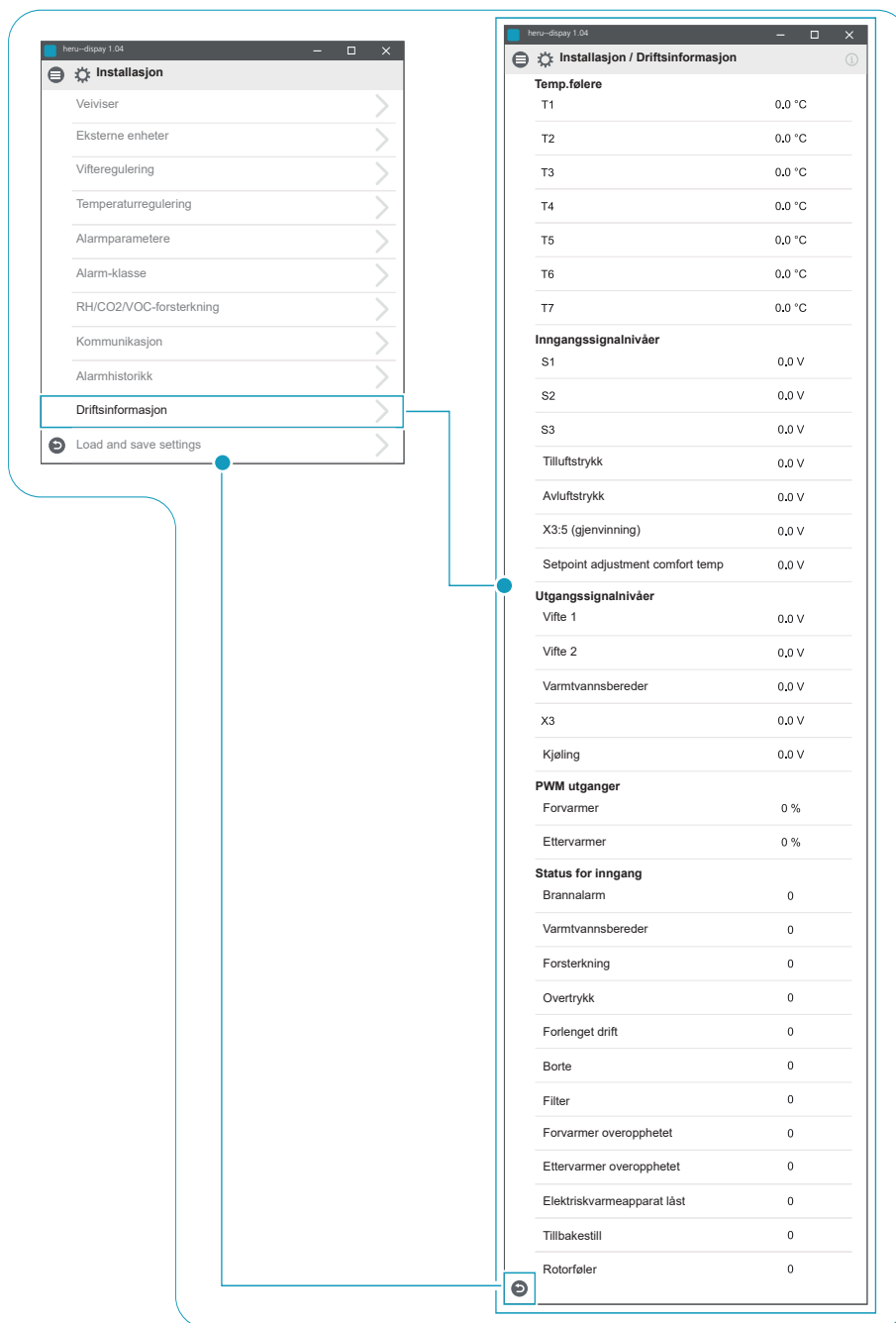
Installasjon > Installasjon / RH/CO2/VOC-forsterkning



Installation > Installation / Kommunikasjon

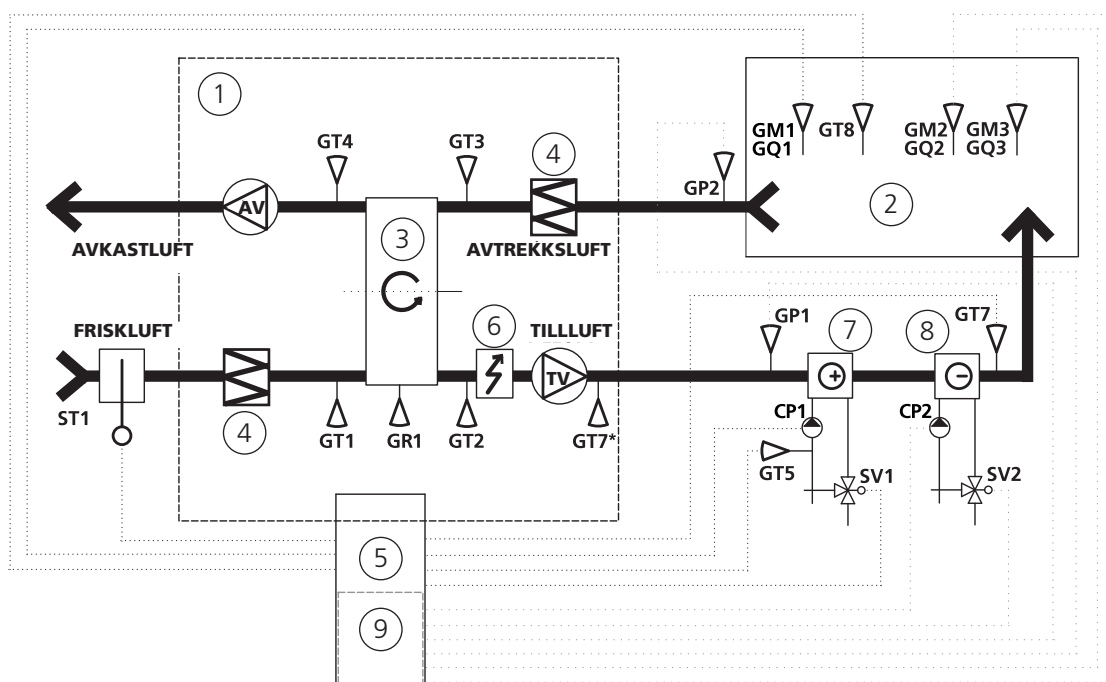


Installasjon > Installasjon / Alarmhistorikk



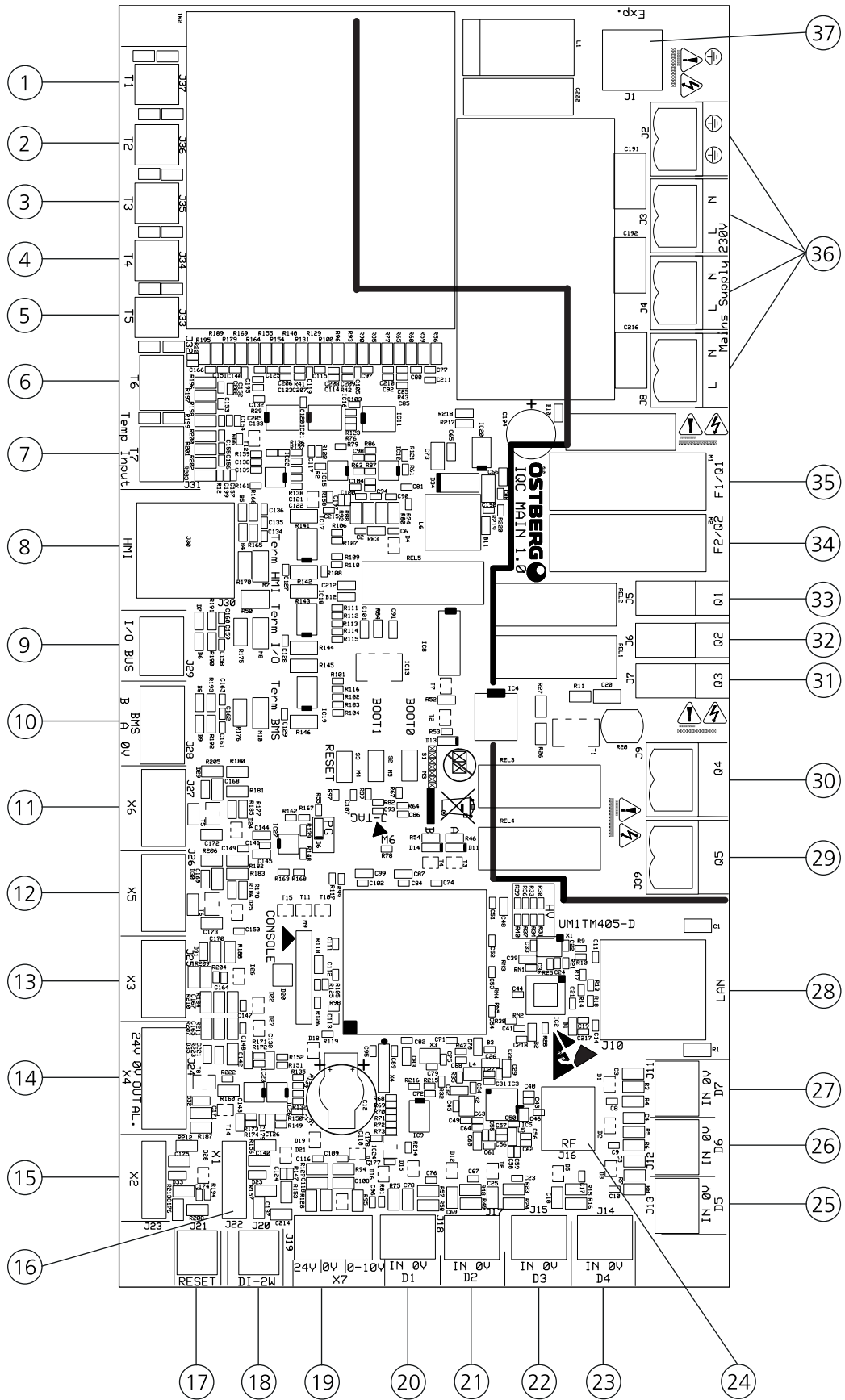
Installasjon > Installasjon / Driftsinformasjon

8 Styreskjema



- ① HERU-enhet
- ② Rom
- ③ Roterende varmeveksler
- ④ Filtre
- ⑤ Kontrollenhet med relé-kort
- ⑥ Elektrisk varmer
- ⑦ Varmebatteri
- ⑧ Kjølebatteri
- ⑨ Elektrisk utvidelse PCB

9 Tilkoplinger hovedkortet



Pos.	PCB etikett	Beskrivelse
①	T1	Interne temperaturføler
②	T2	Interne temperaturføler
③	T3	Interne temperaturføler
④	T4	Interne temperaturføler
⑤	T5	Frostbeskyttelse
⑥	T6	Kanalføler tilluft (GT7)
⑦	T7	Romsføler (GT8)
⑧	HMI	Display port RJ45 (svart)
⑨	I/O Bus	I/O Bus
⑩	BMS	RS 485 Modbus (slav)
⑪	X6	Forvarmer signalutgang
⑫	X5	Ettervarmer signalutgang
⑬	X3	Rotormotor signalutgang
⑭	X4	Varmebatteri signalutgang (Analog ut 0-10V / 24VAC 1,5VA)
⑮	X2	Vifte 2 signalutgang
⑯	X1	Vifte 1 signalutgang
⑰	Reset	Extern Reset
⑱	DI-2W	Rotorføler (HALL)
⑲	X7	RH/CO2/VOC (Analog in 0-10V / 24VAC 1,3VA)
⑳	D1	Brannalarm (Digital in (potentialfri))
㉑	D2	Forsterkning (Digital in (potentialfri))
㉒	D3	Overtrykk (Digital in (potentialfri))
㉓	D4	Forlenget drift (Digital in (potentialfri))
㉔	RF	SMA antenne utgang
㉕	D5	Borte-modus (Digital in (potentialfri))
㉖	D6	Filtrealarm (Digital in (potentialfri))
㉗	D7	Interlocking elektrisk ettervarmer (Digital in (potentialfri))
㉘	LAN	10/100 Mbit Ethernet RJ-45
㉙	Q5	
㉚	Q4	Spjeld (Digital relé utgang (NO))
㉛	Q3	Triac (Digital relé utgang (NO))
㉜	Q2	Vifte 2 strøm (Digital relé utgang (NO))
㉝	Q1	Vifte 1 strøm (Digital relé utgang (NO))
㉞	F2/Q2	Glassikring T2.5A 5x20 L250V vifte 2
㉟	F1/Q1	Glassikring T2.5A 5x20 L250V vifte 1
㊱	L/N	Hovedstrøm 230V
	L/N	Hovedstrøm 230V
	L/N	Hovedstrøm 230V
	PE	Hovedstrøm 230V
㊲	Exp.	Ekspansjonskort strøm ut

10 Konfigurasjonsprotokoll

Fyll ut alle innstillinger for fremtidige behov.

Eksterne enheter

Spjeld

Åpningstid: sek

Varmeapparat

Ingen Vann

Standby temp. °C

Grense B: °C

Grense A: °C

Elektrisk Etterkjøle

Forvarmer

Ingen Elektrisk

Grense: °C

Kjølebatteri

Ja Nei

Signaltype for inngang

Signaltype:

Forsterkning Puls Bytt

Borte Puls Bytt

Forlenget drift Puls Bytt

Kontaktfunksjon:

Brannalarm Ingen NO NC

Forsterkning NO NC

Overtrykk NO NC

Forlenget drift NO NC

Borte NO NC

Filter NO NC

Vifteredulering

Strømretning: Standard Motsatt

Standard viftehastighet:

Avluft: % Referanse: Pa

Tilluft: % Referanse: Pa

Min viftehastighet:

Avluft: % Referanse: Pa

Tilluft: % Referanse: Pa

Maks viftehastighet:

Avluft: % Referens: Pa

Tilluft: % Referens: Pa

Temperaturregulering

Tilluft Utsugning Rom

Tilluftsgrense min: °C

Tilluftsgrense maks: °C

Avluft S/V Rom S/V

Overgang:

Temp.

Start vinter: °C

Start sommer: °C

Tid konstant timer

Tilluftstemp. kompensasjon: K

Dato

Start vinter: (MM-DD)

Start sommer: (MM-DD)

Tilluftstemp. kompensasjon: K

Temperatursettpunkt

Tilluft Utsugning Rom

Settpunkt maks grense: °C

Aktiver øko. settpunkt Ja Nei

Alarmparametere

Tilførsel kald:

Grense B: °C Grense A: °C

Viftereduksjon: %

Frostbeskyttelse vann

Holdtemperatur: %

Grense B: °C Grense A: °C

Alarmparametere

Følertype:

 Ikke installert NO NC

Brandläge:

 Vifter av
 Bare avtrekksvifte
 Bare tilluftsvifte
 Begge viftene

Forsert viftehastighet: %

Automatisk tilbakestilling Ja Nei**Alarm-klasse**

Alarmprioritet:

Føler ikke tilkoblet	<input type="checkbox"/> A	<input type="checkbox"/> B
Føler kortsluttet	<input type="checkbox"/> A	<input type="checkbox"/> B
Overopphetingsvern	<input type="checkbox"/> A	<input type="checkbox"/> B
Forsyningstemp. lav	<input type="checkbox"/> A	<input type="checkbox"/> B
Rotortemp. lav	<input type="checkbox"/> A	<input type="checkbox"/> B
Viftefeil	<input type="checkbox"/> A	<input type="checkbox"/> B
Varmeveksler	<input type="checkbox"/> A	<input type="checkbox"/> B

Advarsler alarmrelé

Brannalarm	<input type="checkbox"/>
Føler ikke tilkoblet	<input type="checkbox"/>
Føler kortsluttet	<input type="checkbox"/>
Overopphetingsvern	<input type="checkbox"/>
Frostbeskyttelse	<input type="checkbox"/>
Tilluftstemp. lav	<input type="checkbox"/>
Rotortemp. lav	<input type="checkbox"/>
Viftefeil	<input type="checkbox"/>
Varmeveksler	<input type="checkbox"/>
Avviket trommeltrykk	<input type="checkbox"/>
Pumpalarm	<input type="checkbox"/>
Filtre	<input type="checkbox"/>
Filtertimer	<input type="checkbox"/>

Filtermåling Timer

Periode: måneder

 Planlagt

Dag: %

Tid: %

 Signal

Forsert viftehastighet: %

RH/CO2/VOC Forsterkning Ja Nei

Sensor 1:

 Ingen RH CO2 VOC

Grense: %

Navn/Loc:

energy
efficient
ventilation

ÖSTBERG 

H ÖSTBERG AB

Box 54, SE-774 22 Avesta, Sweden

Phone: +46 226 860 00

E-mail: info@ostberg.com

www.ostberg.com